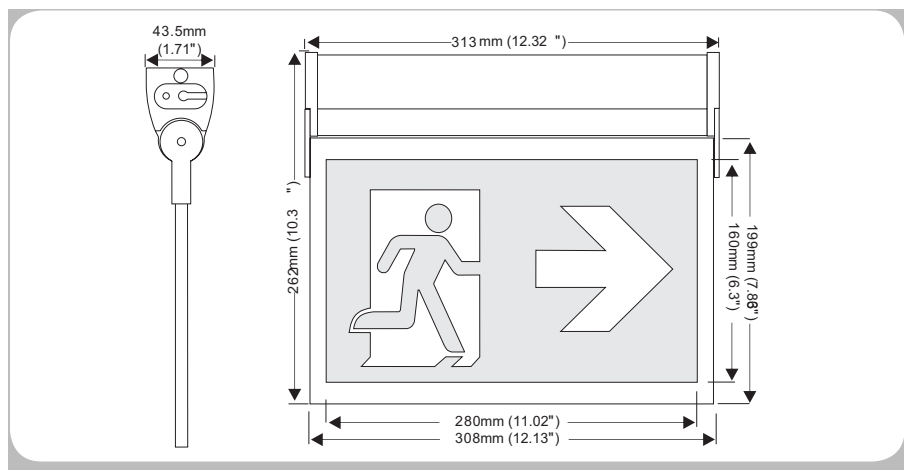


1. DESCRIPTION:

This edge-lit running man is developed with modern design, constructed of aluminum and PC panel, ease of installation. High quality Led light source is distributed evenly on pictogram sign. 180-degree rotation trims with standard universal surface mount. Standard sandblast finishes with optional brush finish and white powder coat finish. Universal canopy included for standard surface mount.

2. CIRCUITRY:

Models Input voltage	EL-7008MA	Specifications	
AC120VAC 50/60Hz	Input Wattage 3W	Emergency duration: ≥ 2	
	Input Current 0.24A	Hours Recharge time: 2 Hours	
	Efficiency 98%	Output Wattage: 1W	
AC277VAC 50/60Hz	Input Wattage 3.5W	Light Source: Ultra bright LED	
	Input Current 0.01A	Color temperature: 6500K-7500K	
	Efficiency 93%	Ni-cad Battery: 3.6V 1000mAh jj	
AC347VAC 50/60Hz	Input Wattage 4W	Product Size: 313x 262 x 43.5 /mm (12.32 x 10.3 x 1.7 /in)	
	Input Current 0.017A		
	Efficiency 92%		

3. PRODUCT SIZE:

4. ATTENTION:

IMPORTANT SAFETGUARDS When using electrical equipment, basic safety precautions should always be followed, including the following:

1. Read and follow all safety instructions.
2. Disconnect power before performing work on electrical equipment.
3. Do not use outdoors
4. Do not let power cords touch hot surfaces.
5. Do not install near gas or electric heaters.
6. The use of accessory equipment not recommended by manufacturer, may cause damage and will void the unit's warranty.
7. Do not use this equipment for other than its intended purpose.
8. Servicing of this equipment should be performed by qualified service personnel.
9. Equipment should be mounted in locations and at heights where it will not readily be subjected to at tampering by unauthorized personnel.

INSTRUCTIONS

5. INSTALLATION INSTRUCTIONS:

Ceiling Mount (see Fig.1)

Surface Wall Mount (see Fig.2)

1. Attach spider plate/crossbar to junction box, use screws if needed
2. Feed AC supply wires through canopy center hole
3. Assemble canopy onto aluminum housing with screws (supplied) and make proper wire connections
4. Black Wire (L); White Wire (N); Green Wire (G/E)
5. Use screws (supplied) to tighten canopy to mounting plate (spider plate/cross bar). Carefully put wires back into the j-box.
6. The unit is universal mount, you may rotate the sign face in any angle from 0 degree to 180 degree.

End Mount (see Fig.3)

7. Attach spider plate/crossbar to junction box, using screws if needed
8. Remove the opposite mounting end cap and knock out the holes on the cap.
9. Pull out all AC supply wires and feed wires through the holes of end cap (first) and then canopy.
10. Assemble canopy and end cap to metal bracket with screws (supplied) and make proper wire connections.
11. Using screws (supplied) tighten canopy to spider plate (crossbar).
12. Install white cap at the top of the cable entrance hole.
13. The unit is universal mount, you may rotate the sign face in any angle from 0 degree to 180 degree.

Change Running Man Pictogram (see Fig.5) (Fig.5.2)

14. Unbolt the faceplate from the trim assembly
15. Slide faceplate assembly out of the trim assembly: pictogram, styrene, Acrylic with dots on both sides
16. Exchange pictogram

Battery Connection: (Fig.6)

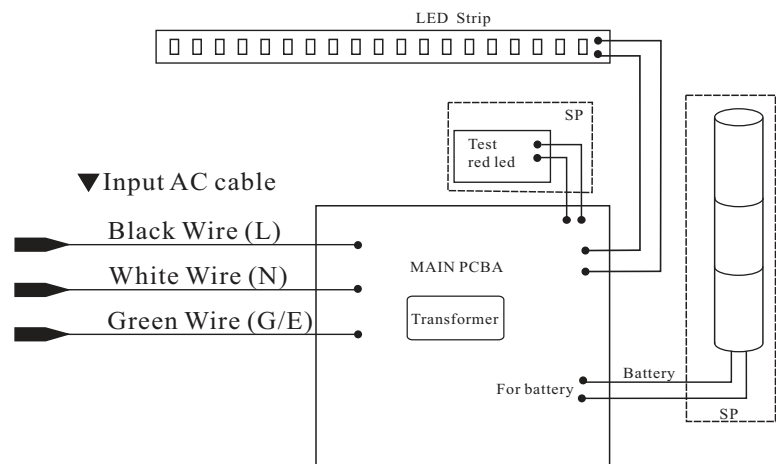
17. Use flat tool to open the housing cover (There is groove at the end of housing)
18. Connect the battery to connector on the charger board
19. Reinstall the cover

WIRING DIAGRAM

AC Wiring

Working voltage: 120V-347V 50Hz/60Hz

Black Wire (L)
White Wire (N)
Green Wire (E)



INSTRUCTIONS

SP WIRING

Black Wire (L)
AC120V-347V
White Wire (N)
Green Wire (E)

SP Wiring

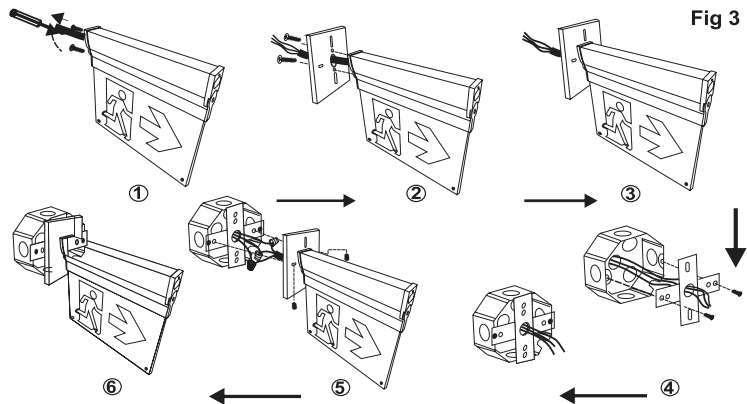
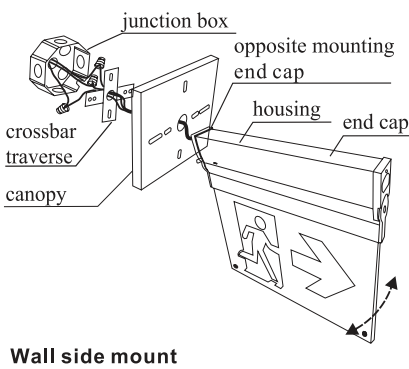
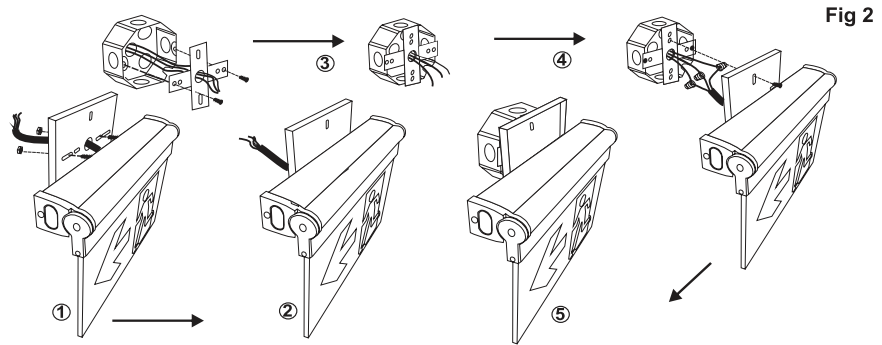
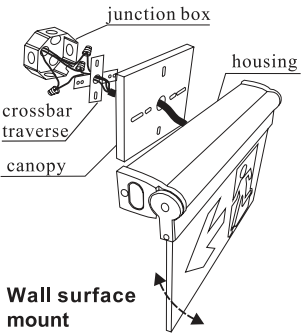
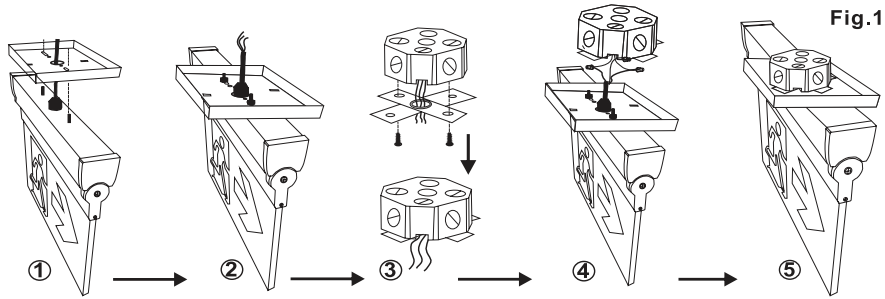
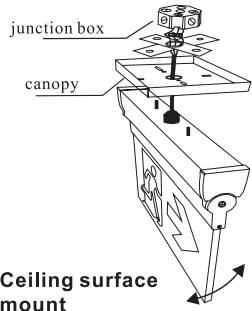
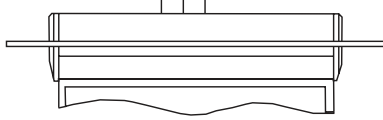
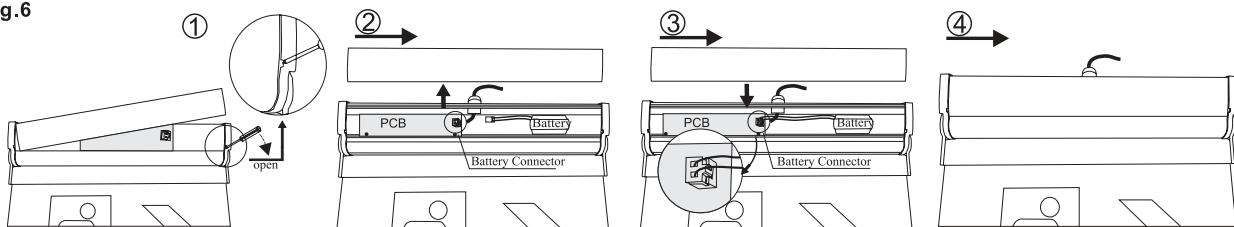
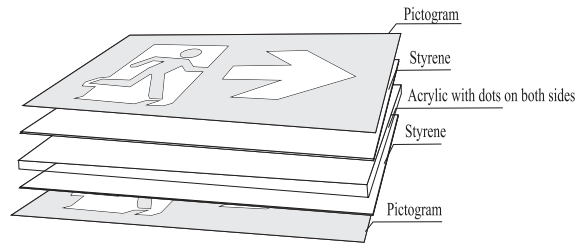
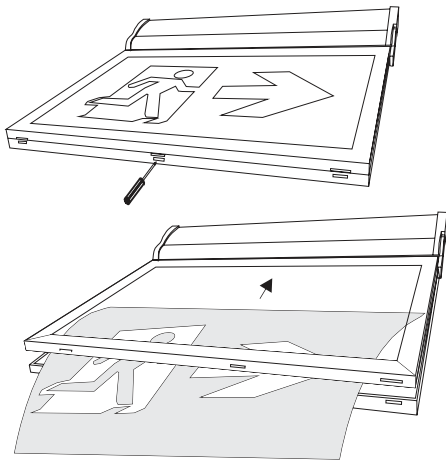


Fig. 6



INSTRUCTIONS

Fig.5.2



1. Open the plastic frame
2. Insert fiber from both sides
3. Put back the frame

! DO NOT TAKE APART THE FRAME

1. Select appropriate stencil and install stencil face into frame.
2. For single face option, place the back panel at back of the unit for optimum luminance.

EL-700MA