

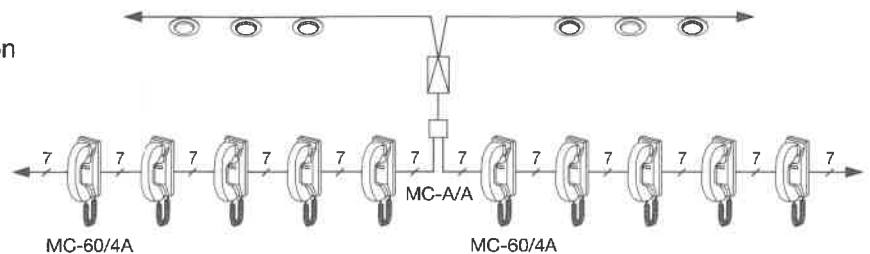
## MC-60/4 MARKET-COM ADAPTOR

Model; **MC-A/A**

### INSTALLATION & OPERATION MANUAL

## 1 SYSTEM OUTLINE & FEATURES

MC-A/A is a Market-Com Adaptor for Aiphone's MC-60/4A paging & communication intercom system.

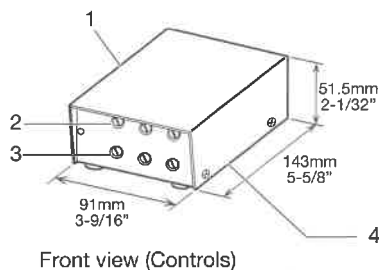


### FEATURES

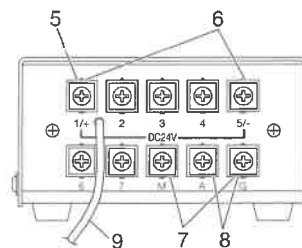
MC-A/A Market-Com adaptor handles max. 4 communication channels and a separate paging operation.

- ☆ One MC-A/A adaptor controls max. 60 MC-60/4A phone stations. Has inputs for background music.
- ☆ MC-A/A adaptor has treble, bass & volume controls for paging & background music.
- ☆ Pre-page chime tone, adjustable
- ☆ Connects to any standard paging amplifier.

## 2 NAMES AND FUNCTIONS



Front view (Controls)



Back view (Connections)

Check the package contents before installation	
• MC-A/A unit	1 unit
• Mounting bracket	1 pc
• Screws for mounting to gang box	2 pcs
• Wood screws for surface-wall mounting	2 pcs
• Installation & Operation Manual	

1 Case

2 Music volume, bass & treble controls

3 Paging volume, bass & treble controls

4 Page pre-tone volume control

5 Phone wiring input (# 1 ~ 7)

6 Plus & minus input

7 M & G (background music) input

8 A & G (paging amplifier) output

9 Lead wire (Brown)

## 3 INSTRUCTIONS ON INSTALLATION & WIRING

MC-A/A adaptor is designed for MC-60/4A Market-Com system.

### Wiring

With cable run from each of max. 6 phone blocks, connect all the terminals together with matching wires, in strict accordance with color code designated for wire numbers 1 ~ 7.

### Mounting

MC-A/A unit is provided with a mounting bracket, which mounts to single-gang box or wall surface with either of two screws supplied. Then, insert the prongs of the bracket into the holes of the chassis and pull down until it locks.

### Pre-tone volume

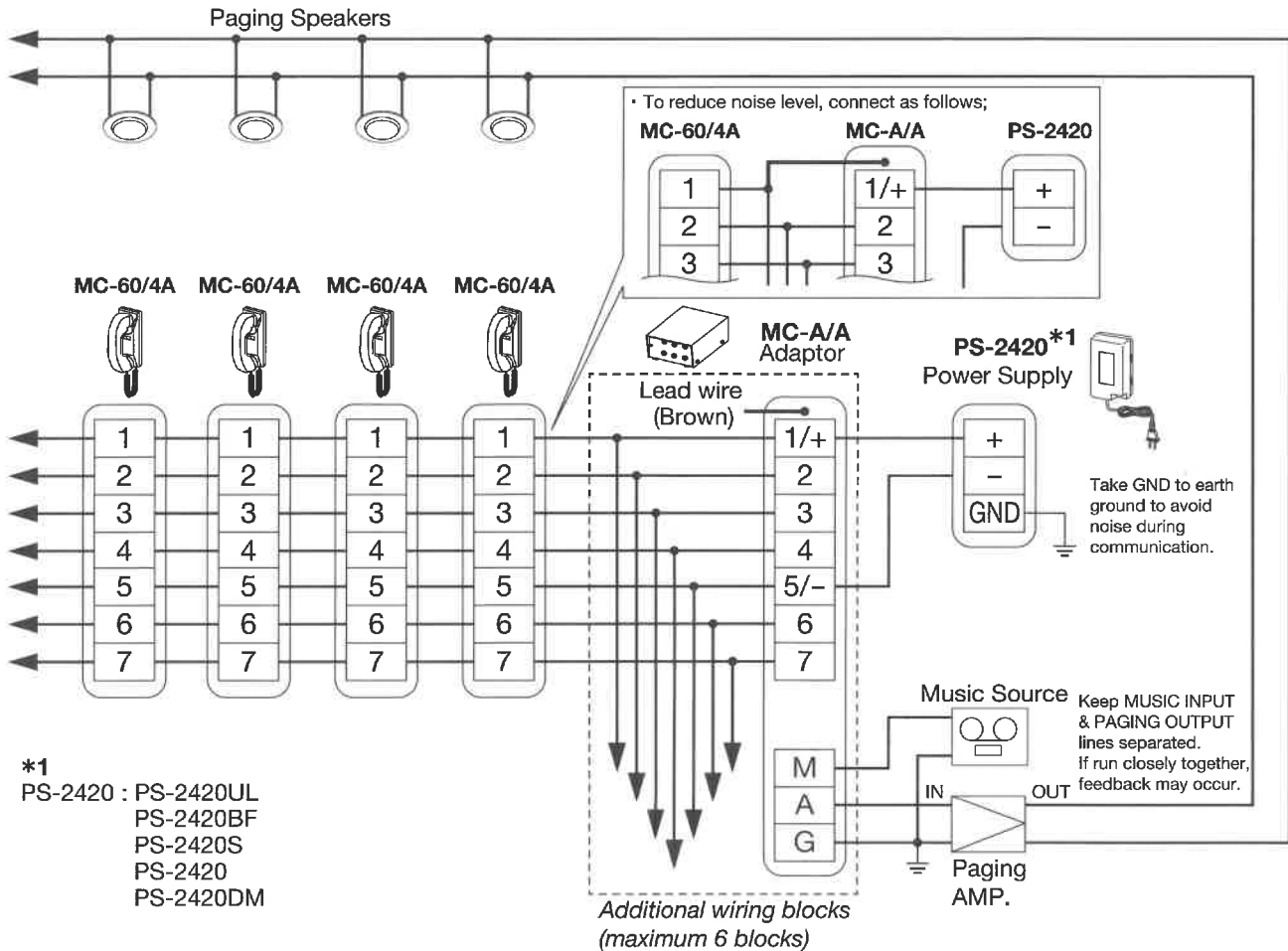
Page pre-tone volume control is located on back of chassis. Adjusts chime volume over a pre-determined dB range.

### Adjusting paging output

Adjust amplifier output control to mid-range. Adjust MC-A/A output volume, bass & treble control to mid-range. Test paging and adjust controls of MC-A/A to desired volume, bass & treble resolution.

## 4 WIRING DIAGRAM

- 1) Seven wires per MC-60/4A phone block.
- 2) Total of 60 MC-60/4A phones per system.
- 3) Maximum of 10 MC-60/4A phones per block.
- 4) PS-2420 power supply must be wired to MC-A/A, not to phones.
- 5) Connect A & G terminals of MC-A/A to Auxiliary input of a standard paging amplifier.
- 6) Connect M & G terminals of MC-A/A to output of background music source (Ground can be wired in common).



## 5 SPECIFICATIONS

<b>Power source:</b>	DC 24V. Use a PS-2420 power supply.
<b>Wiring:</b>	See wiring diagram.
<b>Amplifier input requirements:</b>	AUX; 10K ohm, 0.3V ~ 0.5V
<b>Music source output requirements:</b>	Range; 100mV ~ 1.2V, 10K ohm or less
<b>Dimensions (H x W x D):</b>	51.5 mm x 91 mm x 143mm; 2-1/32" x 3-9/16" x 5-5/8".
<b>Weight:</b>	Approx. 530g (1.17 lbs)

### WARRANTY

Aiphone warrants its products to be free from defects of material and workmanship under normal use and service for a period of 2 years after delivery to the ultimate user and will repair free of charge or replace at no charge, should it become defective upon which examination shall disclose to be defective and under warranty. Aiphone reserves unto itself the sole right to make the final decision whether there is a defect in materials and/or workmanship; and whether or not the product is within the warranty. This warranty shall not apply to any Aiphone product which has been subject to misuse, neglect, accident, power surge, or to use in violation of instructions furnished, nor extended to units which have been repaired or altered outside of the factory. This warranty does not cover batteries or damage caused by batteries used in connection with the unit. This warranty covers bench repairs only, and any repairs must be made at the shop or place designated in writing by Aiphone. This warranty is limited to the standard specifications listed in the operation manual. This warranty does not cover any supplementary function of a third party product that is added by users or suppliers. Please note that any damage or other issues caused by failure of function or interconnection with Aiphone products is also not covered by this warranty. Aiphone will not be responsible for any costs incurred involving on site service calls. Aiphone will not provide compensation for any loss or damage incurred by the breakdown or malfunction of its products during use, or for any consequent inconvenience or losses that may result.

The illustrations used in this manual may differ from the actual product.


**AIPHONE**<sup>®</sup>  
 Providing Peace of Mind  
<https://www.aiphone.net/>  
**AIPHONE CO., LTD., NAGOYA, JAPAN**