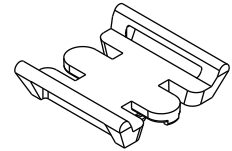
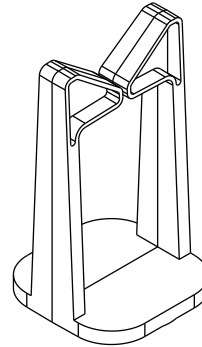
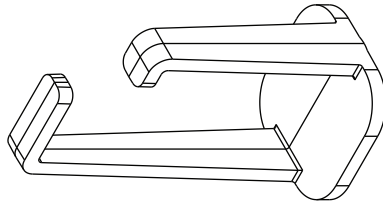
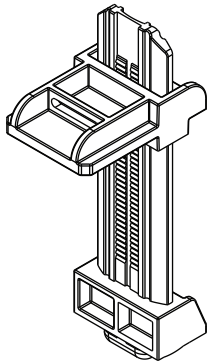


INSTRUCTION SHEET
FORWARD BY MIDDLE ATLANTIC
CABLE MANAGEMENT AND SMALL DEVICE MOUNTING OPTIONS



THANK YOU

Thank you for purchasing the Forward Cable Management or Small Device Mounting option by Middle Atlantic Products. Please read these instructions thoroughly before installing or assembling this product.

PRODUCT FEATURES

- Pop and Twist! Install your Forward cable management and small device mounting anywhere the patented universal hole pattern is located without any hardware.
- Ultimate cable routing and small device mounting flexibility.
- Colored blue to easily locate pieces in the enclosure for future adds, moves, or changes.



IMPORTANT SAFETY INSTRUCTIONS

- Read these instructions.
- Heed all warnings.
- Clean only with dry cloth.
- Keep these instructions.
- Follow all instructions.
- Only use attachments/accessories specified by the manufacturer.



WARNING: A warning alerts you to a situation that could result in serious personal injury or death.



WARNING: Middle Atlantic Products, Inc. electrical systems conform to and should be properly grounded in compliance with requirements of the current National Electrical Code or codes administered by local authorities. All electrical products may present a possible shock or fire hazard if improperly installed or used. Middle Atlantic Products, Inc. electrical products may bear the mark of a Nationally Recognized Testing Laboratory (NRTL) and should be installed in conformance with current local and/or the National Electrical Code.



WARNING: Failure to read, understand and follow the following information can result in serious personal injury, damage to the equipment or voiding of the warranty. It is the responsibility of the Installer/User to ensure that this product is loaded according to specifications.

INSTRUCTIONS IMPORTANTES SUR LA SÉCURITÉ

- Lire ces instructions.
- Respectez tous les avertissements.
- Nettoyer uniquement avec un chiffon sec.
- Conservez ces instructions.
- Suivez toutes les instructions.
- N'utilisez que des accessoires spécifiés par le fabricant.



AVERTISSEMENT: Un avertissement vous avertit d'une situation pouvant entraîner des blessures graves ou la mort.



AVERTISSEMENT: Middle Atlantic Products, Inc. électrique systèmes conformes à devraient être mis à la terre dans conformité avec les exigences de la National actuelle ou comme les codes électrique administré par les autorités locales autorités. Tous les produits électriques peuvent présenter un choc ou un incendie danger si elle est mal installé ou utilisé. Middle Atlantic Products, Inc. produits électriques peuvent porter la marque d'un Nationally Recognized Testing Laboratory (NRTL) et doit être installé en conformité avec courant local et/ou le National Electrical Code.



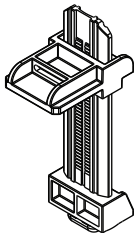
AVERTISSEMENT: Refus de lire, comprendre et suivre la renseignements suivants peut traduire par de graves blessures, des dommages à l'équipement ou invalider la garantie. Il est la responsabilité de l'installateur / utilisateur de s'assurer que ce produit est chargé conformément aux spécifications.

SUPPLIED COMPONENTS AND HARDWARE

NOTE: This instruction sheet covers similar small device mounting and cable management options.

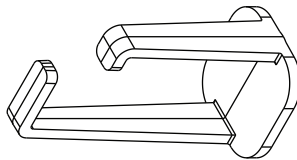
Each option is sold separately; therefore, components are provided based on the specific items you purchased.

SMALL DEVICE SIDE CLAMP (MODEL NO. FWD-SIDECLMP-4)



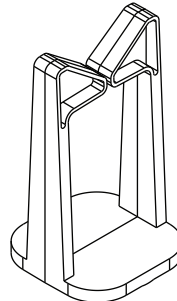
(4x) Small Device
Mounting Side Clamp
A

D-RING (MODEL NO. FWD-D-RING)



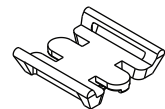
D-Ring
B

C-RING (MODEL NO. FWD-C-RING)



C-Ring
C

HOOK AND LOOP SADDLES (MODEL NO. FWD-TSW-15)



(15x) Hook and Loop
Tie Saddle
D

REQUIRED TOOLS

- Tin Snips or Cutting Pliers
- File



WARNING: Use tools with caution and follow all necessary safety protocols.

AVERTISSEMENT: Utiliser des outils avec prudence et suivre tous les protocoles de sécurité nécessaires.

INSTALLING YOUR OPTION

NOTE: While this topic shows the general installation using a side clamp option (A), all the cable management and small device mounting options install in the same manner. The application of each option is what makes them unique. For more information, see “Understanding Cable Management Applications” on page 4 or “Mounting a Small Device Using the Side Clamps” on page 5.

1. Hold your option so that the obround protrusion on the base is exposed. (**FIGURE A**)

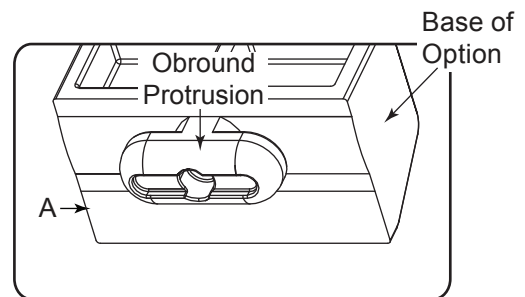


FIGURE A

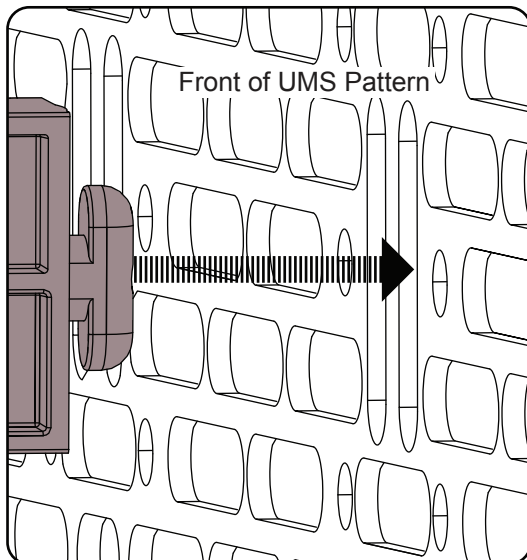


FIGURE B

2. Push the obround protrusion through any obround opening in your desired location on any universal mounting system (UMS) pattern. (**FIGURE B**)

NOTE: Option is shaded when next to UMS pattern for clarity.

3. When the obround protrusion clears the UMS pattern depth, twist the option $\frac{1}{4}$ turn to tighten it into place. (**FIGURE C**)

NOTE: Select obround openings on any UMS pattern that allow you to slide your option in desired directions, if necessary. (**FIGURE D**)

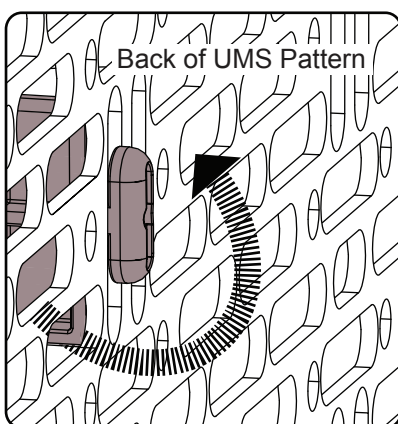


FIGURE C

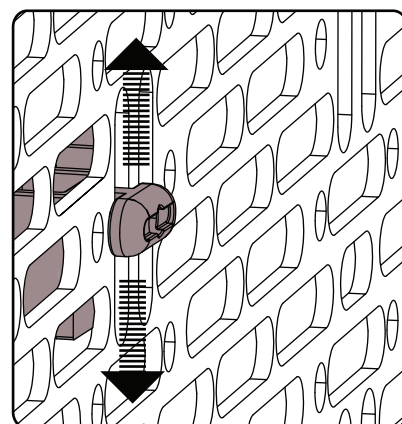


FIGURE D

UNDERSTANDING CABLE MANAGEMENT APPLICATIONS

NOTE: After being installed properly, your cable management options are designed to provide the following application solutions:

- The D-Ring option (B) is designed for horizontal cable management. (**FIGURE E**)
- The C-Ring option (C) is designed for vertical cable management. (**FIGURE F**)

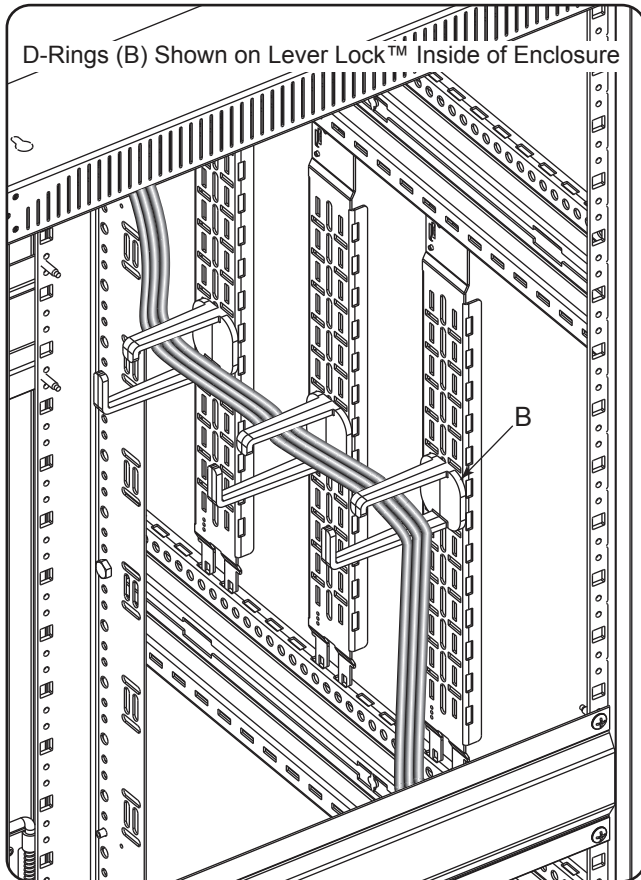


FIGURE E

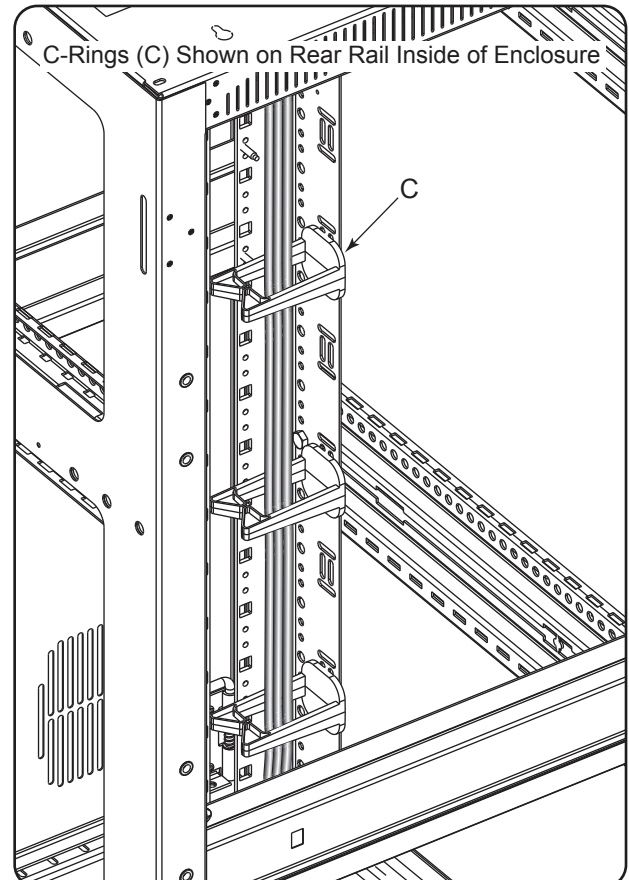
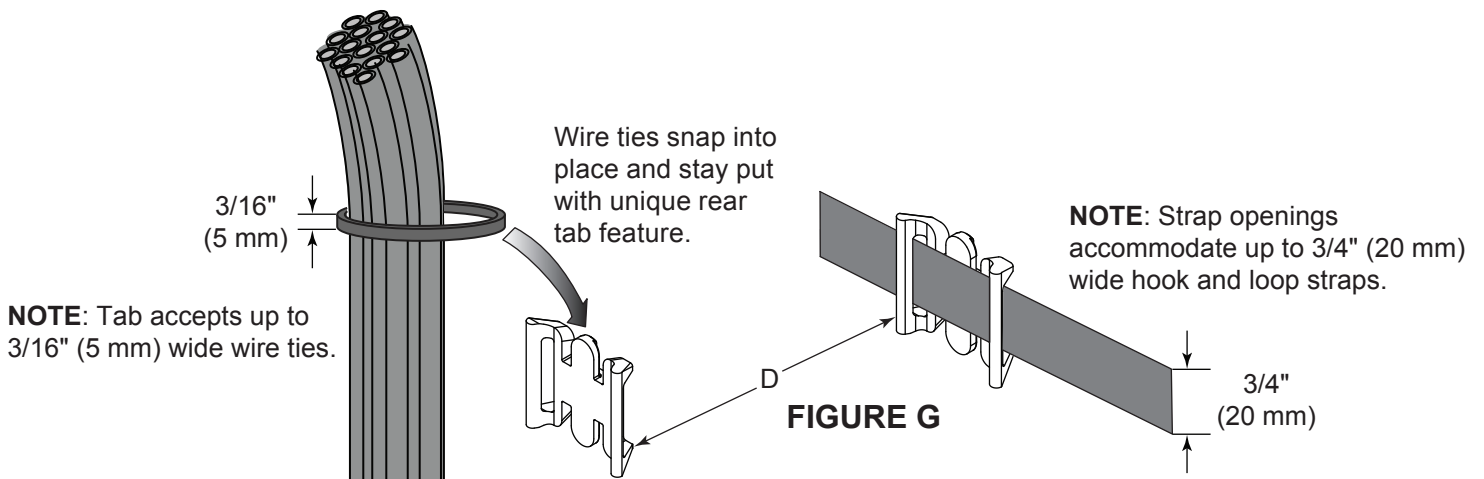


FIGURE F

UNDERSTANDING CABLE MANAGEMENT APPLICATIONS (CONTINUED)

- The Hook and Loop Tie Saddle option (D) is designed for either holding wire ties or using hook and loop straps. (**FIGURE G**)

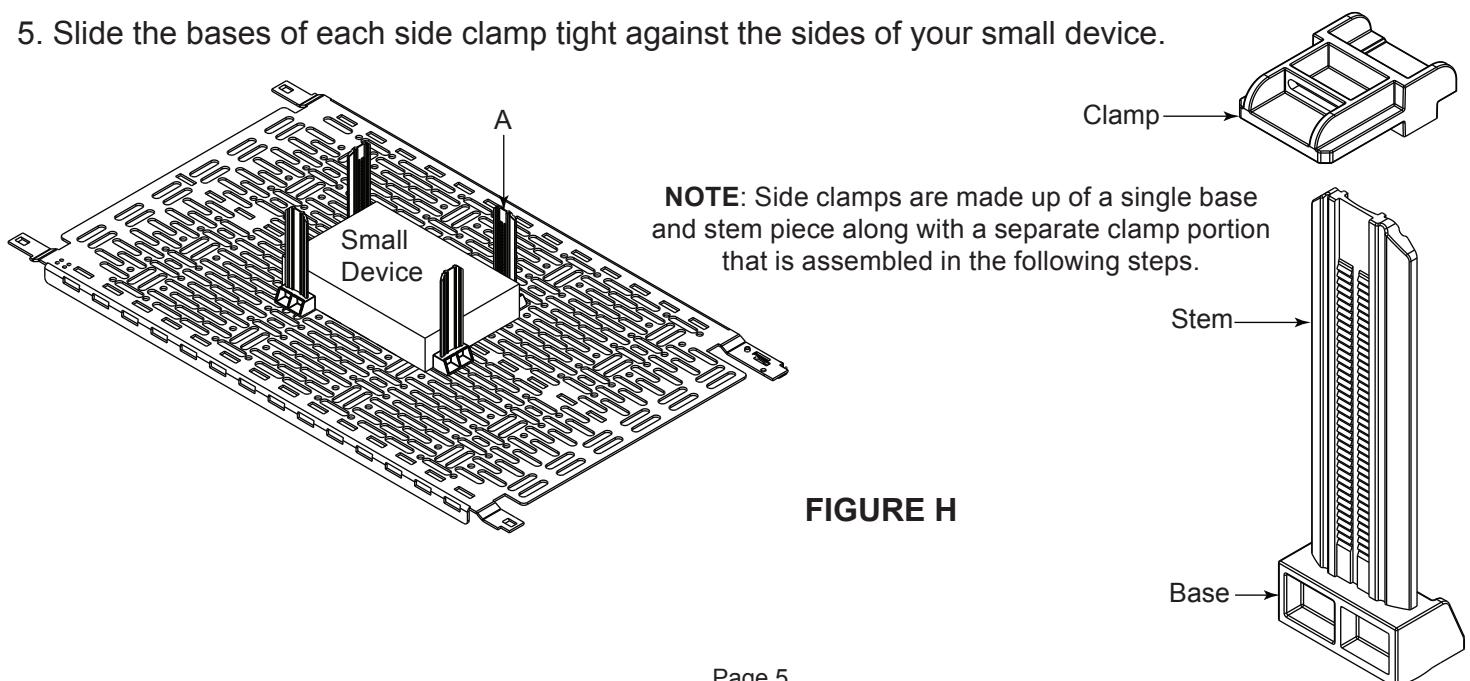


MOUNTING A SMALL DEVICE USING THE SIDE CLAMPS

1. Place your small device in your desired location on any UMS pattern to get a sense of the approximate locations for your side clamps.
2. Remove your small device from the UMS pattern.
3. Install each side clamp (A) in your determined locations as explained in "Installing Your Option" on page 3.

NOTE:

- Select obround openings on any UMS pattern that allow you to slide the base in desired directions, if necessary. (**FIGURE D**)
 - You may only require two side clamps depending on the size of the small device you are mounting.
4. Slide your small device into the space inside of your side clamps as shown. (**FIGURE H**)
 5. Slide the bases of each side clamp tight against the sides of your small device.



MOUNTING A SMALL DEVICE USING THE SIDE CLAMPS (CONTINUED)

6. Slide a clamp down over the top of each stem so it ratchets firmly against the top of your small device as shown. (FIGURE J)

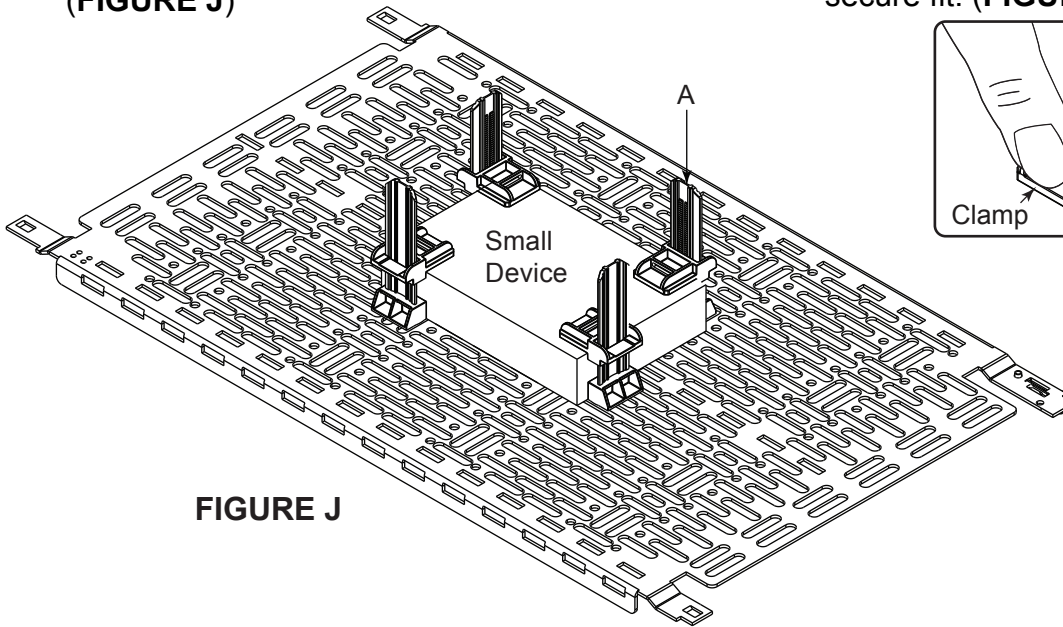


FIGURE J

NOTE:

- Push front of clamp down when tightening against the top of your small device for a secure fit. (FIGURE K)

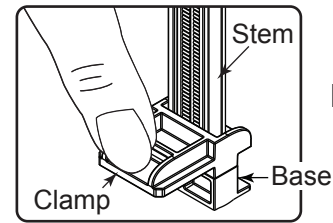


FIGURE K

- Release the clamp from the stem by pushing the top of the stem backward while pulling up on the rear of the clamp. (FIGURE L)

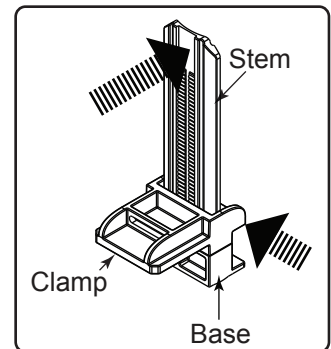


FIGURE L

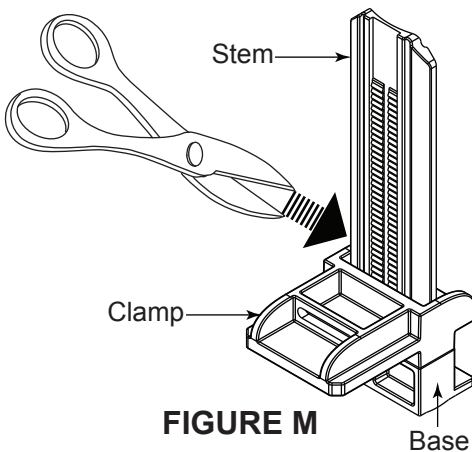


FIGURE M

7. If desired, you may use tin snips or cutting pliers to remove excess stem material above the clamp. (FIGURE M)

NOTE: If you do cut the stem material, this may prevent you from possibly reusing the clamp on small devices that are the same height or taller.

CAUTION: File down any rough edges after cutting the stem.
ATTENTION: Limez les bords rugueux après la coupe de la tige.

WARRANTY

For warranty information, refer to <http://www.middleatlantic.com/company/about-us.aspx#warranty>

Corporate Headquarters

Voice: 973-839-1011 - Fax: 973-839-1976 - International Voice: +1 973-839-8821 -
Fax: +1 973-839-4982 - www.middleatlantic.com - info@middleatlantic.com

Middle Atlantic Canada

Voice: 613-836-2501 - Fax: 613-836-2690 - ca.middleatlantic.com -
customerservicecanada@middleatlantic.ca

Middle Atlantic EMEA Technical Support

Voice: +31 (0) 495 726002 - av.emea.middleatlantic.support@legrand.com

Factory Distribution

United States: New Jersey, California, Illinois - Canada: Ontario - The Netherlands: Weert

At Middle Atlantic Products we are always listening. Your comments are welcome.

Middle Atlantic Products is an ISO 9001 and ISO 14001 Registered Company.



Middle Atlantic Products

what great systems are built on™

middleatlantic.com ■ 800.266.7225