



## ESUGS4-P1-B Series

Industrial Gigabit Ethernet Switch with PoE+  
5 ports: 4 PoE+ ports, 1 SFP port



### Product Description

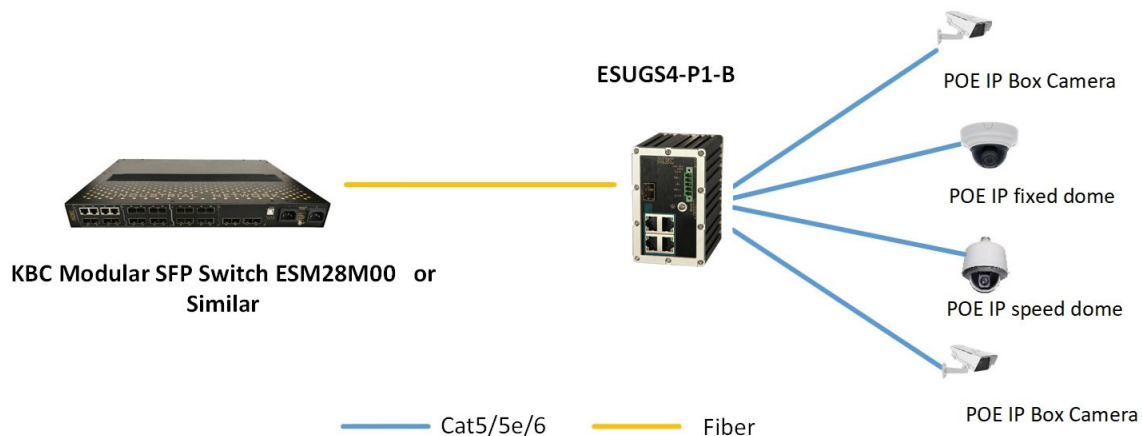
The KBC ESUGS4-P1-B Series is a high performance unmanaged industrial gigabit Ethernet switch with 4\* 10/100/1000M auto-sensing copper ports, and 1\* gigabit SFP port. Four copper ports support PoE/PoE+ where each port offers a maximum of 30w power. Rugged design with an IP40 enclosure and industrial level 3 ESD protection. Unique DIN mount design makes mounting and removal simple. The rugged design is suitable for use in harsh environment applications such as in Power, Transportation, Pipeline, Petrochemical and Automation Industries and IP surveillance.



### Product Features

- 4x10/100/1000Base-T(X) ports
- 1x gigabit SFP port
- Supports IEEE802.3af&at
- Redundant power supply input
- Overload current protection and reverse polarity protection
- Level 3 ESD protection
- IP40 housing design
- Unique DIN mount design makes mounting and removal simple
- Both POE and Non-PoE models are available

### Typical System Configuration



## Specifications

### Standards

IEEE Standards	IEEE802.3, IEEE802.3u IEEE802.3z, IEEE 802.3ab
----------------	---

### Ports

10/100/1000MBase-T	4
1000MBase-X SFP <sup>(1)</sup>	1

### Switch Performance

Architecture	Store-and-forward
Switch Capacity	10Gbps

### PoE

Standard	802.3af/at
PSE Type	End-span
Power Pin Assignment	1/2(+), 3/6(-)
PoE Power Output	up to 30 watts max per port

### Mechanical

Dimension (WxDxH)	62mm × 86.5mm × 100mm
Weight	0.6kg

### Power <sup>(2)</sup>

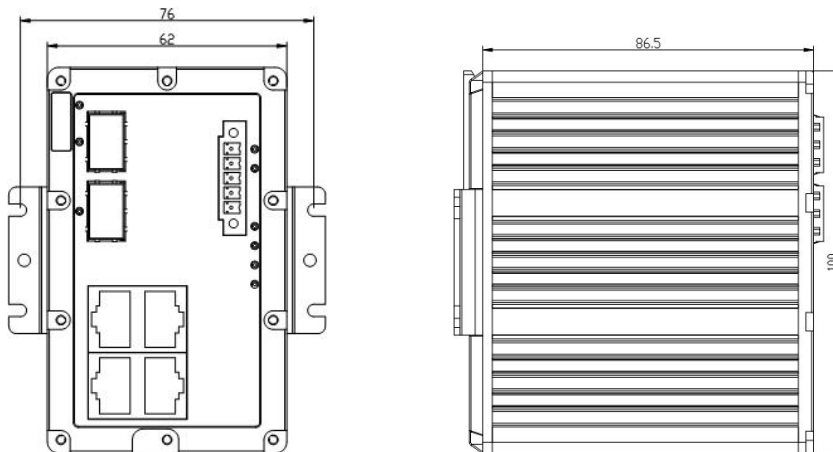
Redundant Power Input	48 ~ 57Vdc
Power Consumption	< 8W (No POE output)
POE Budget	120W
Overload Current Protection	Yes
Reverse polarity protection	Yes

### Protection

Enclosure	IP40
ESD	Industrial level 3

### Environmental

Operating Temperature	-40° ~ +75°C
Storage Temperature	-40° ~ +85°C
Operating Humidity	5% to 95% non-condensing



## Order Information

**ESUGS4 – P1 – B:** Unmanaged, POE/POE+, 4\*10/100/1000M Base-T, 1\*Gigabit SFP

**ESUGN4 – P1 – B:** Unmanaged, Non-PoE, 4\*10/100/1000M Base-T, 1\*Gigabit SFP

1. SFP module sold separately.
2. Power supply sold separately.

*Due to ongoing technological improvements, product specifications are subject to change without notice. KBC is not liable for any errors, omissions or changes of any description of the goods contained herein. This information is for the sole purpose of identifying the products and KBC makes no warranty that the products conform to any description contained herein. Do not rely solely on any representations, statements, or assertions concerning these Products contained herein.*