

Product Description

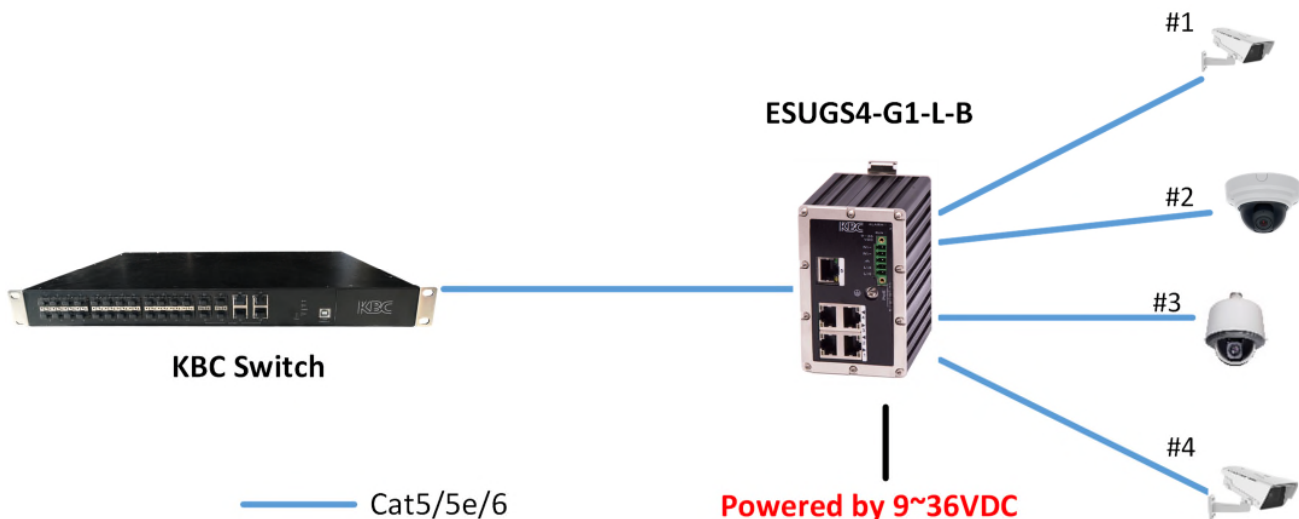
The KBC ESUGS4-G1-L-B is a high performance, non-managed industrial switch with 5* 10/100/1000M auto sensing copper port. Four of the copper ports support PoE/PoE+, with up to 30W output on each PoE port. **The switch is powered by 9 ~ 36 VDC so that it is right choice in applications where +12VDC or 24VDC power are available.** Unique mount design makes DIN mount and removal easy. Rugged design with IP40 and industrial level 3 ESD protection of the switch makes it suitable for use in harsh environment applications, such as power, transportation, pipeline, petrochemicals, industry automation and IP surveillance.



Product Features

- Non-managed industrial switch
- 5x10/100/1000Base-T(X) ports, 4 PoE+ ports
- Each PoE port output up to 30W
- Support IEEE802.3af&at
- **9 ~ 36VDC Power supply input**
- Overload current protection and reverse polarity protection
- Level 3 ESD protection
- IP-40 housing design
- Support DIN-rail or wall mounted
- Unique DIN mount design makes mount and removal easy

Typical System Configuration



Specifications

Standards

IEEE Standards	IEEE802.3 IEEE802.3u IEEE802.3x
	IEEE802.3z IEEE802.3ab IEEE802.3af&at

Ports

10/100/1000Base-T	RJ45(5, 4 with PoE/PoE+)
-------------------	--------------------------

Switch Performance

Architecture	Store-and-forward
Memory Buffer	512K
Switch Capacity	1.2Gbps
Mac Table	1K

PoE

Standard	IEEE802.3af/at
PSE Type	End-span
Power Pin Assignment	1/2(+), 3/6(-)
PoE Power Output	Up to 30W max per port

Power⁽¹⁾

Redundant Power Input	9-36VDC
Power Consumption	< 5W (without PoE)
PoE Budget	80W max. with input voltage >18VDC
Overload Current Protection	Yes
Reverse polarity protection	Yes

Protection

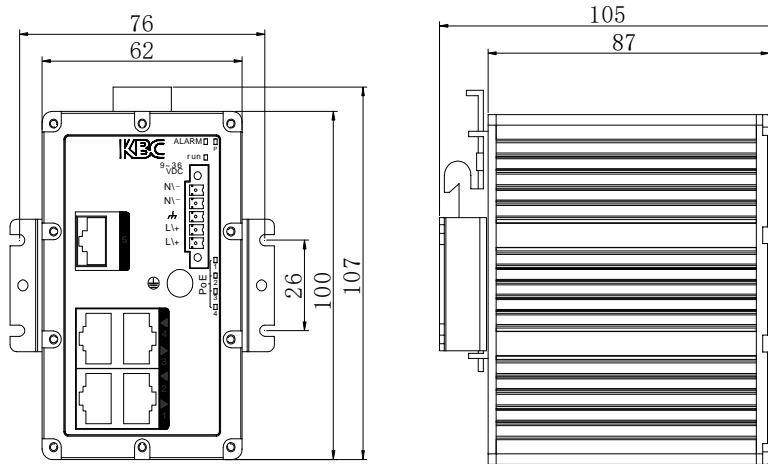
Enclosure	IP40
ESD	Industrial level 3

Environmental

Operating Temperature	-40 °C ~ +75 °C
Storage Temperature	-40 °C ~ +85 °C
Operating Humidity	5% to 95% non-condensing

Mechanical

Dimension (L×W×H)	62mm × 87mm × 100mm
Weight	0.6kg



Order Information

ESUGS4-G1-L-B: Unmanaged, 5×10/100/1000Base-T(X) ports, 4 PoE+ ports, 9-36VDC power input

1. Power supply sold separately.

Due to ongoing technological improvements, product specifications are subject to change without notice. KBC is not liable for any errors, omissions or changes of any description of the goods contained herein. This information is for the sole purpose of identifying the products and KBC makes no warranty that the products conform to any description contained herein. Do not rely solely on any representations, statements, or assertions concerning these Products contained herein.