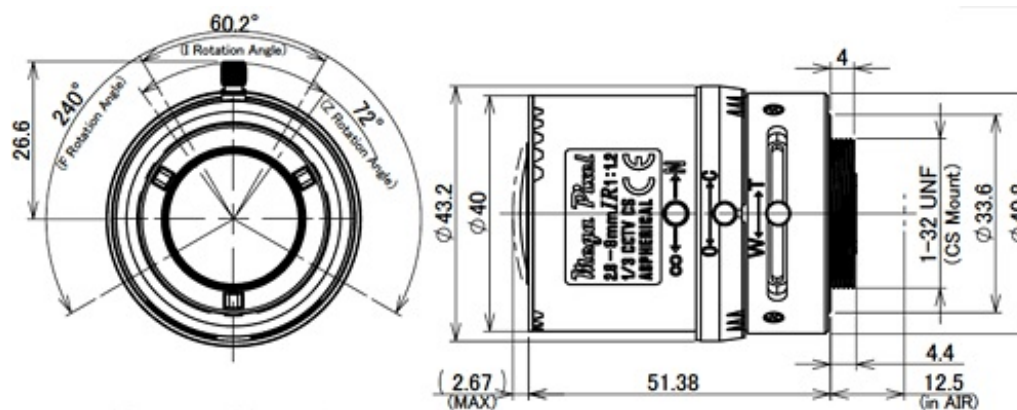


M13VM288IR



SPECIFICATIONS

| | | | M13VM288IR |
|--|-----|------|----------------|
| Imager Size | | | 1/3 |
| Mount Type | | | CS |
| Focal Length | | | 2.8 - 8mm |
| Aperture Range | | | 1.2 - Close |
| Angle of View (Horizontal x Vertical) | 1/3 | Wide | 100.1° x 72.9° |
| | | Tele | 35.8° x 26.8° |
| | | Wide | 72.9° x 53.9° |

| | | | |
|-----------------------|-----|-------|-------------------------------|
| | 1/4 | Tele | 26.8° x 20.1° |
| Focusing Range | | | 0.3m - ∞ |
| Operation | | Focus | Manual with Lock |
| | | Zoom | Manual with Lock |
| | | Iris | Manual with Lock |
| Filter Size | | | - |
| Back Focus(in air) | | | Wide 8.339 - Tele 14.944mm |
| Wave Length | | | Visible Light - Near Infrared |
| Operating Voltage | | | - |
| Weight | | | 61g |
| Operating Temperature | | | -20°C - +60°C |

Download

You can download the specifications.

[▶ Download Catalog](#)

[▶ Download Specifications](#)

[T e r m | s o f U s e](#)

[▲ B a c k](#)

© Copyright 2002-2011 TAMRON Co.,Ltd.