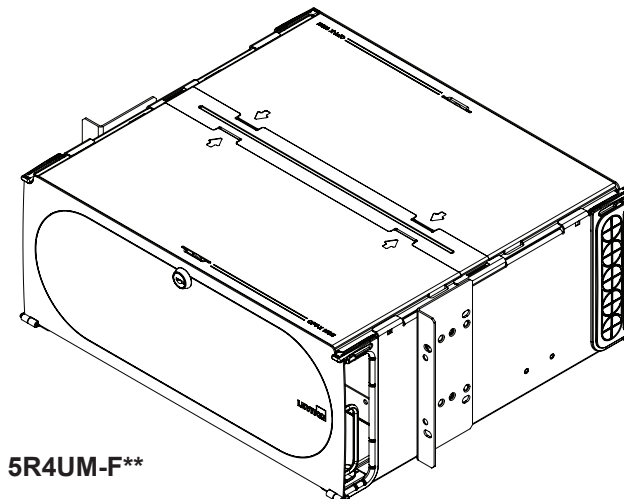
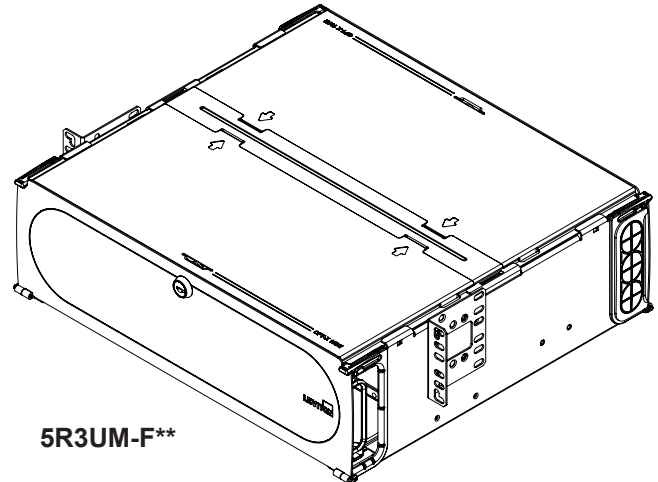
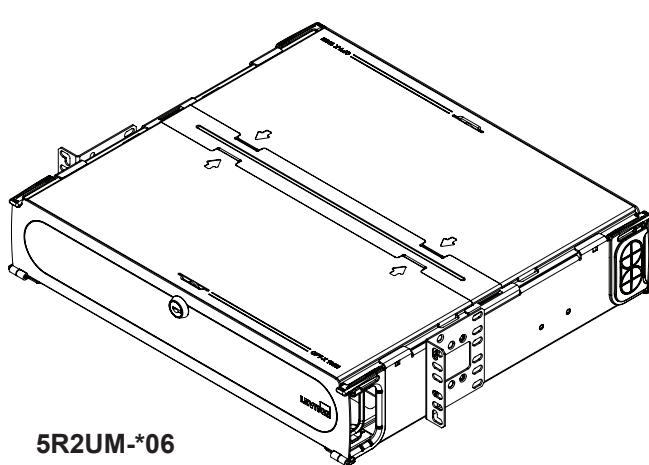
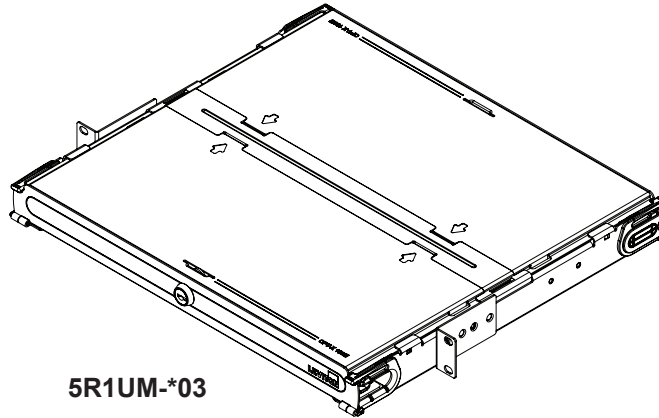


## Instructions for Use - Opt-X<sup>®</sup> 1000i Enclosure



## FIBER CONNECTOR SAFETY WARNINGS

### SAFETY INFORMATION

- Always wear safety glasses.
- Isopropyl alcohol is flammable and may cause eye irritation. In case of contact with eyes, flush with water for at least 15 minutes. When using isopropyl alcohol, always assure proper levels of ventilation. In case of ingestion, consult a physician immediately.
- Never look directly into a laser light source, point source at a person's eyes, or point source at reflective surfaces.
- When working on a fiber link, always turn laser source off, or disconnect completely.
- Always dispose of fiber debris properly, preferably using sticky tabs.
- Do not place food or beverages in the vicinity of the work area.
- Thoroughly wash face and hands after terminating fiber.
- Carefully remove any fiber debris that may have been stuck to clothing, or left in work area, and dispose of properly.

### TIPS AND RECOMMENDATIONS

- Using isopropyl alcohol, thoroughly clean exposed fiber and buffer ensuring both are free from dust, oil, and debris.
- Do not lay ferrule dust covers on a dirty or dusty surface.
- Always use proper tools and/or accessories to terminate fibers and clean connector tips.

## QUICK START GUIDE

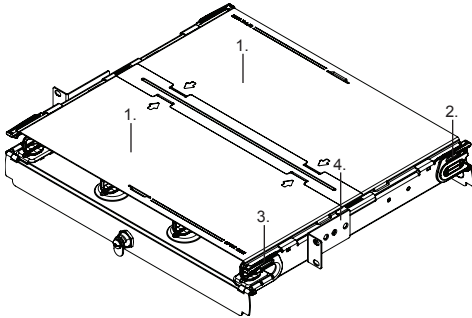
The following instructions will help you quickly install your Leviton Opt-X® 1000i Enclosure for use in your equipment cabinet or rack. For detailed information on each step, go to the page number listed below.

Safety and Installation Instructions	Pg. 2
Quick Start Guide	Pg. 2
Equipment Overview	Pg. 3
Standard Accessories	Pg. 4
Optional Part Numbers	Pg. 4
Side View	Pg. 4
Cover Removal, and Installation	Pg. 5
Cable Installation - Preparation	Pg. 5
Opt-X® 1000i Fiber Management Ring	Pg. 6
Opt-X® 1000i Labeling	Pg. 7
Cable Installation - Applications	Pg. 8

## EQUIPMENT OVERVIEW - FIXED & SLIDING TRAY

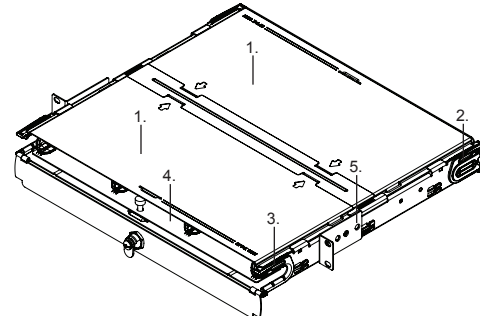
### EXTERIOR

**Fixed**



1. Removable Covers
2. Removable Cable Grommet
3. Bend Radius Adapter
4. Adjustable Mounting Ears

**With Sliding Tray**

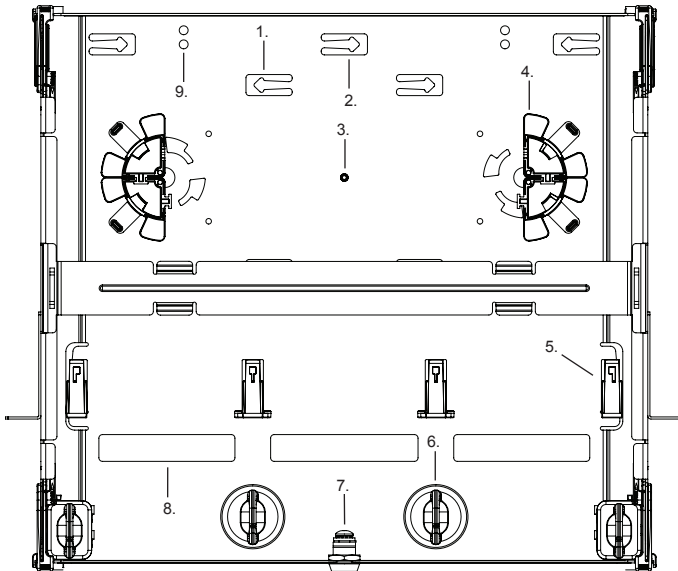


1. Removable Covers
2. Removable Cable Grommet
3. Bend Radius Adapter
4. Slide Out Termination Tray
5. Adjustable Mounting Ears

### INTERIOR

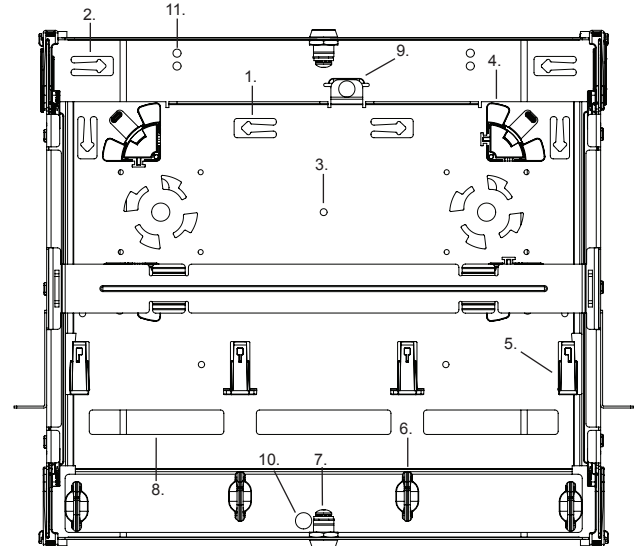
NOTE: Covers removed for clarity.

**Fixed**



1. Hook & Loop Lacing Points (For Splice Trays)
2. Cable Lace Points
3. Splice Tray Alignment Pin
4. 1/4 Fiber Cable Management Ring
5. Bulkhead Brackets (Opt-X® = Black, LGX = Gray)
6. Patch Cord Cable Management Rings
7. Lock (optional)
8. Connector Removal Access Points
9. Ground Lug Mounting Hole

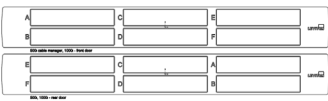
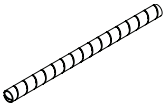

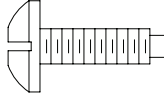

**With Sliding Tray**



1. Hook & Loop Lacing Points (For Splice Trays)
2. Cable Lace Points
3. Splice Tray Alignment Pin
4. 1/4 Fiber Cable Management Ring
5. Bulkhead Brackets (Opt-X® = Black, LGX = Gray)
6. Patch Cord Cable Management Rings
7. Lock (optional)
8. Connector Removal Access Points
9. Rear Tray Plunger (lift plunger to slide tray backward)
10. Front Tray Plunger (lift plunger to slide tray forward)
11. Ground Lug Mounting Hole

## STANDARD ACCESSORIES (Included with Opt-X® 1000i Enclosure)

Prior to installing your Leviton Opt-X® 1000i Enclosure, please refer to the table below. This will help ensure that you have all the items shipped with the unit, and/or any additional items that may be required for proper installation.

Description	Image	Quantity in 1RU Kit	Quantity in 2RU Kit	Quantity in 3RU Kit	Quantity in 4RU Kit
Self Adhesive Label		2	2	2	2
Spiral Loop, 18"		1	1	0	0
Cable Tie		4	4	6	6
Rack Mount Screw		4	4	4	4
Ground Lug		1	1	1	1

## OPTIONAL PART NUMBERS

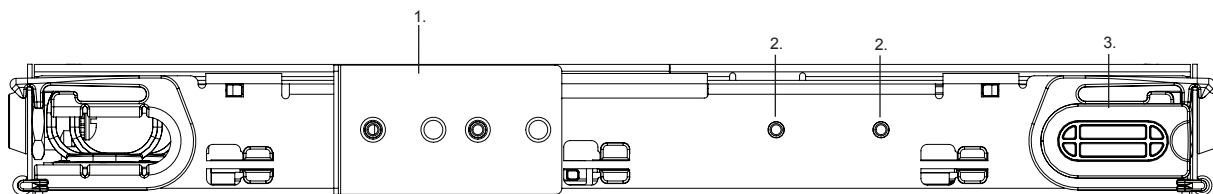
### Description

Universal Opt-X® Clamp Kit for Enclosure Mounting  
 Universal Opt-X® Clamp Kit for Rack Mounting  
 Fiber Cable Management 1/4 Ring Kit (bag of four 1/4 rings)  
 Splice Tray Mounting Hardware Kit  
 1RU Mounting Ear for 23" Rack  
 Lock & Key

### Part Number

5RCMP-KIT  
 5RCMR-KIT  
 5R100-14R  
 SPLMT-HKT  
 5R1RU-023  
 5L000-LOK

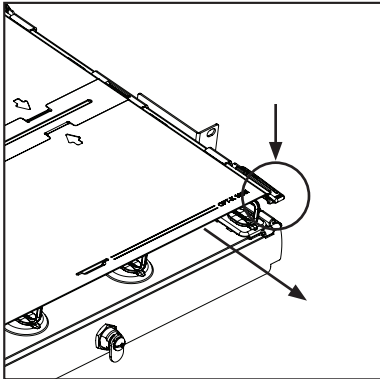
## SIDE VIEW (1RU Shown)



1. Adjustable 19" rack mount brackets
2. Cable Clamp kit mounting points
3. Cut grommet as needed to accommodate cables.

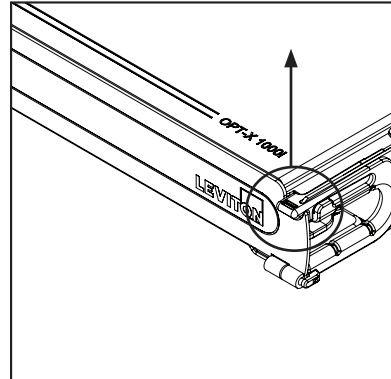
**NOTE:** 2RU and 4RU brackets are reversible for mounting onto 23" racks. Optional 23" RM kit also available for 1RU. See Optional Part Number list above.

## COVER REMOVAL



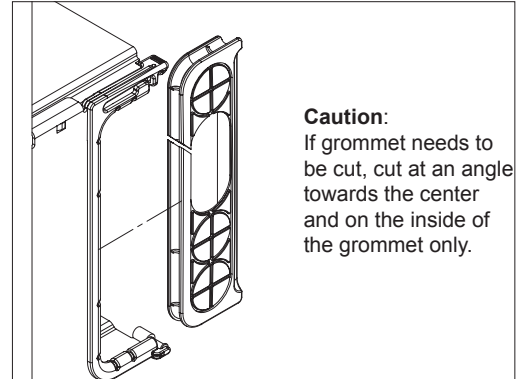
To remove cover: Push tabs down, and then slide the cover out.

## DOOR LATCH



To open the door: Lift tabs as shown

## CABLE GROMMET



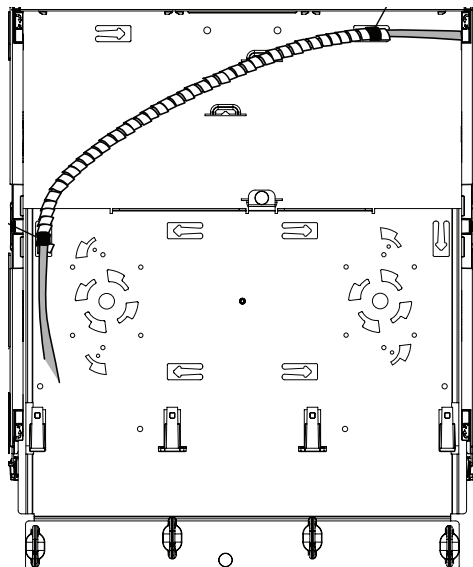
**Caution:**  
If grommet needs to be cut, cut at an angle towards the center and on the inside of the grommet only.

**NOTE:** Cutting beyond the pre-determined cutting guides or through the grommet edge may cause deformation of the grommet and decreased retention capability.

## CABLE INSTALLATION - PREPARATION (SLIDING TRAY)

Top View: Tray to Front

NOTE: Tray in forward position, covers and center bar removed for clarity.



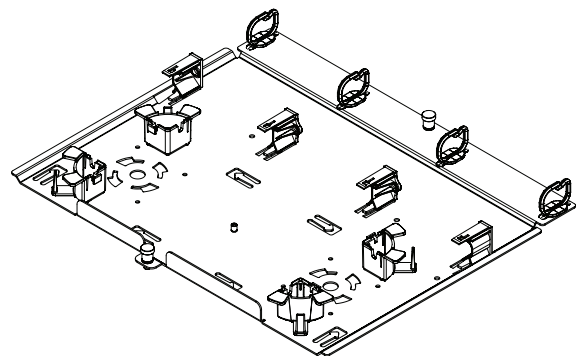
NOTE:

- Route cable to tray through grommet on the opposite side of cable entry.
- Plan for cable routing prior to termination.
- Adjust fiber ring kit based on desired application (see page 6 for detail).
- Assure cable slack for tray movement.
- For additional cable slack management, use optional Fiber Management Ring Kit (5R100-14R).

To remove tray from enclosure, lift rear tray plunger, slide tray fully rearward.

NOTE: Grounding lug can be used to secure cable to enclosure.

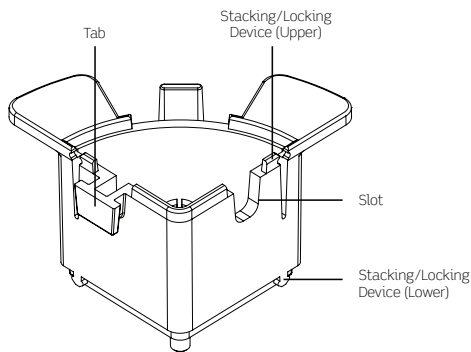
Pictured: Removable tray to facilitate field termination and splicing



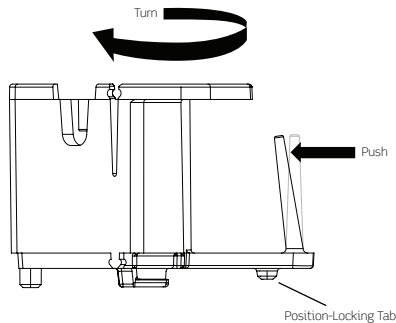
## Opt-X® 1/4 FIBER CABLE MANAGEMENT RING (Removal, Installation and Assembly)

Opt-X® Fiber management 1/4 rings are pre-installed at the factory. To remove, grip the 1/4 ring, lift the Position-Locking Tab, turn counter clockwise until unlocked, and then lift to remove. When removing a half or full management ring group, simultaneously lift the 2 or 4 Position-Locking Tabs, turn counter clockwise until unlocked, and then lift to remove.

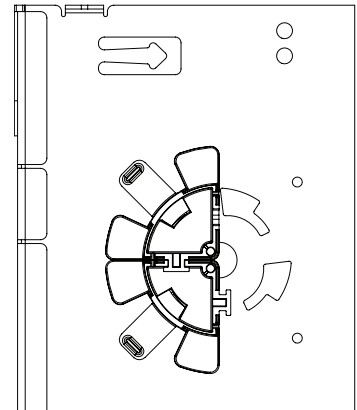
### RING OVERVIEW



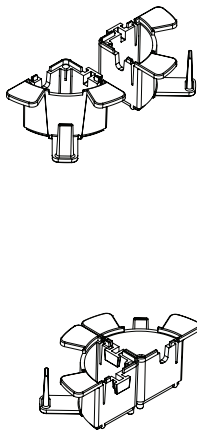
### RING SIDE PROFILE



### RING ALIGNMENT SLOTS



### HALF RING ASSEMBLY



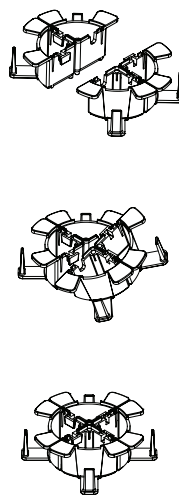
#### HALF RING ASSEMBLY

Hold a 1/4 ring unit in each hand, bring the units together and engage by placing the tab of the left unit into the slot of the right unit.

**HALF RING INSTALLATION** Position 1/2 ring unit over outer ring slots so the alignment tabs fit into slots. Press down and turn the 1/2 ring unit clockwise to engage tabs and lock into position.

**CAUTION** – when installing into a tray that is in the enclosure, provide adequate support under the tray by placing a hand under the ring slot area.

### FULL RING ASSEMBLY



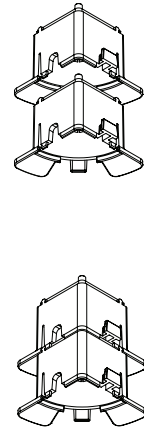
#### FULL RING ASSEMBLY

Hold a 1/2 ring unit in each hand, bring units together with tabs above slots, rotate to engage tabs.

**FULL RING INSTALLATION** Position full ring unit over inner and outer ring slots so alignment tabs fit into slots. Firmly press down and turn the full ring unit clockwise to engage tabs and lock into position.

**CAUTION** – when installing into a tray that is in the enclosure, provide adequate support under the tray by placing a hand under the ring slot area.

### RING STACKING



#### RING STACKING

Position initial ring unit (1/4, 1/2, or full) upside down on a flat surface. Position additional ring upside down above initial ring and press together using sufficient force to engage stack locking device.

**CAUTION** – always perform stacking before installing ring unit into tray.

## Opt-X® 1000i LABELING (for front & rear identification on enclosure)

Label Printing Organization by Fiber Adapter Type Horizontal Orientation							
Adapter	No. of Ports	Number Scheme					
Duplex SC (3 pack)	6	1	2	3	4	5	6
Duplex SC (6 pack)	12	3-4		7-8		11-12	
		1-2		5-6		9-10	
Duplex LC (6 pack)	12	2	4	6	8	10	12
		1	3	5	7	9	11
Quad LC (6 pack)	24	5-6 / 7-8		13-14 / 15-16		21-22 / 23-24	
		1-2 / 3-4		9-10 / 11-12		17-18 / 19-20	
ST/FC (6 pack)	6	1	2	3	4	5	6
ST/FC (8 pack)	8	1 - 2 - 3 - 4 - 5 - 6 - 7 - 8					

Label Printing Organization by Fiber Adapter Type Vertical Orientation							
Adapter	Duplex SC (3 pack)	Duplex SC (6 pack)	Duplex LC (6 pack)	Quad LC (6 pack)	ST/FC (6 pack)	ST/FC (8 pack)	
No. of Ports	6	12	12	24	6	8	
	Number Scheme						
	1	1-2	3-4	1-2	1-2 3-4	5-6 7-8	1
	2			3-4			2
	3	5-6	7-8	5-6	9-10 11-12	13-14 15-16	3
	4			7-8			4
	5	9-10	11-12	9-10	17-18 19-20	21-22 23-24	5
	6			11-12			6

**NOTE:** Ensure that the label surface area is clean of dirt, oil, and debris. Recommend use of isopropyl alcohol or a simple soap and water solution when wiping down surface area.

## UNIVERSAL LABELING DEVICES

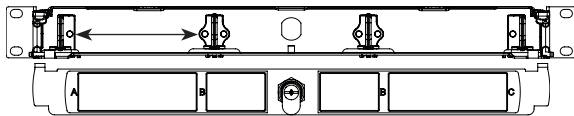
### Vertical orientation

- Use 3/8" or 3/4" label tape, depending on adapter plate
- Total label length = 2 3/4"
- Panel section is 3/4" W x 2 3/4" H

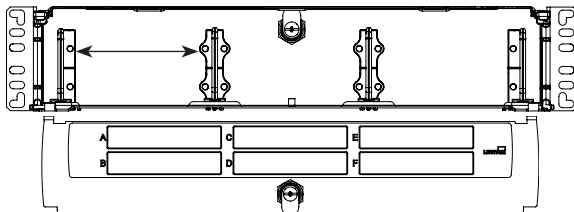
### Horizontal orientation

- Use 3/8" or 3/4" label tape, depending on adapter plate
- Total label length = 4"
- Panel section is 3/4" H x 4" L

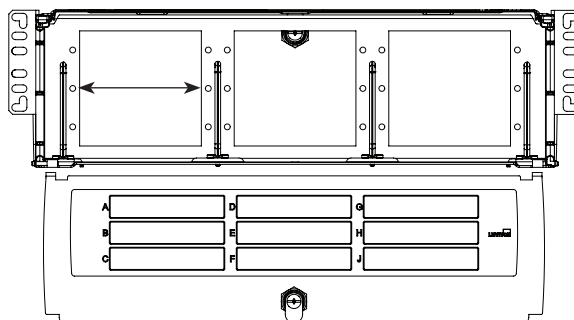
**5R1UM-F03, 5R1UM-S03**



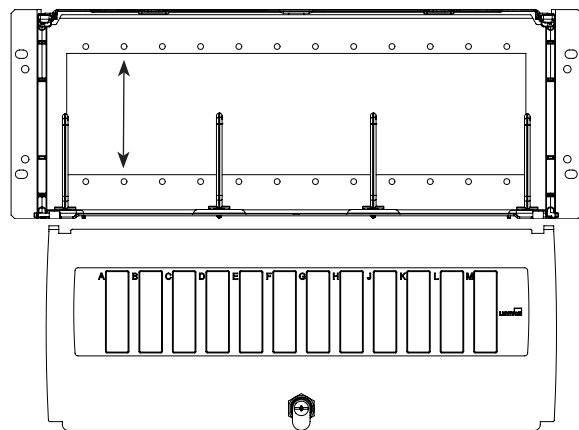
**5R2UM-F06, 5R2UM-S06**



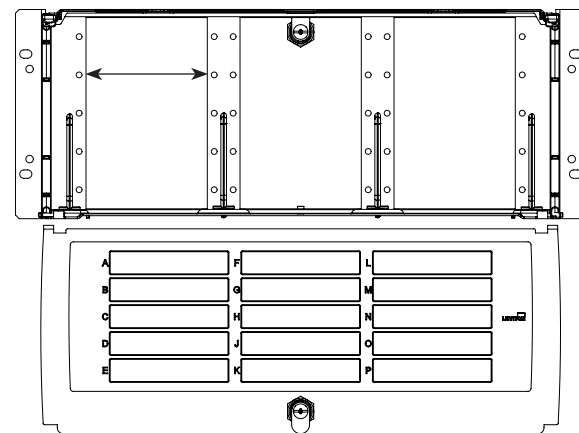
**5R3UM-F09**



**5R3UM-F12, 5R4UM-F12**



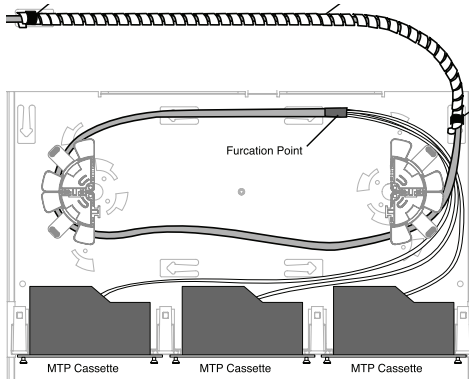
**5R4UM-F15**



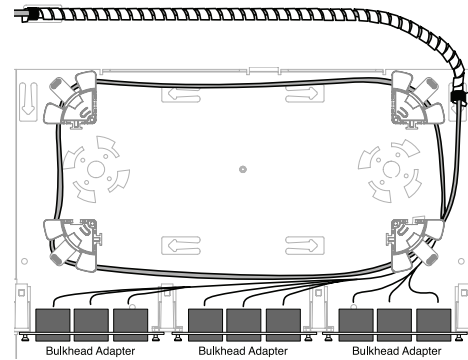
## CABLE INSTALLATION - APPLICATIONS

(Typical installations - not specific to enclosure)

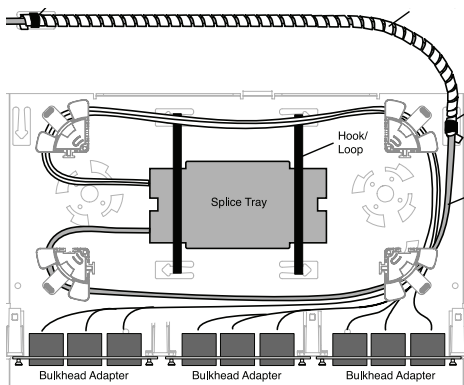
### Utilizing MTP® Cassettes



### Utilizing Pre-Terminated Cables or Field Termination of tight-buffered cable



### Utilizing Splice Trays



### Utilizing Fan-Out Kits

