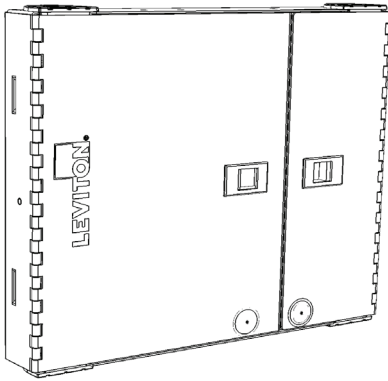
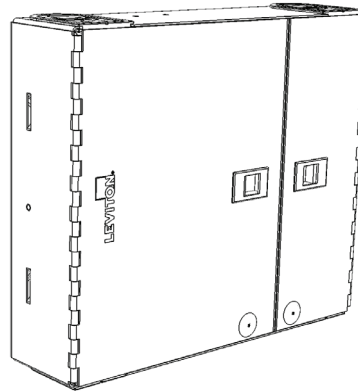

Instructions for Use - Opt-X[®] SDX Wallmount Enclosures



5WSML-02C



5WMED-04C

FIBER CONNECTOR SAFETY WARNINGS

SAFETY INFORMATION

- Always wear safety glasses.
- Isopropyl alcohol is flammable and may cause eye irritation. In case of contact with eyes, flush with water for at least 15 minutes. When using isopropyl alcohol, always assure proper levels of ventilation. In case of ingestion, consult a physician immediately.
- Never look directly into a laser light source, point source at a person's eyes, or point source at reflective surfaces.
- When working on a fiber link, always turn laser source off, or disconnect completely.
- Always dispose of fiber debris properly, preferably using sticky tabs.
- Do not place food or beverages in the vicinity of the work area.
- Thoroughly wash face and hands after terminating fiber.
- Carefully remove any fiber debris that may have been stuck to clothing, or left in work area, and dispose of properly.

TIPS AND RECOMMENDATIONS

- Using isopropyl alcohol, thoroughly clean exposed fiber and buffer ensuring both are free from dust, oil, and debris.
- Do not lay ferrule dust covers on a dirty or dusty surface.
- Always use proper tools and/or accessories to terminate fibers and clean connector tips.

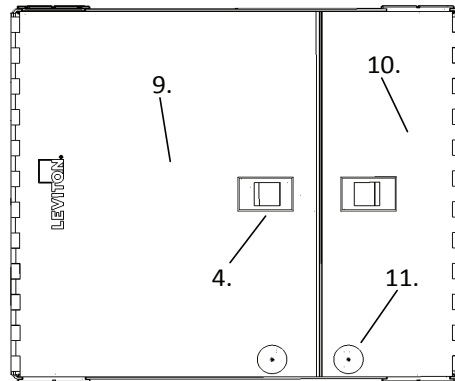
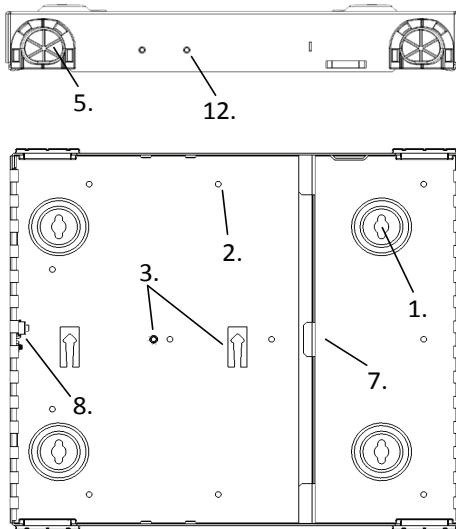
QUICK START GUIDE

The following instructions will help you quickly install your Leviton Opt-X® Wallmount Enclosure for use in your equipment cabinet or rack. For detailed information on each step, go to the page number listed below.

Safety Instructions	Pg. 2
Quick Start Guide	Pg. 2
Equipment Guide	Pg. 3
Standard Accessories	Pg. 4
Optional Accessories	Pg. 4
Required Hardware and Tools	Pg. 4
Configurations	Pg. 5
• Adapter Plates	
• Splicing	
• SDX Cassette	
Mounting	Pg. 5
Grommet Preparation and Use	Pg. 5
Cable Installation Applications	
• Adapter Plates	Pg. 7
• SDX Cassette	Pg. 7
• Splicing	Pg. 8
Grounding armored cabling	
Installing the optional lock kit	Pg. 10
Labeling	Pg. 11

EQUIPMENT OVERVIEW - SMALL/MEDIUM, LARGE

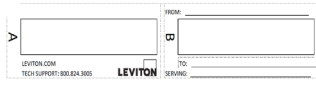
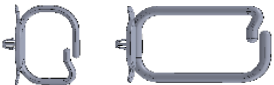



Small/Medium Enclosure



1. Mounting Eyelets
2. Wire management saddle mounting holes
3. Splice tray mounting point
4. Door latch
5. Cable entrance grommet
6. Cable lacing point
7. SDX Bulkhead
8. Grounding Stud
9. Service Door
10. Patch Door
11. Optional lock knockout blank
12. Optional Cable Clamp mounting point

Pour les traductions en français, allez à:
Para las traducciones en español, visite:
www.leviton.com

STANDARD ACCESSORIES

Description	Image	Quantity in Sm Kit	Quantity in Med Kit
Port Identification Label		1	1
Wire Management Saddles		7 Small	7 Medium
Velcro 5"		2	2
Grommets		4	4
#10 Wood Screw		4	4
Grounding Lug		1	1
Blank Adapter Plate		1	2

OPTIONAL ACCESSORIES

Lock and Key

Universal Clamp Kit (single)

Universal Clamp Kit (multi)

SDX to HDX adapter bracket

Splice Trays

Splice Tray Mounting Hardware Kit

5L000-KAL

5RCMP-KIT

5RCMP-KT2

HDXAD-ACC

(See splice tray configurator)

SPLMT-HKT

REQUIRED HARDWARE AND TOOLS

Mounting screws/lag bolts, wall anchors, washers as appropriate

Small Magnetic Torpedo level

Powered drill or screw driver

Scissors or safety blade utility knife

CONFIGURATIONS

There are four possible configurations using the small and medium enclosures.

- 1) Field or pre-terminated cabling used with SDX adapter plates
- 2) Pigtail splicing used with SDX adapter plates
- 3) Pigtail splicing used with Splice modules
- 4) Use with pre-terminated MTP cabling and SDX cassettes or SDX to HDX adapter brackets

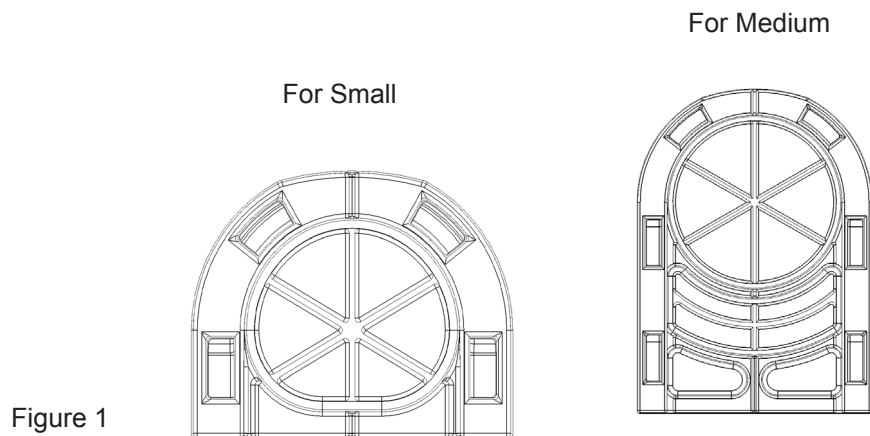
See the Installation section for diagrams of each configuration.

MOUNTING INSTRUCTIONS

- 1) Determine the location to mount the enclosure. Use the following considerations in selecting a mounting location:
 - a) Appropriate mounting base per applicable codes and Authority Having Jurisdiction (AHJ)
 - b) Space around the enclosure to open the door and route patch cables.
 - c) Adequate space above or below the enclosure to maintain industry standard bend radius compliance of all cables entering the enclosure.
- 2) If using the large enclosure in the splice only configuration, install the splice tray hardware before mounting the enclosure.
- 3) Using a level, place the enclosure at the target mounting location and mark the four mounting hole positions.
- 4) Install the top two screws and verify the enclosure is level during final tightening of screws.
- 5) Install the bottom two screws.

GROMMET PREPARATION AND USE

Cable Grommets are provided and designed for use at both trunk and patch cord entrance points to the enclosure.



There are several options in configuring the grommets. When patching, it is recommended to cut a channel at the front of the grommet to easily install patch cords. When routing trunks it may be desired to cut a channel at the rear of the grommet to allow for grommet removal for adding additional trunk cables. Grommet pass through material can either be slit to limit dust and water egress or removed entirely. To configure a grommet, use the following cutting methods:

- 1) Determine required opening in cable entrance grommet
- 2) Determine whether slitting or removing material will be performed
- 3) Using a sharp-edged tool, cut the appropriate opening in using the scored marking lines as shown in figures 2 and 3:
- 4) Optional – cut a channel through the outer wall of the grommet for either trunk or patch cord routing.

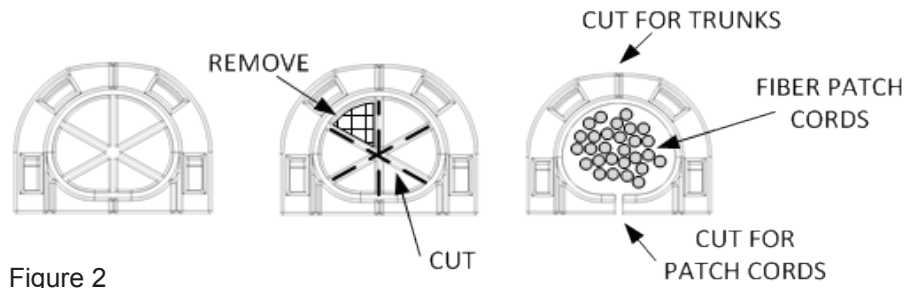


Figure 2

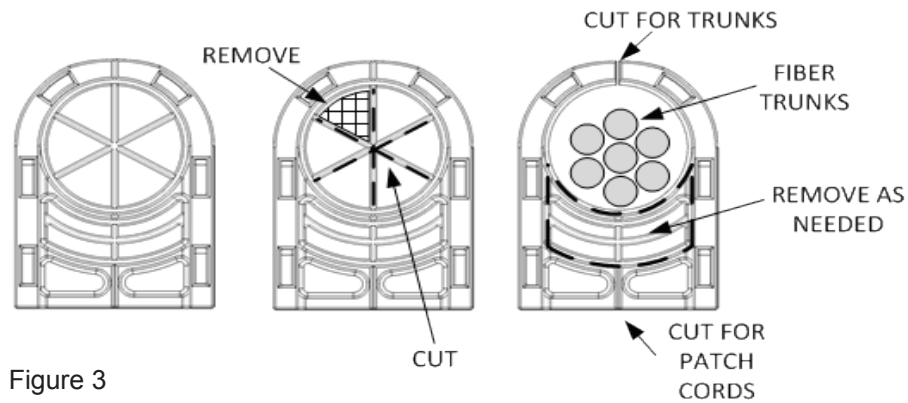


Figure 3

Estimated Fill Ratios

Cable Description (based on 50% fill)	Diameter in inches	Diameter in MM	Qty per Small Grommet	Qty per Medium Grommet
Micro Data Center 12s Plenum	0.16	4.06	15	26
Micro Data Center 24s Plenum	0.18	4.57	12	20
Micro Data Center 48s Plenum	0.231	5.87	7	12
Micro Data Center 72s Plenum	0.275	6.99	5	9
Micro Data Center 144s Plenum	0.36	9.14	3	5
Trunk 12s Distribution/Loose Tube	0.18	4.57	12	20
Trunk 24s Distribution/Loose Tube	0.38	9.65	3	5
Trunk 48s Distribution/Loose Tube	0.38	9.65	3	5
Trunk 72s Distribution/Loose Tube	0.44	11.18	2	3
Trunk 144s Distribution/Loose Tube	0.69	17.53	1	1
Trunk 12s Armored - MDP	0.495	12.57	2	3
Trunk 24s Armored - MDP	0.495	12.57	2	3
Trunk 48s Armored - MDP	0.584	14.83	1	2
Trunk 72s Armored - MDP	0.594	15.09	1	2
Trunk 144s Armored - MDP	0.708	17.98	1	1
Trunk 12s Armored - All types	0.55	13.97	1	2
Trunk 24s Armored - All types	0.95	24.13	0	1
Trunk 48s Armored - All types	1.05	26.67	0	1
Trunk 72s Armored - All types	1.23	31.24	0	0
Trunk 144s Armored - All types	1.73	43.94	0	0
Generic UTP Copper Cat5e	0.185	4.70	11	19
Generic UTP Copper Cat6	0.23	5.84	7	12
Generic UTP Copper Cat6A	0.33	8.38	4	6

CABLE INSTALLATION

- 1) Feed incoming cable(s) through the grommet opening.
- 2) Optional – Install Universal Trunk Clamp kit and secure cable to clamp.
- 3) Remove required outer cable jacket leaving jacket at the closest lance point.
- 4) Secure the cable to the lance point with Velcro or nylon tie wraps as appropriate.
- 5) If applicable, secure aramid yarn to lance point.
- 6) When using Armored cable, secure the ground wire from the armored cable to the provided grounding lug or ground by other code compliant methods to the provided grounding stud.
- 7) Using the cable management saddles, route the breakout fiber legs to the patching or termination point as shown in the configuration drawings below: (Figures 4 to 11)

ROUTING FOR FIELD AND PRE-TERMINATED TERMINATION – (SMALL/MEDIUM ENCLOSURES)

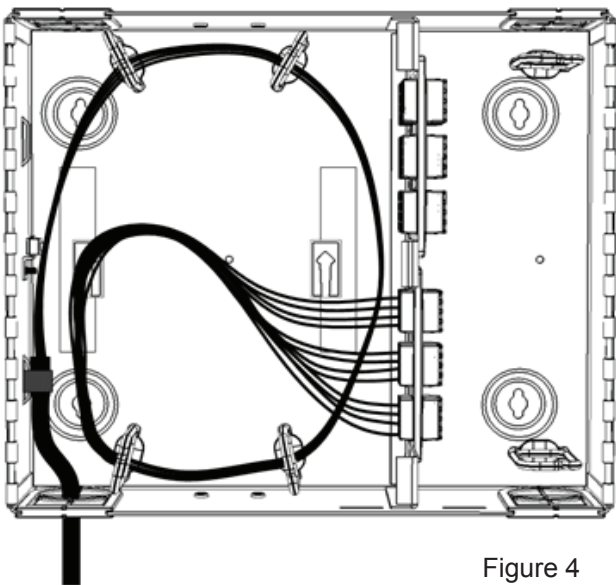


Figure 4

ROUTING FOR FIELD TERMINATED CABLING – SPLICE MODULES

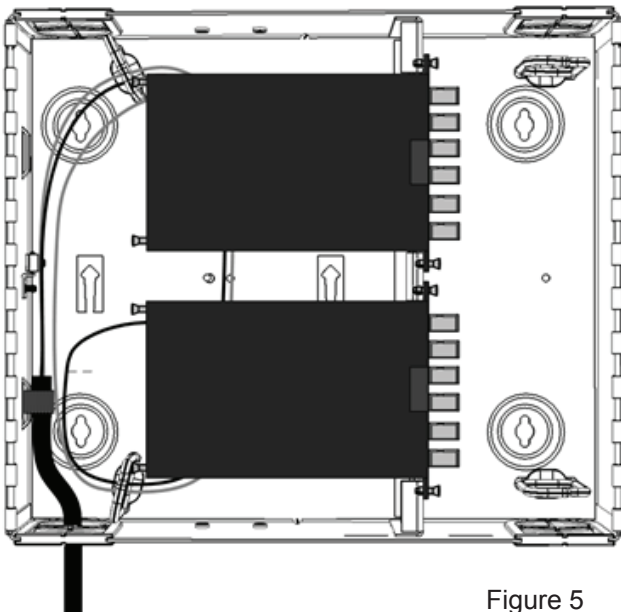


Figure 5

ROUTING FOR PRE-TERMINATED CABLING – CASSETTES

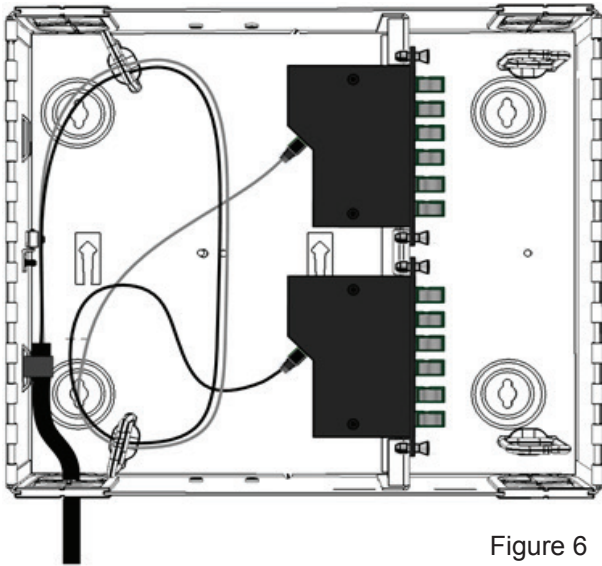


Figure 6

ROUTING FOR FIELD TERMINATED CABLING – FAN OUT

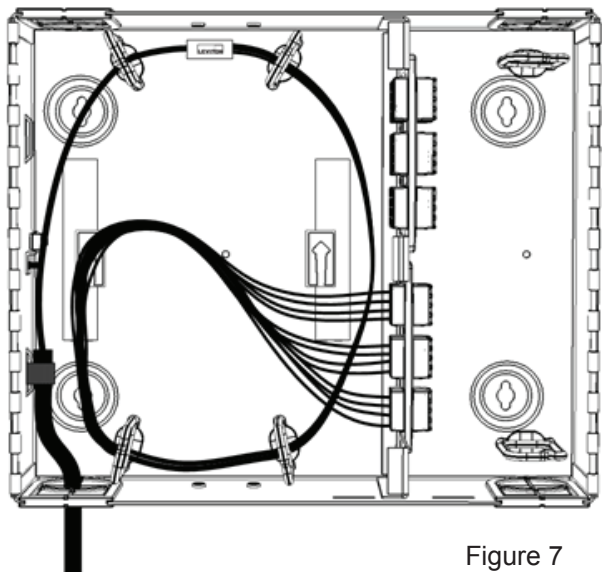


Figure 7

ROUTING FOR SPLICE TERMINATION

When performing splice terminations, it is recommended to pre-route and mark trunk and pigtail cabling prior to performing any trimming, termination or routing. Splice work can then be performed outside of the enclosure at the termination equipment. When routing terminated assemblies, route in the trunk cabling (solid line in Figure 8) first, followed by the pigtail assemblies (dotted line in Figure 8). To maintain future accessibility, keep each set of cabling (trunk and pigtail respectively) routed separately through the Wire Management saddles.

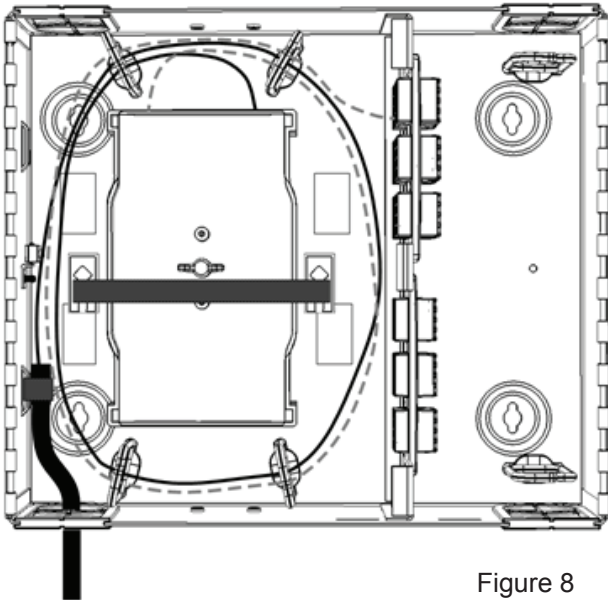


Figure 8

The Splice Tray Mounting Hardware Kit (SPLMT-HKT) is required for securing Splice trays to all Opt-X wall mount enclosures. Upon completion of splicing and routing, secure the splice trays to the enclosure base using the arrow lance points, appropriate threaded stud and wing nut from the Splice hardware kit.

SECURING THE SPLICE TRAYS

Securing the splice trays requires two components:

- Splice Tray Mounting Kit including appropriate threaded stud and wing nut
- Velcro strip (bulk Velcro or Velcro supplied in the Splice Tray Mounting Kit)

1. Prior to mounting the enclosure, install appropriate #10-32 threaded bolt from the rear of the enclosure base and secure trays with wing nut.
2. Insert Velcro strip under the first arrow lance point with the hook side facing up (Figure 9).

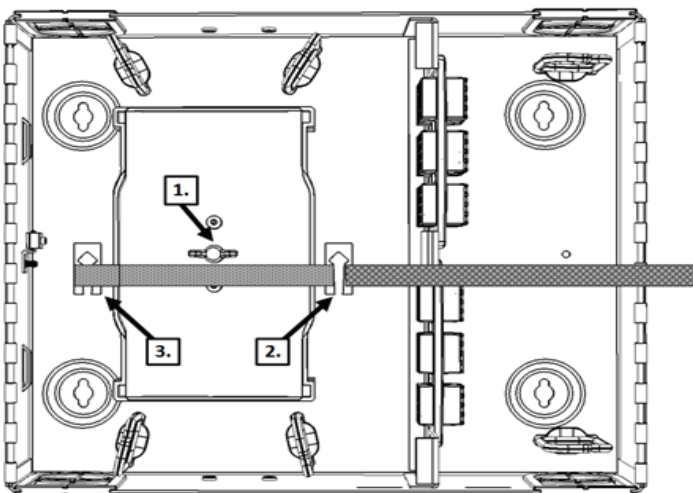


Figure 9

3. Place the Velcro under and around the second lance point
4. Fold the end over the splice tray(s). (Figure 10).

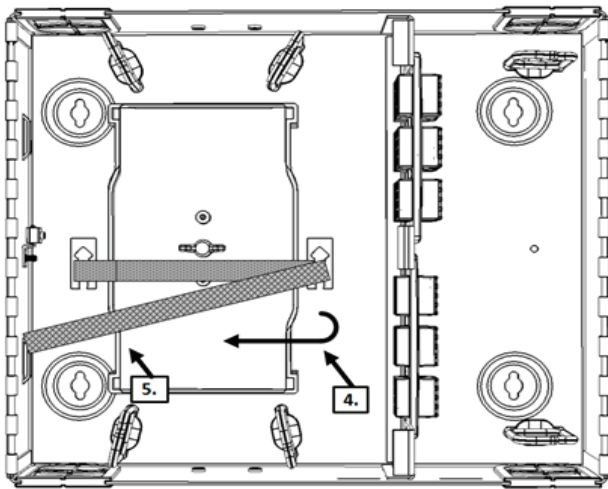


Figure 10

5. Create a snug mating of the Velcro to the trays. (Figure 11).
6. Trim excess Velcro as necessary.

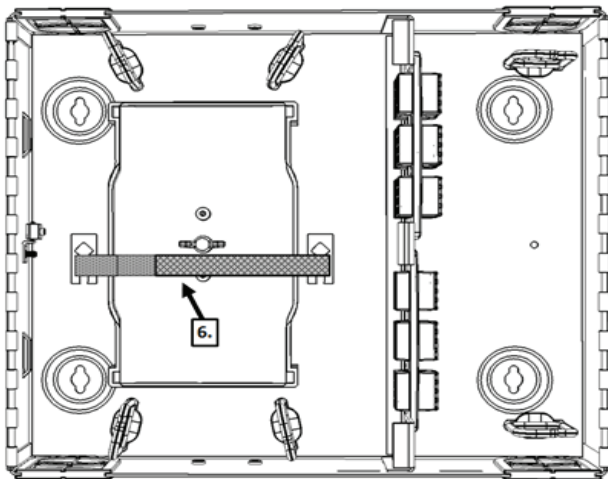


Figure 11

OPTIONAL LOCK KIT

A lock can be installed on the service door, patch door or both doors of each enclosure as required. If using the optional Lock kit #5L000-KAL

Small and Medium

1. Remove the plastic lock blank
2. Remove the CAM from the lock set
3. Insert the lock set into the Enclosure door
4. Re-install the lock CAM

LABELING

A Port Identification Label is provided with each Wall Mount Enclosure. The label(s) should be affixed to the inside of the patch bay door. Labeling within the slot position cells can be achieved with printed labels or via excel based spreadsheets available via download at www.leviton.com.

A	TO: _____ LEVITON.COM TECH SUPPORT: 800.824.3005 Wall Mount Enclosure, Small	B	FROM: _____ SERVING: _____
---	---	---	-------------------------------

C	TO: _____	D	FROM: _____
A	TO: _____ LEVITON.COM TECH SUPPORT: 800.824.3005 Wall Mount Enclosure, Medium	B	FROM: _____ SERVING: _____

Affix labels as shown in the following Labeling Configuration matrix

Label Printing Organization by Fiber Adapter Type							
Vertical Orientation							
Adapter	Duplex SC (3 pack)	Duplex SC (6 pack)	Duplex LC (6 pack)	Quad LC (6 pack)	ST/FC (6 pack)	ST/FC (8 pack)	
No. of Ports	6	12	12	24	6	8	
Number Scheme							
	1	1-2	3-4	1-2	1-2	5-6	1
	2			3-4	3-4	7-8	2
	3			5-6	9-10	13-14	3
	4	5-6	7-8	7-8	11-12	15-16	4
	5			9-10	17-18	21-22	5
	6	9-10	11-12	11-12	19-20	23-24	6
							8

NOTE: Ensure that the label surface area is clean of dirt, oil, and debris. Recommend use of isopropyl alcohol or a simple soap and water solution when wiping down surface area.

UNIVERSAL LABELING DEVICES

Vertical orientation

- Use 3/8" or 3/4" label tape, depending on adapter plate
- Total label length = 2 3/4"
- Panel section is 3/4" W x 2 3/4" H

Horizontal orientation

- Use 3/8" or 3/4" label tape, depending on adapter plate
- Total label length = 4"
- Panel section is 3/4" H x 4" L

ARTWORK PRINT SPECIFICATIONS

PART NUMBER PK-A3188-10-00-0B **REV** _____ **DESCRIPTION** Instruction Sheet

SPECIFICATIONS :

Dimensions: 8.5 x 11
 * Thickness: 20lb
 * Material: _____
 * Finish: _____
 _____ : _____
 * For manuals - designates cover specifications

* Color(s): 1 over 1
 1: Black Spot
 2: _____
 3: _____
 4: _____ CMYK

* Fonts:
 1: _____
 2: _____
 3: _____
 4: _____

Die Line Key: - - - - Perforate
 _____ Die Cut - - - - Fold Line _____ Kiss Cut ::::: Cellophane Glue

MANUAL INTERIORS / BINDERY / FOLD SCHEME :

Body Material: _____
 Thickness: _____
 Bindery
 Die cut Fold Saddle Stitch
 Perfect Bind Drill Trim

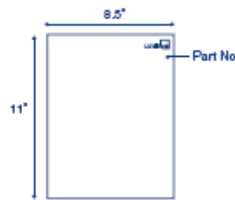
Color(s): _____ over _____
 1: _____ Spot
 2: _____
 3: _____
 4: _____ CMYK

Fonts:
 1: _____
 2: _____
 3: _____
 4: _____

PROCESS :

Offset Flexo
 Other _____
 Line Screen: _____
 Angle: _____
 Resolution: _____

FOLD SCHEME / BINDERY DIAGRAM



_____ Die Cut - - - - Fold Line ● Punch/Drill Hole

COMMENTS :

Print on both sides.

The information in this document is the exclusive PROPRIETARY property of LEVITON MANUFACTURING COMPANY, INC. It is disclosed with the understanding that acceptance or review by the recipient constitutes an undertaking by the recipient. (1) to hold this information in strict confidence, and (2) not to disclose, duplicate, copy, modify or use the information for any purpose other than that for which disclosed.

© 2010 Leviton Mfg. Co., Inc. Unpublished, All Rights Reserved

FOR LEVITON USE ONLY

Approvals: Plant _____ CQA _____ PM _____
 Mktg _____ Eng _____ S & A _____
 Cust _____ Other _____ Other _____

PN-ARN: _____ ECO Number: _____ Pilot Rev: _____

Artist: _____ Artwork Release Date: _____

Notes: _____