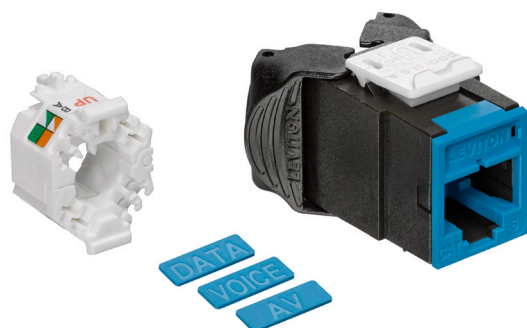


## Atlas-X1® Cat 6 Component-Rated UTP QuickPort® Jack

### APPLICATION

Atlas-X1 Cat 6 Component-Rated UTP QuickPort Jacks support 1000BASE-T networks. The jack is part of a complete Atlas-X1 Cat 6 UTP system, ideal for the most demanding mission-critical network applications. The jack supports emerging technologies and will easily adapt to network trends.



### SPECIFICATION

The jack shall meet or exceed the requirements for channel and component-level electrical transmission performance as described in ANSI/TIA-568.2-D (Cat 6), ISO/IEC 11801-1 (Class E), and EN 50173-1 (Class E). The jack shall be compliant with ANSI/TIA-1096-A, cULus listed, and be independently verified for electrical transmission performance and power delivery. The jack body shall be made of die-cast zinc and all plastic components shall be made of high-impact, fire-retardant plastic rated UL 94V-0. The jack shall support tool-free termination/re-termination and shall not require a specialized termination tool. The jack wiring shall be universal to accommodate T568A and T568B wiring schemes. The jack shall be available in 13 colors; more than established by the ANSI/TIA-606-C standard. The jack shall be offered in standard and shuttered styles and select jacks shall be supplied with interchangeable icons. It shall exceed IEEE 802.3bt standard up to 0.5 amps per conductor (100 watts) continuously.

### DESIGN CONSIDERATIONS

- Use in any QuickPort housing to support Cat 6 UTP connectivity in surface-mount, flush-mount, or modular furniture outlets and field-configurable panels
- Can be used in conjunction with other QuickPort snap-in modules for voice/data/video applications over UTP, coax, and fiber
- To identify ports, use different colored modules and icons (13 ANSI/TIA-606-C compatible colors)
- Robust housing and internal shutter protects the jack in harsh environments

### FEATURES

- Independently tested and guaranteed to exceed all component, permanent link, and channel margins
- Patented Retention Force Technology™ (RFT) protects against tine damage and increases system longevity
- For Power over Ethernet, RFT maintains contact force between plug and jack, preventing arcing from intermittent disconnects
- Unique design supports tool-free termination/re-termination and requires no specialized termination tool
- Short jack design supports a wider range of applications (e.g. shallow boxes, enclosures, bend radius, etc.)
- Terminates from 26 to 22 AWG solid or stranded conductors for use on various cable types
- Robust IDCs can withstand 20 re-termination cycles and jack contacts are tested for 750 plug-mating cycles to ensure system longevity
- Available in 13 ANSI/TIA-606-C compatible colors
- Select jacks available with interchangeable icons (voice, data, A/V, and blank, color coded to match the jack face), for easy identification and tracking of data, voice, or other functions
- Jack with internal shutter protects against dust and debris
- Solid metal body dissipates 53% more heat than traditional plastic, minimizing damage from excess heat in PoE applications
- Tine geometry prevents arcing damage where plug and jack make contact
- Will exceed IEEE 802.3bt standard up to 0.5 amps per conductor (100 watts) continuously
- ETL verified to meet the IEC 60512-99-002 standard for support of IEEE 802.3bt Type 4 PoE (90-watt) applications

### STANDARDS & REGULATIONS

- ANSI/TIA-568.2-D (Cat 6)
- ISO/IEC 11801-1 (Cat 6)
- EN 5017301 (Cat 6)
- ANSI/TIA-1096-A (formerly FCC Part 68)
- cULus Listed (UL 1863)
- UL 2043 Plenum Certified
- IEC 60603-7 (includes IEC 60512-5-2)
- IEC 60512-99-002
- IEEE 802.3bt PoE Type 1 (15.4 Watts) formerly 802.3af, Type 2 (30 Watts) formerly 802.3at, Type 3 (60 Watts), Type 4 (90 Watts)
- Cisco UPoE (60 Watts), UPoE+ (90 Watts)
- Power over HDBaseT™ PoH (95 Watts)
- RoHS 3

### COUNTRY OF ORIGIN

USA

## PRODUCT SPECIFICATIONS

### 61UJK-xx6, ICONS-ICx



#### MECHANICAL SPECIFICATIONS

Dimensions: See below

Materials: **Jack Body:** Die-cast zinc

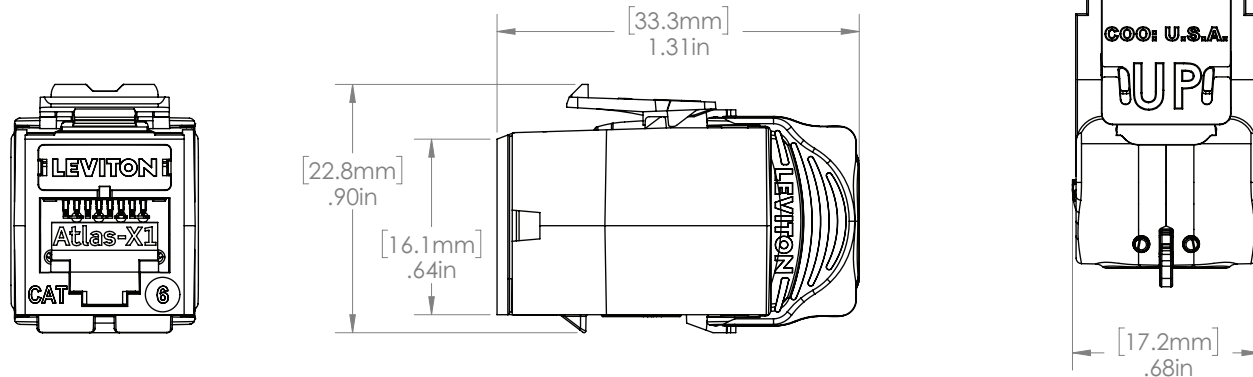
**Spring-Wire Contacts:** High-quality, copper-based alloy, plated with 50 microinches of gold

Temperature (Storage): -40 °C to +70 °C

Temperature (Operating): -10 °C to +60 °C

#### WARRANTY INFORMATION

For Leviton product warranties, go to [leviton.com/warranty](http://leviton.com/warranty)



61UJK-xx6, ICONS-ICx

#### PART NUMBERS

Description	Standard Jack	Jack w/ Internal Shutter	GreenPack™ 12-Pack Standard Jack
Atlas-X1® Cat 6 Component-Rated UTP QuickPort® Jack, white	61UJK-RW6	61UJK-SW6	61UJK-CW6
Atlas-X1 Cat 6 Component-Rated UTP QuickPort Jack, light almond	61UJK-RT6	61UJK-ST6	—
Atlas-X1 Cat 6 Component-Rated UTP QuickPort Jack, ivory	61UJK-RI6	61UJK-SI6	—
Atlas-X1 Cat 6 Component-Rated UTP QuickPort Jack, yellow	61UJK-RY6	61UJK-SY6	—
Atlas-X1 Cat 6 Component-Rated UTP QuickPort Jack, orange	61UJK-RO6	61UJK-SO6	—
Atlas-X1 Cat 6 Component-Rated UTP QuickPort Jack, crimson	61UJK-RC6	61UJK-SC6	—
Atlas-X1 Cat 6 Component-Rated UTP QuickPort Jack, dark red	61UJK-RR6	61UJK-SR6	—
Atlas-X1 Cat 6 Component-Rated UTP QuickPort Jack, purple	61UJK-RP6	61UJK-SP6	—
Atlas-X1 Cat 6 Component-Rated UTP QuickPort Jack, blue	61UJK-RL6	61UJK-SL6	61UJK-CL6
Atlas-X1 Cat 6 Component-Rated UTP QuickPort Jack, green	61UJK-RV6	61UJK-SV6	—
Atlas-X1 Cat 6 Component-Rated UTP QuickPort Jack, gray	61UJK-RG6	61UJK-SG6	—
Atlas-X1 Cat 6 Component-Rated UTP QuickPort Jack, black	61UJK-RE6	61UJK-SE6	61UJK-CE6
Atlas-X1 Cat 6 Component-Rated UTP QuickPort Jack, brown	61UJK-RB6	61UJK-SB6	—

Color-matched icons (ICONS-ICx) can be ordered separately in 72-quantity packs.

Bulk wire managers (AXUJK-BWM) can be ordered separately in 10-quantity packs.

x = icon color



For further support information, visit [leviton.com/ns/support](http://leviton.com/ns/support)

#### NETWORK SOLUTIONS GLOBAL HEADQUARTERS

Bothell, WA, USA | [leviton.com/ns](http://leviton.com/ns)  
(800) 824 3005 / +1 (425) 486 2222 | [appeng@leviton.com](mailto:appeng@leviton.com)

#### NETWORK SOLUTIONS EUROPEAN HEADQUARTERS

Glenrothes, UK | [leviton.com/ns/emea](http://leviton.com/ns/emea)  
+44 (0) 1592 772124 | [customerserviceeu@leviton.com](mailto:customerserviceeu@leviton.com)

Leviton is dedicated to designing, developing and manufacturing sustainable high-performance structured cabling and speciality cabling solutions. Network Solutions products are available worldwide in over 100 countries. Visit us online to learn more.