

Multimedia Outlet System Surface-Mount Box

APPLICATION

The Multimedia Outlet System (MOS) Surface-Mount Box includes three opening for 1-unit MOS modules. The box is ideal for work areas where fiber optic service loop storage and management is desired.



SPECIFICATION

Multimedia boxes shall be surface mount, protruding no more than 1.33" from the wall, and be compatible with NEMA one- and two-gang backboxes, four-square boxes, and Euroboxes. Boxes shall comply with UL 1863, CAN/CSA C22.2 No. 182.4-M90, ANSI/TIA-568-C and ANSI/EIA-606-A standards. Boxes shall be front-loading, configurable with individual ports. Boxes shall provide dual-fiber loop management/storage, and allow UTP jack termination "in port". The dual fiber-optic storage rings shall separate and protect the loop from other media. Box cover shall be capable of screw-down for security. Cover shall provide label ID for the box and each port, in a manner compatible with ANSI/TIA-606 labeling requirements. Boxes shall be available in the following colors: white, light almond, ivory, grey or black.

FEATURES

- Patented dual fiber storage rings protect and store fiber cable, allowing fiber to be routed directly to the desired port, maintaining compliant bend radius
- Two connector termination options: in-port, or on termination decks
- Includes designated area for individual port ID labels
- Single cover latch with screw-down security option

DESIGN CONSIDERATIONS

- Accepts three 1-unit high MOS inserts
- Put blanks in unused ports for future expansion
- Mounts to dual-gang or four-square type electrical boxes or Euroboxes
- Also mounts to modular furniture with Leviton modular furniture mounting brackets (part number 49222-xxx)
- Can be positioned vertically or horizontally, depending upon port exit preference (side or bottom)
- Three sides of the cover have breakouts for surface raceway

INSTALLATION NOTES

- Cover easily closes/removes with a single snap-lock latch
- Cover can also be screwed down; screw is hidden under label window, and a threaded brass insert is included to prevent stripping
- Two options for jack termination: "in-port" or on the central jack termination stations
- Inserts snap into box from front
- See instruction sheet for fiber storage loop routing recommendations

STANDARDS COMPLIANCE

ANSI/TIA-568-C
ANSI/TIA-606-A
UL Listed (UL1863)
CSA Certified (CAN/CSA C22.2 No. 182.4-M90)

PHYSICAL SPECIFICATIONS

Dimensions: See page two
Materials: Box (cover and base) are self-extinguishing ABS plastic, rated UL 94V-0
Installation: Accepts three 1-unit high MOS modules; not compatible with:
41295-Vxx
41292-Dxx
41292-Axx
41295-HDx

COUNTRY OF ORIGIN

Mexico

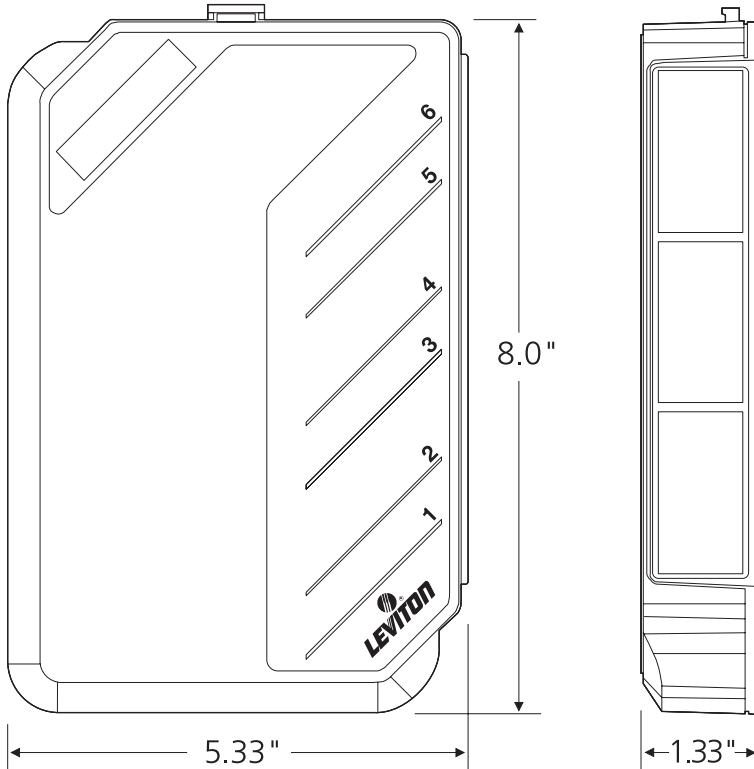
WARRANTY INFORMATION

For a copy of Leviton product warranties, visit www.leviton.com/warranty.

41296-MMx

ELECTRONIC FILES

For CAD files, typical specs, or technical drawings (.DXF, .DWG), visit www.leviton.com.



41296-MMx

PART NUMBER

Description	White	Light Almond	Ivory	Grey	Black
MOS Surface-Mount Box	41296-MW	41296-MMT	41296-MMI	41296-MMG	41296-MME



<p>Leviton Network Solutions 2222 - 222nd St. SE Bothell, WA 98021-4416</p> <p>tel 1-800-824-3005 tel +1-425-486-2222 appeng@leviton.com www.leviton.com</p>	<p>Asia / Pacific T +1.631.812.6228 E infoasean@leviton.com</p>	<p>Canada T +1.514.954.1840 E pcservice@leviton.com</p>	<p>Caribbean T +1.954.593.1896 E infocaribbean@leviton.com</p>	<p>China T +852.2774.9876 E infochina@leviton.com</p>	<p>Colombia T +57.1.743.6045 E infocolombia@leviton.com</p>
	<p>Europe T +44.0.1592.772124 E customerservice@brand-rex.com</p>	<p>India / SAARC T +971.4.886.4722 E infoindia@leviton.com</p>	<p>Mexico T +52.55.5082.1040 E lsamarketing@leviton.com</p>	<p>Middle East & Africa T +971.4.886.4722 E lmeinfo@leviton.com</p>	<p>South Korea T +82.2.3273.9963 E infokorea@leviton.com</p>