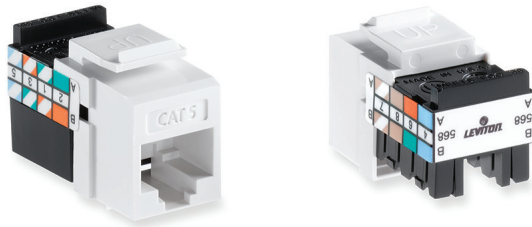


## CAT 5 UTP QuickPort® Connectors

### APPLICATION

The Leviton CAT 5 UTP Connector is designed for use with the QuickPort family of housings, including the Multimedia Outlet System, Decora® inserts, patch panels, and patch blocks.



### SPECIFICATION

CAT 5 Connectors shall be individual snap-in style. The connectors shall be in compliance with all National Electrical Codes and ANSI/TIA-1096-A; UL listed; and independently UL certified to meet CAT 5 requirements. All plastics used in construction of the connector bodies shall be fire retardant with a UL flammability rating of 94 V-0. Termination of all connectors shall be 110-style IDC with solder-plated phosphor bronze contacts. The connector shall provide a ledge directly adjacent to the 110-style termination, against which the wires can be directly terminated and cut in one action by the installer.

### FEATURES

- Features T568A and T568B wiring labels for 110-style terminations
- Available in 13 colors

### DESIGN CONSIDERATIONS

- Use in any QuickPort connector housing to support CAT 5 UTP applications in surface-mount, flush-mount, or modular furniture environments
- Can be used in conjunction with other QuickPort snap-in modules for voice/data and video applications over UTP, coax, and fiber
- For port identification, use different colored connectors for each application (13 connector colors available), or pre-printed Port Designation Labels

### STANDARDS COMPLIANCE

Meets or exceeds all applicable standards: UL listed; meets or exceeds ANSI/TIA-1096-A.

### PHYSICAL SPECIFICATIONS

Dimensions: See page two

Materials: Connector body is high-impact, fire-retardant plastic rated UL 94V-0. Connector 110 IDC contacts are solder-plated phosphor bronze.

### COUNTRY OF ORIGIN

USA

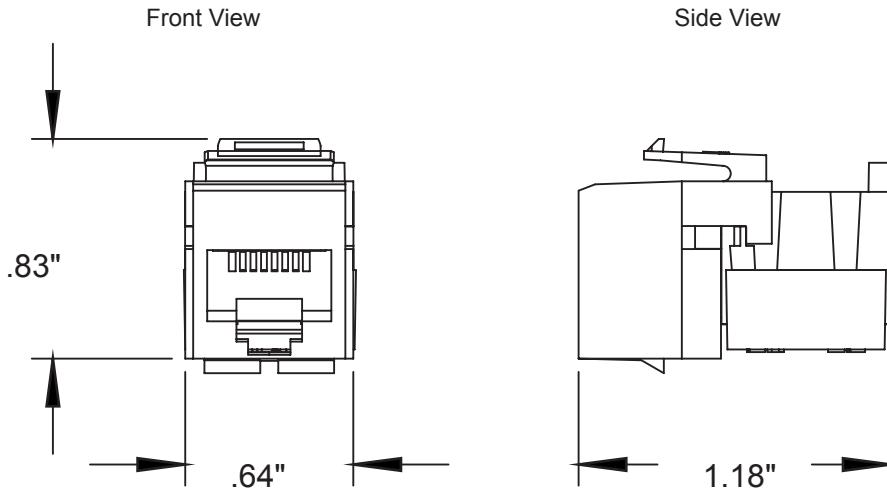
### WARRANTY INFORMATION

For a copy of Leviton product warranties, visit [www.leviton.com/warranty](http://www.leviton.com/warranty).

**ELECTRONIC FILES**

For CAD files, typical specs, or technical drawings (.DXF, .DWG), visit [www.leviton.com](http://www.leviton.com).

41108-Rx5



**PART NUMBERS**

Description	Part No.
CAT 5 UTP QuickPort® 8-conductor Connector	41108-Rx5

x = colors: Ivory (I), White (W), Grey (G), Black (E), Orange (O), Blue (L), Yellow (Y), Dark Red (R), Brown (B), Light Almond (T), Green (V), Purple (P), Crimson Red (C)



<b>Leviton Network Solutions</b> 2222 - 222nd St. SE Bothell, WA 98021-4416  tel 1-800-824-3005 tel +1-425-486-2222 appeng@leviton.com www.leviton.com	<b>Asia / Pacific</b> T +1.631.812.6228 E infoasean@leviton.com	<b>Canada</b> T +1.514.954.1840 E pcservice@leviton.com	<b>Caribbean</b> T +1.954.593.1896 E infocaribbean@leviton.com	<b>China</b> T +852.2774.9876 E infochina@leviton.com	<b>Colombia</b> T +57.1.743.6045 E infocolombia@leviton.com
	<b>Europe</b> T +33.6.8869.1380 E infoeurope@leviton.com	<b>India / SAARC</b> T +91.80.4322.5678 E infoindia@leviton.com	<b>Mexico</b> T +52.55.5082.1040 E lsamarketing@leviton.com	<b>Middle East &amp; Africa</b> T +971.4.886.4722 E lmeinfo@leviton.com	<b>South Korea</b> T +82.2.3273.9963 E infokorea@leviton.com