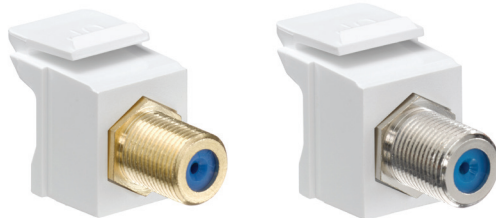


Feedthrough QuickPort® F-Connectors

APPLICATION

Nickel or gold-plated female-to-female 75 Ω connectors feature screw-on front and rear connections. Pass through design applications: TV, VCR, DVD, satellite, and home theater. Cable: coaxial cable terminated with “F” plugs. QuickPort F-Type Adapters snap into any QuickPort housing, including flush- and surface-mount outlets, Multimedia Outlet System (with adapter), Decora® Inserts, patch panels, and patch blocks.



40831-FxG

41084-FxF

SPECIFICATION

The modules for coaxial cable shall be individual QuickPort snap-in style female-to-female bulkhead adapters, and shall fit all other installed telecommunications wallplates, outlets, and field-configurable patch panels and patch blocks. Bulkhead modules shall be available in multiple colors to match the housings or provide unique color-coding for port ID. Modules shall be UL listed. All plastics used in construction of the module bodies shall be fire retardant. Module with nickel-plated connector body shall have a tin-plated center conductor contact. Module with gold-plated connector body shall have a gold-plated center conductor contact.

FEATURES

- Compatible with all QuickPort wallplates and housings
- Frequency range equals DC-3.0 GHz
- Female-female adapter for quick screw-on connections
- 41084-FxF features a nickel-plated connector body with tin-plated center conductor contact
- 40831-FxG features a gold-plated connector body with a gold-plated center conductor contact

DESIGN CONSIDERATIONS

- F-type connector works for all coax applications
- QuickPort bulkhead modules snap into any QuickPort housing, including flush- and surface-mount outlets, Multimedia Outlet System (with adapter), patch panel, and patch blocks
- Check clearance behind proposed location of bulkhead module to ensure space for proper bend-radius

STANDARDS COMPLIANCE

- cULus Listed (UL 1863, CAN/CSA-C22.2 No. 182.4-1990)
- Society of Cable Telecommunications Engineers (SCTE) Compliant

PHYSICAL SPECIFICATIONS

Dimensions: See page two
Materials: Zinc die-cast body with machined threads
Insulation: Polypropylene

COUNTRY OF ORIGIN

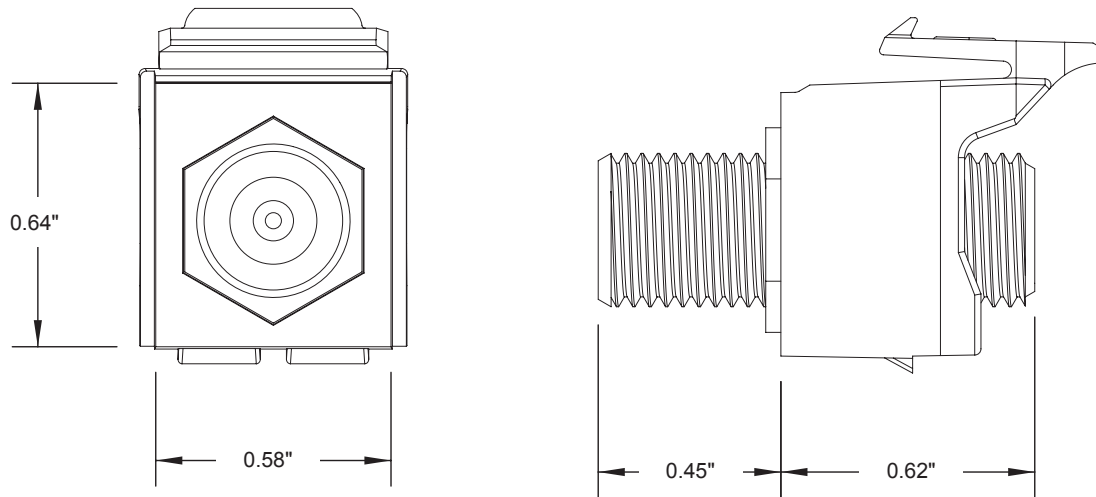
China, Taiwan, or Vietnam

WARRANTY INFORMATION

For a copy of Leviton product warranties, visit www.leviton.com/warranty.

ELECTRONIC FILES

For CAD files, typical specs, or technical drawings (.DXF, .DWG), visit www.leviton.com.



41084-FxF, 40831-FxG

PERFORMANCE SPECIFICATIONS

Frequency Range	DC - 3.0 GHz (Nickel) DC - 3.0 GHz (Gold)
Insertion Loss	≤ 0.2 dB @ 3.0 GHz (Nickel) ≤ 0.2 dB @ 3.0 GHz (Gold)
Return Loss	≥ 26 dB @ 3.0 GHz (Nickel) ≥ 26 dB @ 3.0 GHz (Gold)
Electrical Impedance	75 Ω
Contact Resistance	< 4 Milliohms
Holding Force	> 160 Grams Initial > 120 Grams after Insertion

PART NUMBERS

Description	IVORY	WHITE	LT. ALMOND	GREY	BLACK	BROWN
Feedthrough QuickPort® F-Connectors, nickel plated	41084-FIF	41084-FWF	41084-FTF	41084-FGF	41084-FEF	41084-FBF
Feedthrough QuickPort F-Connectors, gold plated	40831-FIG	40831-FWG	40831-FTG	—	—	—



Leviton Network Solutions
 2222 - 222nd St. SE
 Bothell, WA 98021-4416

Asia / Pacific
 T +1.631.812.6228
 E infoasean@leviton.com

Canada
 T +1.514.954.1840
 E pcservice@leviton.com

Caribbean
 T +1.954.593.1896
 E infocaribbean@leviton.com

China
 T +852.2774.9876
 E infochina@leviton.com

Colombia
 T +57.1.743.6045
 E infocolombia@leviton.com

tel 1-800-824-3005
 tel +1-425-486-2222
 appeng@leviton.com
 www.leviton.com

Europe
 T +44.0.1592.772124
 E customerserviceeu@leviton.com

India / SAARC
 T +971.4.886.4722
 E infoindia@leviton.com

Mexico
 T +52.55.5082.1040
 E lsamarketing@leviton.com

Middle East & Africa
 T +971.4.247.9800
 E lmeinfo@leviton.com

South Korea
 T +82.2.3273.9963
 E infokorea@leviton.com