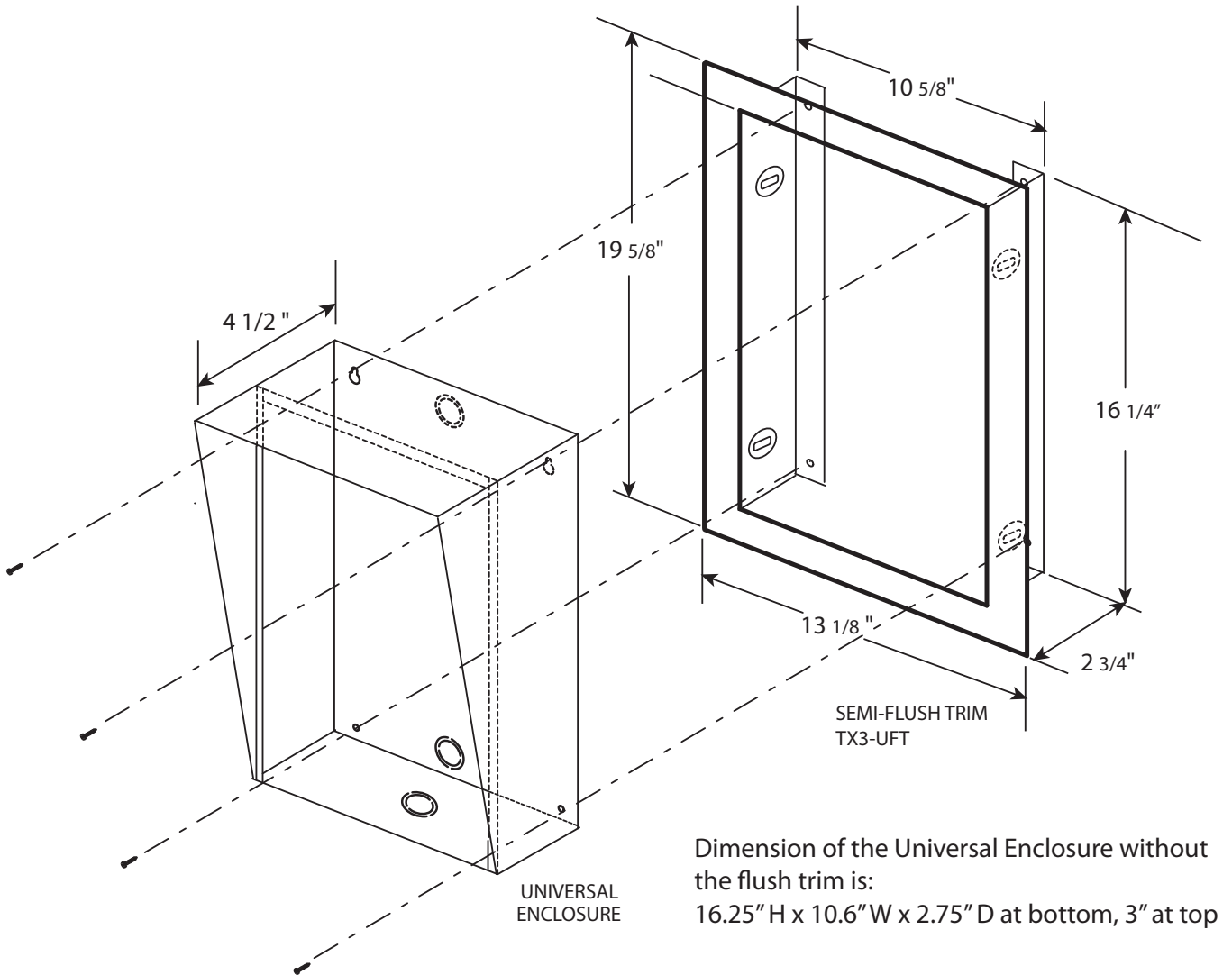


Model TX3-UFT and TX3-USFT Universal Series Flush Trim Rings Installation Instructions

Enclosure Mounting

The TX3-UFT Universal Series Flush Trim Ring is used to semi-flush mount the universal series enclosure. See Figure 1 below. To surface mount the enclosure use the supplied screws and the four mounting holes at the back of the enclosure.

Figure 1: TX3-UFT Universal Series Flush Trim Ring



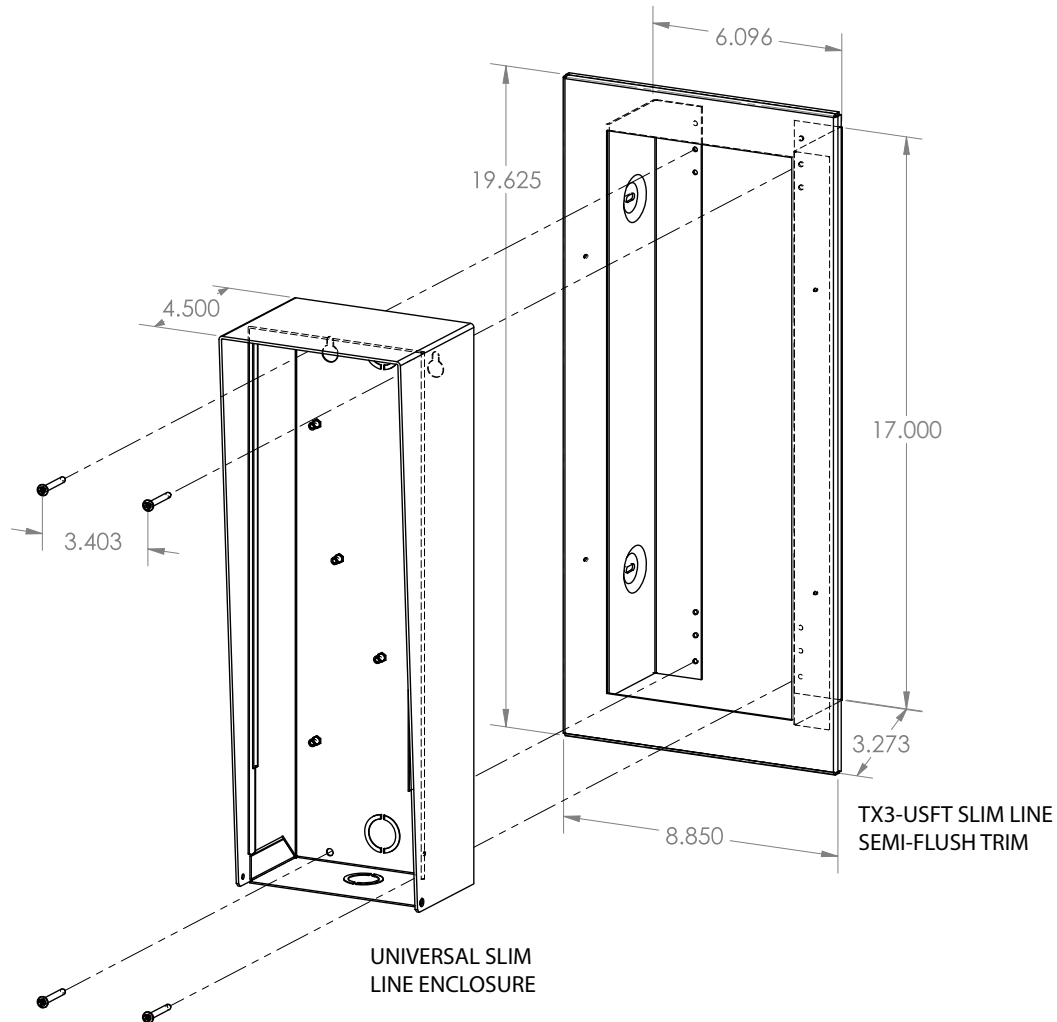
Installation instructions for semi-flush mounting of the Universal Lobby Unit Enclosure

1. Mount the semi-flush trim into the wall cut out, attach to the wall stud, left or right using the two slot holes on the side of the semi-flush trim ring.
2. Place the universal entry panel with the rain hood, inside the trim.
3. Secure the entry panel enclosure and the semi-flush trim using the four screws provided.



Note: For surface mount, mount only the enclosure including the rain hood to the wall using the four screws.

Figure 2: TX3-USFT Slim Line Universal Flush Trim Ring



Dimension of the Universal Sline Line Enclosure without the semi flush trim is:
16.625" H x 5.85" W x 3.44" D at bottom, 4.5" D at top

Installation instructions for semi-flush mounting of the Slim Line Universal Entry Panel Enclosure

1. Mount the semi-flush trim into the wall cut out, attach to the wall stud, left or right using the two slot holes on the side of the semi-flush trim ring.
2. Place the slim line universal entry panel with the rain hood, inside the trim.
3. Secure the entry panel enclosure and the semi-flush trim using the four screws provided.



Note: For surface mount, mount only the enclosure including the rain hood to the wall using the four screws.