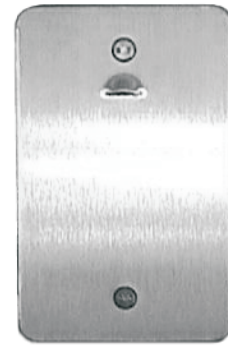


DESCRIPTION

The Verifact[®] Models D and D-V are omnidirectional, low impedance, electret condenser microphones with built-in preamp. They can pick up normal sounds approximately 15' away if mounted to a wall, or within a 30' circle if ceiling mounted. The Verifact[®] D microphone is mounted to the back of a single gang stainless face plate. Verifact[®] D-V is designed for correctional facilities, or areas where vandalism is a concern. It contains the identical electronics as the Verifact[®] D Microphones but is mounted to a 16 gauge stainless steel face plate. Microphone opening of Verifact[®] D-V is a hooded audio port for providing protection to the microphone. Tamper proof screws are included with the Verifact[®] D-V.



Verifact[®] D



Verifact[®] D-V

Both Verifact[®] D and D-V fit into a standard single gang electrical box (not supplied).



SPECIFICATIONS

■ Sensitivity	-45 dBV/Pa 1 Pa = 94 dB SPL
■ Frequency Response	50 Hz to 15 kHz
■ Output	Line Level (0 dBV, 600Ω @ 1kHz)
■ Current Drain	10mA
■ Supply Voltage	12 Vdc
■ Microphone Housing	Stainless faceplate
■ Dimensions (Faceplate)	2 3/4" W x 4 1/2" H
■ Weight	D 2.5 oz DV 4 oz
Shipping Weight	1 lb

IMPORTANT NOTICE

When this equipment is used as part of an audio monitoring system, the law requires that the public be given notice of AUDIO MONITORING ON THE PREMISES. A decal notice is included with each microphone shipped.



Federal Law References:
 Federal Regulations, US Code, Title 18.
 Crime and Criminal Procedure, Sec 2510.

WARRANTY

LOUROE ELECTRONICS warrants that at the time of shipment products manufactured by LOUROE ELECTRONICS to be free of defects in material and workmanship. Should a defect appear within one year (60 months) from date of shipment, LOUROE ELECTRONICS will, at its sole discretion, repair or replace the defective equipment. This equipment shall not be accepted for repair or return without prior notification by LOUROE ELECTRONICS.

This warranty does not extend to any Louroe product that has been subjected to improper or incorrect installation, misuse, accident, or in violation of installation instructions provided by LOUROE ELECTRONICS.

Returned shipments to LOUROE ELECTRONICS shall be at customer's expense. LOUROE ELECTRONICS will return the equipment prepaid via best way.

INSTALLATION AND OPERATING INSTRUCTIONS

MECHANICAL INSTALLATION:

Verifact® D and D-V microphones are designed to be installed in a single gang electrical box for flush or surface mounting to a wall or ceiling. It should be positioned 3 to 6 ft. from the area of desired coverage. Ceiling heights in excess of 10 ft. should be avoided.

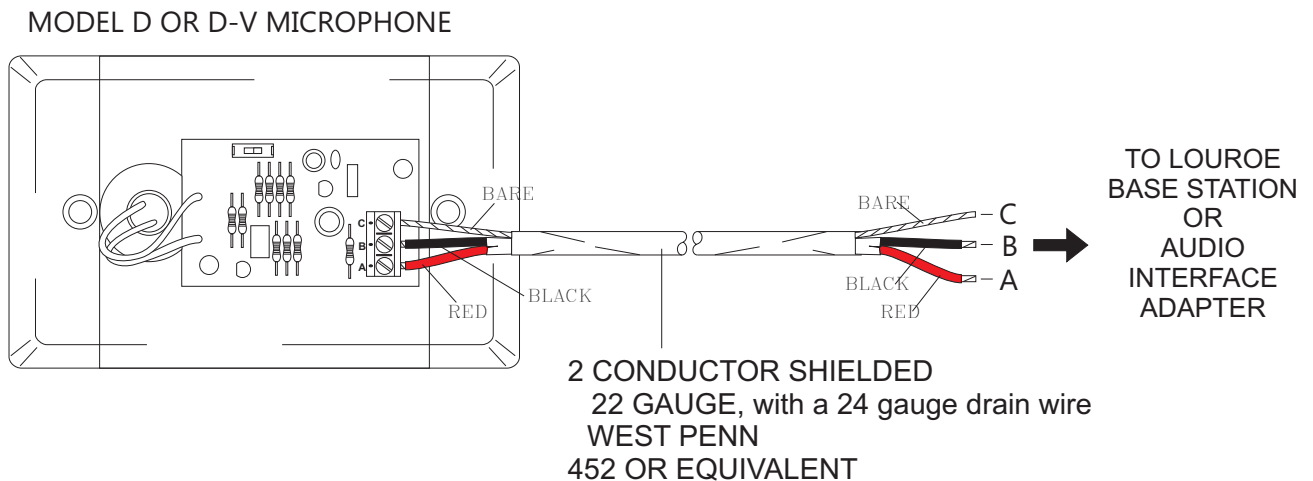
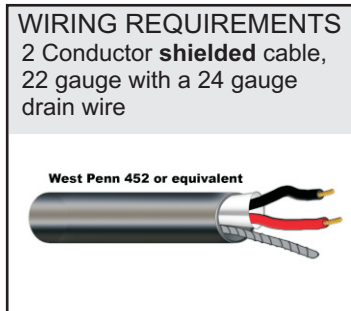
MICROPHONE CONNECTION:

Verifact® D and D-V Microphones connect directly to any Louroe Audio Base Station or to a Louroe Audio Interface (Model IF-1, IF-2, IF-4 and IF-8). A small terminal block is located on the microphone pre-amp, and marked A, B, C.

Using recommended cable, connect as follows:

- Red wire connects to terminal A (+12Vdc)
- Black wire connects to terminal B (audio output)
- Bare wire connects to terminal C (ground)

If using cable from other manufacturers, color code may vary.



CONNECTING VERIFACT® D OR D-V MICROPHONE TO A LOUROE BASE STATION OR AUDIO INTERFACE ADAPTER (IF-1, IF-4 or IF-8)

All Louroe base stations and audio interface adapters have a corresponding terminal block marked A, B C for each audio zone. Bring in other end of cable from the microphone and connect to the terminal block (or blocks) matching

- A to A
- B to B
- C to C

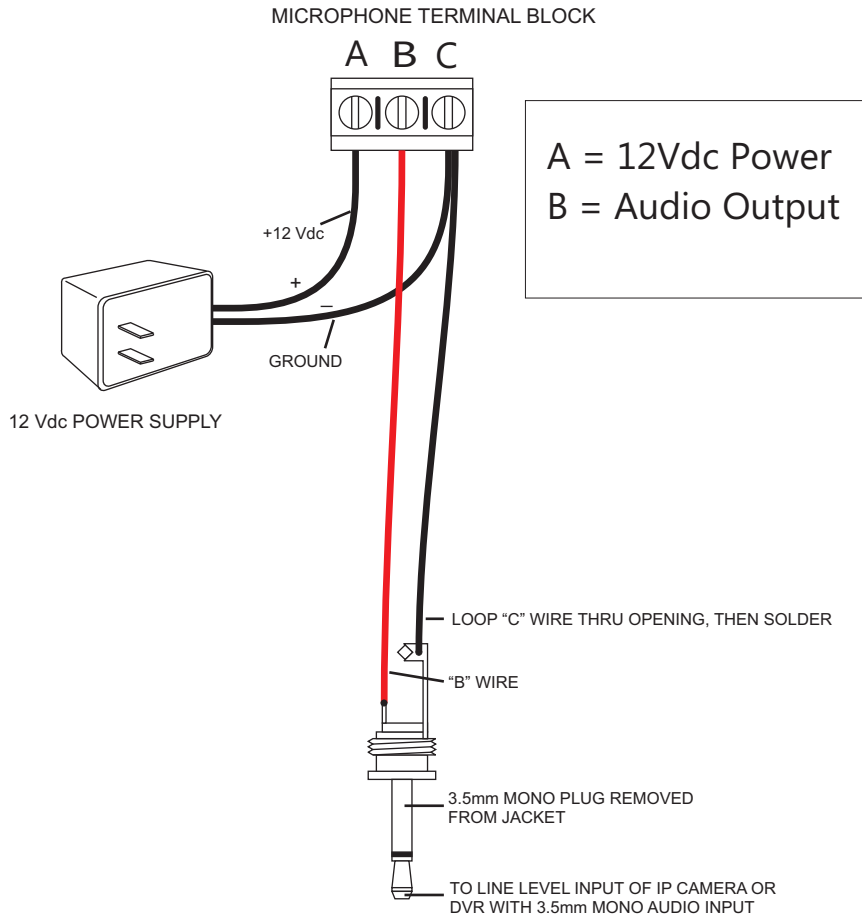
Maximum cable run between microphone and base station/interface adapter is 1,000 ft.

INSTALLATION AND OPERATING INSTRUCTIONS

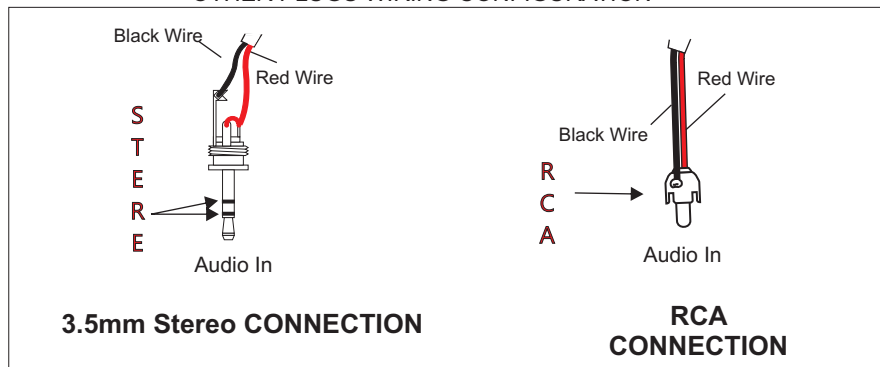
CONNECTING VERIFACT[®] D OR D-V MICROPHONES TO OTHER AUDIO RECEIVING DEVICES

If a Louroe audio base station or interface adapter is not used and microphone is to be connected directly to another audio receiver, use the following procedure:

1. Apply 12 Vdc power (100mA minimum) to PC board's terminals A and C. A is positive, C is ground.
2. Using a single conductor shielded cable, 22 gauge with a 24 gauge drain wire, connect shielded wire to terminal B and drain wire to terminal C (C is common).
3. Run other end of cable to the audio receiver. If audio input is an RCA connection, solder on an RCA connector with wire from terminal B of microphone going to the tip of the RCA plug, and wire from terminal C going to the sleeve of the plug. Connect RCA plug into "audio in" of the audio source. If connection to the audio source is a terminal block or strip, refer to audio receiver's instructions for proper connection. See wiring configuration below for different audio plugs (black wire is used instead of bare wire for ground)



OTHER PLUGS WIRING CONFIGURATION



**MANUFACTURED
IN THE**

