

# Kwikset



## SMARTCODE 916

TOUCHSCREEN ELECTRONIC DEADBOLT



The SmartCode 916 features a capacitive touchscreen with Kwikset's patented SecureScreen™ technology to prevent code detection from fingerprints on the touchscreen. The contemporary design complements homes with a modern décor.

### Features

- New contemporary design
- 10 digit capacitive touchscreen with one touch locking
- Motorized deadbolt - enables true remote locking and unlocking
- SecureScreen™ - helps to ensure user codes cannot be identified by examining fingerprints on screen
- Sleek metal design for enhanced quality

### User Codes

- Up to 30 customizable user access codes for family & guests
- Mastercode feature for improved user access code management

### Connected Benefits

- Lock & Unlock your doors from anywhere
- View lock status and receive notifications of your lock's activity
- Connect to other devices in the home and create scenes driven by the door lock

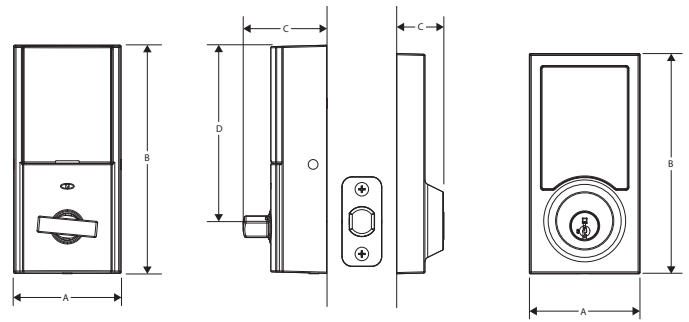
*Consult your system provider to learn more about your connected benefits*

THE LEADER IN RESIDENTIAL SECURITY

## Specifications

<b>Function</b>	Single Cylinder Deadbolt
<b>Door Prep</b>	2 1/8" diameter face hole & 1" diameter latch hole
<b>Backset</b>	Adjustable 2 3/8" or 2 3/4"
<b>Door Thickness</b>	1 3/8" - 2 1/8" automatic adjustment
<b>Cylinder</b>	SmartKey® Re-key Technology
<b>Faceplates</b>	1" x 2 1/4" round corner standard
<b>Strikes</b>	Round corner strike 2 3/4" x 2 1/8"
<b>Latch</b>	Round corner adjustable 2 3/8" x 2 3/4"
<b>Bolt</b>	1" throw, steel deadbolt
<b>Door Handing</b>	Reversible
<b>Wireless Protocol</b>	Z-Wave 500; lock complies with Z-Wave standard of open air, line of sight transmission of 160 feet or more. Compliant with FCC Part 15, Industry Canada.  *Range may vary depending on radio frequency environment. Work with your home control platform to optimize range

## Dimensions



Design	A	B	C	D
Interior	2 11/16" (68.6 mm)	5 3/4" (145.8 mm)	2 3/32" (53.3mm)	4 9/16" (116.1 mm)
Exterior	2 25/32" (70.7 mm)	5 17/32" (140.7 mm)	1 3/16" (29.8 mm)	---

## Easy Installation

- Replaces existing door hardware with just a screwdriver
- No hard wiring needed
- Operates on 4 AA batteries that will last for approximately 1 year

## Innovative Security

- BHMA Grade 2 certified
- 20 Minute fire rating - UL certified
- Full 128-bit encryption security
- Featuring Smartkey Security™
- Revolutionary tapered deadbolt design—enables misaligned doors to lock without pulling and pushing your door shut

## Finishes



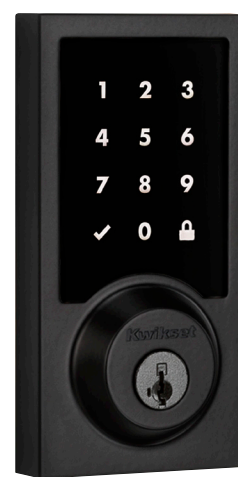
**99160-016**  
916CNT ZW500 15 RCALFD  
Satin Nickel **15**



**99160-017**  
916CNT ZW500 11P RCALFD  
Venetian Bronze **11P**



**99160-018**  
916CNT ZW500 26 RCALFD  
Polished Chrome **L03**



**99160-028**  
916CNT ZW500 514 RCALFD  
Matte Black **514**

FINISH AND  
**LIFETIME WARRANTY**  
MECHANICAL  
  
ONE YEAR  
ELECTRONIC WARRANTY



# Kwikset

kwikset.com/wirelesslocks • 866-863-6584 • connected@kwikset.com

© 2020 Spectrum Brands, Inc. Kwikset is a trademark of Spectrum Brands, Inc. Lake Forest, CA 92610 • 357467-05/2020