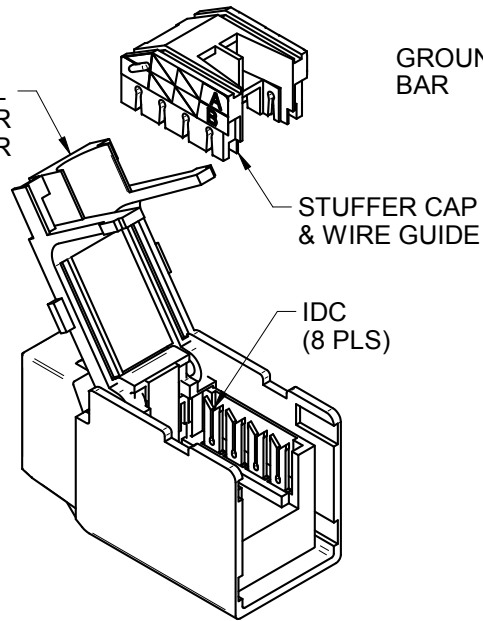


INTEGRAL HINGED COVER with GROUND BAR

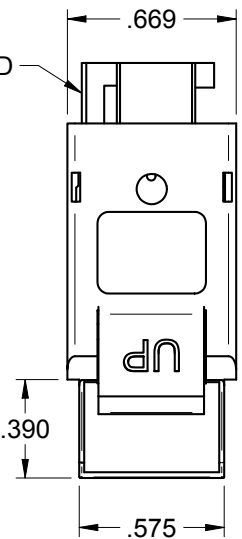


EXPLODED VIEW

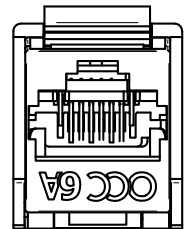
GROUND BAR

STUFFER CAP & WIRE GUIDE

IDC (8 PLS)

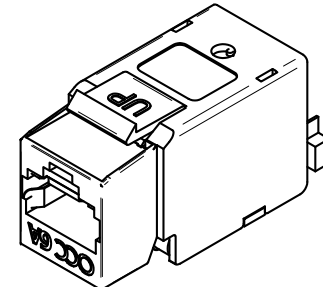


TOP

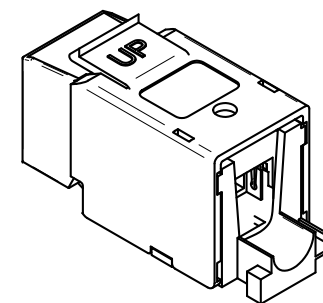


FRONT

"OPTICAL CABLE CORPORATION (OCC) RESERVES THE RIGHT TO REVISE ANY JACK ASSEMBLY SPECIFICATIONS."

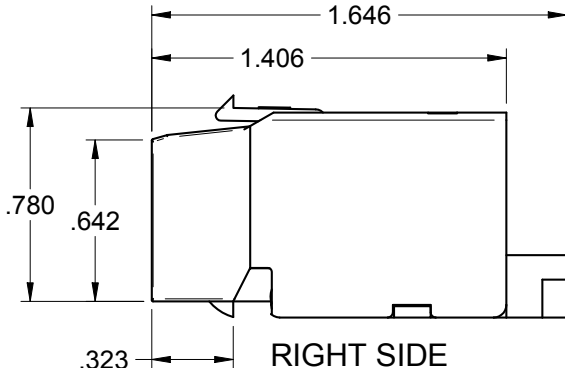


ISOMETRIC (FRONT)



ISOMETRIC (REAR)

GROUND BAR ACCEPTS STANDARD FEMALE SPADE-LUG TERMINAL



RIGHT SIDE

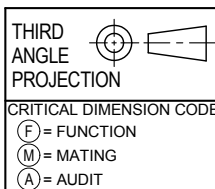
APPLICATIONS SUPPORT LIST:

- IEEE 802.3an 10G BASE-T ETHERNET
- 1000 BASE-T GIGABIT ETHERNET
- 100 BASE-TX ETHERNET
- 10 BASE-T ETHERNET
- BROADBAND VIDEO
- 155/622 MBPS ATM
- 4/16 MBPS TOKEN RING
- VOICE (POTS)
- ALL OTHER APPLICATIONS DEVELOPED FOR OPERATIONS OVER CATEGORY 6A or CLASS E_A CABLING.

SPECIFICATIONS:

- FULLY SHIELDED RJ45 CATEGORY 6A 90° TOOL LESS KEYSTONE JACK
- MODULAR JACK CONTACTS ARE PHOSPHOR BRONZE ALLOY PLATED WITH 50 μ INCHES OF GOLD
- 110 STYLE IDC CONNECTORS ARE 100 μ INCHES
- 100% TIN ALLOY OVER PHOSPHOR BRONZE
- UNIVERSAL JACK WIRING LABEL
- ZINC ALLOY HOUSING FULLY SHIELDED FROM EXTERNAL NOISE
- CIRCUIT BOARD MATERIALS ARE FIBERGLASS/EPOXY FR-4
- ALL PLASTIC COMPONENTS ARE HIGH IMPACT, SELF-EXTINGUISHING, RATED UL 94V-0
- PC BOARD TECHNOLOGY
- UL 1863 LISTED AND CSA CERTIFIED
- REDUCED INSTALLATION TIME
- ANSI/TIA-568-C.2 CATEGORY 6A ISO/IEC 11801:2002 AMENDMENT 2 Class E_A
- IEC 60603-7-51
- IEC 60603-7 AND IEC 60603-7-1
- QUICK GROUNDING BAR DESIGN
- COMPATIBLE WITH 6 POSITION MODULAR PLUG

REVISION HISTORY				
REV	SHT	DESCRIPTION	DATE	CHECKED
A	ALL	RELEASE NEW	4/2/13	SV



UNCONTROLLED COPY	
UNLESS OTHERWISE SPECIFIED DIMENSIONS ARE IN INCHES. TOLERANCES: FRACTIONS ±1/32" ANGLES ±1/2° 3 PLACE DECIMALS ±.005" 2 PLACE DECIMALS ±.01"	THIS DRAWING AND THE DESIGN SHOWN ARE THE PROPERTY OF OPTICAL CABLE CORPORATION AND MAY NOT BE USED AS THE BASIS FOR MANUFACTURE OR SALE WITHOUT SPECIFIC WRITTEN PERMISSION OF OPTICAL CABLE CORPORATION.
MATERIAL SEE BILL OF MATERIAL	FINISH SEE NOTES

K6AS	JACK, KMJ, CAT 6A, SHLD, NARROW, DIE CAST, OCC
OCC PART NO.	DESCRIPTION
<p>UNCONTROLLED COPY</p> <p>THIS DRAWING AND THE DESIGN SHOWN ARE THE PROPERTY OF OPTICAL CABLE CORPORATION AND MAY NOT BE USED AS THE BASIS FOR MANUFACTURE OR SALE WITHOUT SPECIFIC WRITTEN PERMISSION OF OPTICAL CABLE CORPORATION.</p>	
DRAWN D.A.HOLBERT CHECKED S. PORACH ENGINEER J.YANIK APPROVED S. VADEN PREVIOUS DWG NEXT DWG	DATE 4/2/13 DATE 4/2/13 DATE 4/2/13 DATE 4/2/13
<p>OPTICAL CABLE CORPORATION</p> <p>5290 Concourse Drive Roanoke, VA 24019 Phone: 800-622-7711 Fax: 540-265-0724 www.occfiber.com</p>	
DWG TITLE CUSTOMER DRAWING, JACK ASSEMBLY, KMJ, CAT 6A, SHIELDED, NARROW, DIE CAST	
SIZE B	DWG NO. C111459
FILENAME C111459A.dft	SCALE: NONE SHEET 1 OF 1

REV A