



AM7315/64

High Power 3-Way Loudspeaker with 1 x 15" LF Driver & Rotatable Horn

Professional Series

Key Features:

- ▶ 60° x 40° Coverage, rotatable for use in either vertical or horizontal orientation.
- ▶ 2265H Differential Drive® Low-Frequency Driver
- ▶ CMCD™ Cone Midrange Compression Driver provides low midrange distortion, increased sensitivity, extended bandwidth and improved phase coherency.
- ▶ 2432H High-Frequency Compression Driver
- ▶ PT™ Progressive Transition Waveguide for excellent pattern control with low distortion.
- ▶ Bi-Amp/Tri-Amp Switchable.
- ▶ Optional planar array frame kit (see AE Series Array Guide).

Applications:

- ▶ Performing arts facilities
- ▶ Theatrical sound design
- ▶ Auditoriums
- ▶ Houses of worship
- ▶ Live clubs
- ▶ Dance-clubs/discotheques
- ▶ Sports facilities
- ▶ Themed entertainment venues

AM7315/64 is a high power 3-way full-range loudspeaker system comprised of one 380 mm (15 in) Differential Drive® low frequency driver, one 200 mm (8 in) CMCD Cone Midrange Compression Driver, and one 38 mm (1.5 in) exit/75 mm (3 in) voice-coil HF compression driver. The multi-band PT Progressive Transition mid-high frequency waveguide provides well-controlled 60° by 40° coverage and is rotatable for cabinet positioning in either horizontal or vertical orientation. High-slope crossovers minimize band overlap and well-controlled off-axis response enhances arrayability.

The cabinet is fitted with M10 threaded suspension points. Pre-engineered array bracketry is available.

AM7315/64 is part of JBL's AE Application Engineered Series, a versatile family of loudspeakers for a wide variety of fixed installation applications.



Specifications:

System:	
Frequency Range ¹ (-10 dB):	38 Hz – 20 kHz
Frequency Response ¹ (±3 dB):	45 Hz – 18 kHz
Coverage Pattern:	60° x 40°, rotatable waveguide
Directivity Factor (Q):	20
Directivity Index (DI):	13 dB
Crossover Modes:	Tri-amp/Bi-amp switchable
Crossover Frequencies ² :	300 Hz and 2.3 kHz
Transducer Power Rating (AES):	LF: 1000 W (4000 W peak), 2 hrs 750 W (3000 W peak), 100 hrs MF: 350 W (1400 W peak), 2 hrs HF: 100 W (400 W peak), 2 hrs
Long-Term System Power Rating (IEC):	LF: 600 W (2400 W peak), 100 hrs MF/HF: 200 W (800 W peak), 100 hrs
Maximum SPL:	LF: 127 dB-SPL cont avg (133 dB peak) Tri-amp mode: MF: 133 dB-SPL cont avg (139 dB peak) HF: 135 dB-SPL cont avg (141 dB peak) Bi-amp mode: MF/HF: 133 dB-SPL cont avg (139 dB peak)
System Sensitivity of Passive Sections ³ (1W @ 1m):	MF/HF Section in Bi-amp mode: 108 dB SPL
Transducers:	
Low Frequency Driver:	1 x JBL 2265H 380 mm (15 in) Differential Drive® driver with 75 mm (3 in) dual voice coil
Nominal Impedance:	8 ohms
Sensitivity ⁴ (1W @ 1m):	97 dB SPL
Midrange Driver:	JBL CMCD-82H Cone Midrange Compression Driver with integral 200 mm (8 in) diameter Differential Drive® dual voice coil internal driver
Nominal Impedance:	8 ohms
Sensitivity ⁴ (1W @ 1m):	108 dB SPL
High Frequency Driver:	JBL 2432H, 38 mm (1.5 in) exit compression driver, 75 mm (3 in) voice coil
Nominal Impedance:	8 ohms
Sensitivity ⁴ (1W @ 1m):	115 dB SPL
Waveguide:	PT-K64MH
Physical:	
Enclosure:	Trapezoidal with 15 degree side angles, 16 mm (5/8 in) exterior grade 11-ply Finnish birch plywood
Suspension Attachment:	13 points (3 top, 3 bottom, 2 each side, 3 rear), M10 threaded hardware
Finish:	Black DuraFlex™ finish. White available upon request.
Grille:	Powder coated 14 gauge perforated steel, with acoustically transparent black foam backing.
Input Connector:	NL8 Neutrik Speakon® and CE-compliant covered barrier strip terminals. Barrier terminals accept up to 5.2 sq mm (10 AWG) wire or max width 9 mm (.375 in) spade lugs. Speakon in parallel with barrier strip for loop-through.
Environmental Specifications:	Mil-Std 810; IP-x3 per IEC529.
Dimensions (H x W x D in vertical cabinet orientation):	967 x 561 x 657 mm (38.1 x 22.1 x 25.9 in)
Net Weight:	45.8 kg (101 lb)
Optional Accessories:	M10 x 35 mm forged shoulder eyebolts with washers Optional planar array frame kit. See AE Series Bracket Guide.

¹Bi-amp mode, with recommended active tuning.

²Resultant engineered acoustical response of crossover network and components.

³AES standard, one decade pink noise with 6 dB crest factor within device's operational band, free air. Standard AES 2 hr rating plus long-term 100 hr rating are specified for low-frequency transducers.

⁴IEC standard, full bandwidth pink noise with 6 dB crest factor, 100 hrs, with recommended active bi-amp tuning.

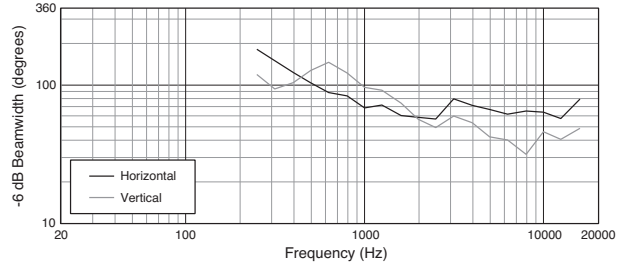
⁵Calculated based on power rating and sensitivity, exclusive of power compression.

⁶Anechoic sensitivity in free field, no additional sensitivity gain from boundary loading.

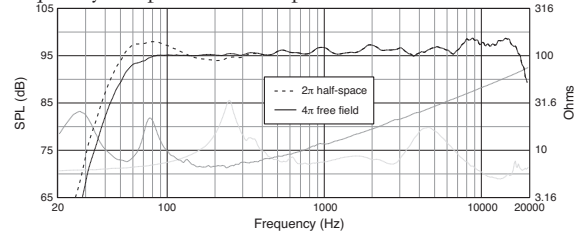
JBL continually engages in research related to product improvement. Changes introduced into existing products without notice are an expression of that philosophy.

▶ AM7315/64 High Power 3-Way Loudspeaker with 1 x 15" LF Driver & Rotatable Horn

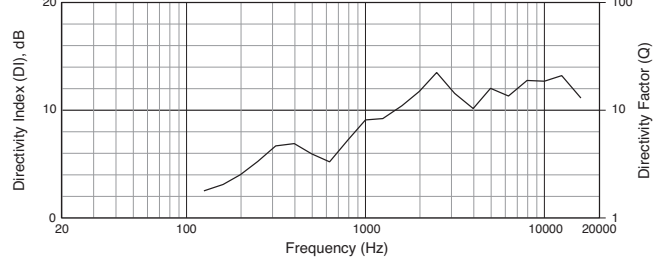
Beamwidth



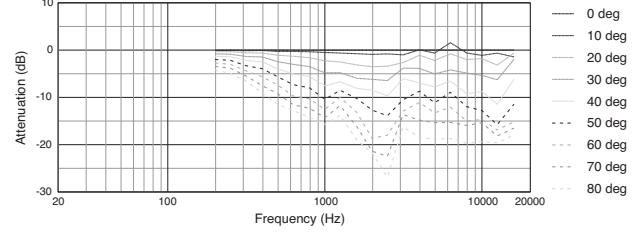
Frequency Response and Impedance



Directivity Index, Q

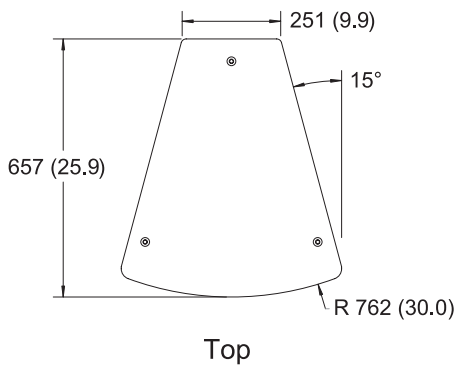


Horizontal Off-Axis Frequency Response

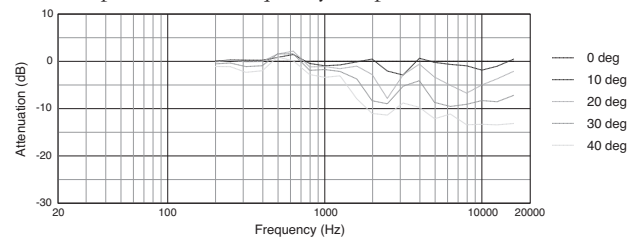


Dimensions

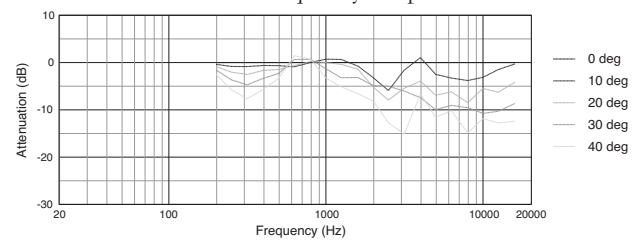
Dimensions in mm (in)
 For more detailed dimensional information, refer to Application Data Sheet.
 For AE & AE Compact Series WRC and WRX versions please visit the JBL Pro website at <http://www.jblpro.com/www/products/installed-sound/ae-series#.V63kVfkrLIV> to download Drawings.



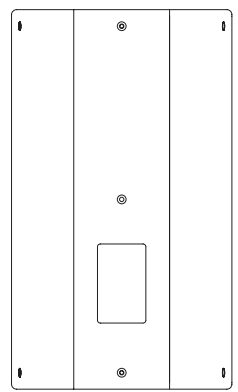
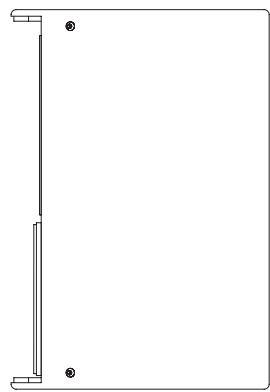
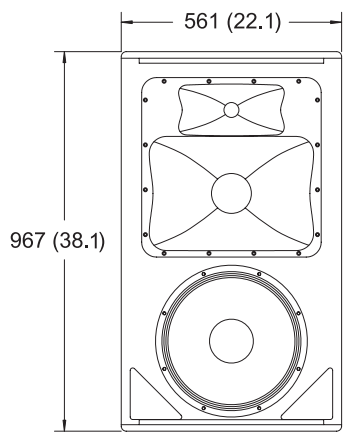
Vertical Up Off-Axis Frequency Response



Vertical Down Off-Axis Frequency Response



Measurements obtained in bi-amplified crossover mode with recommended active tuning. Graphs are from unaltered measured data.

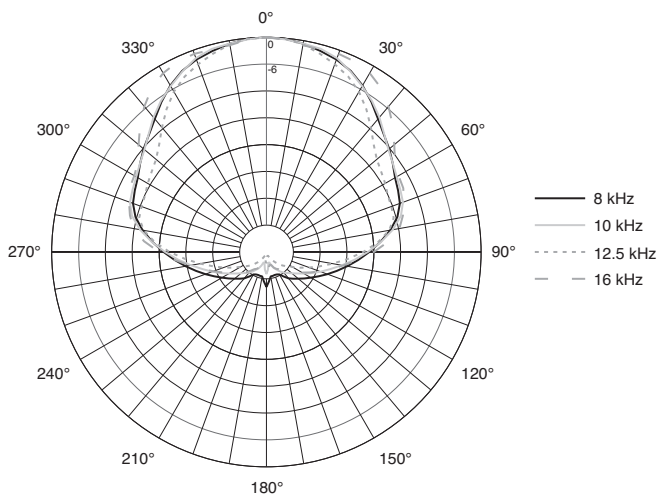
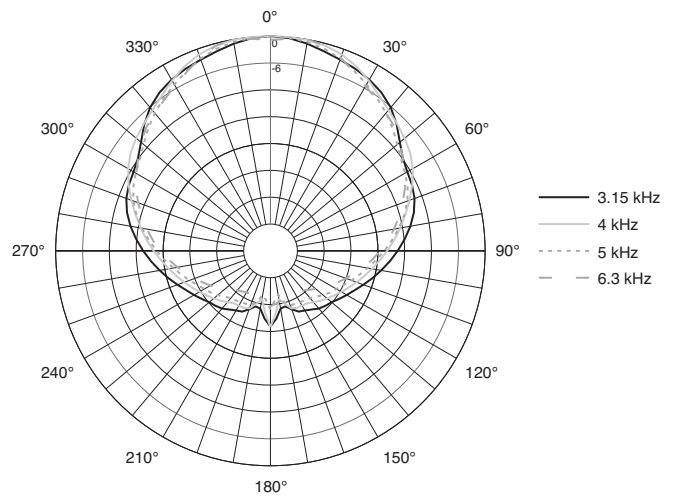
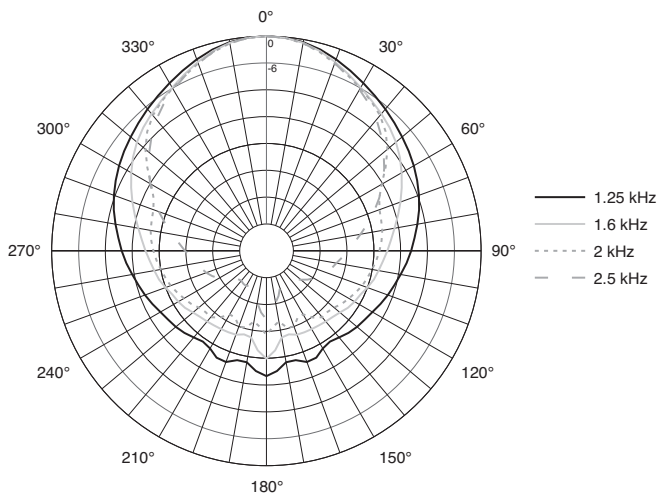
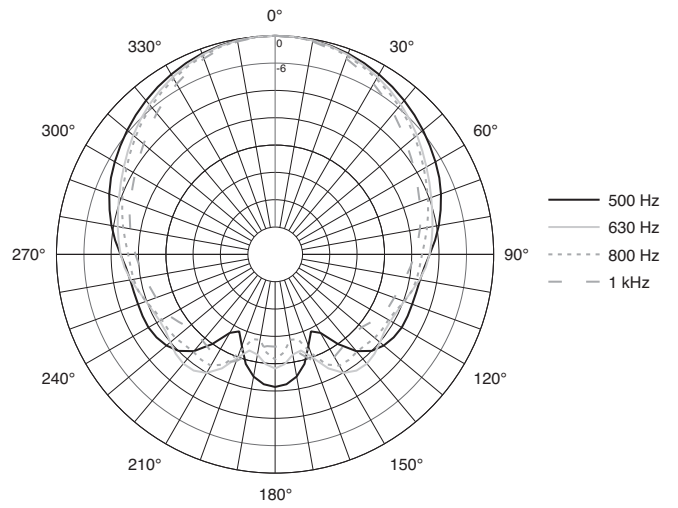
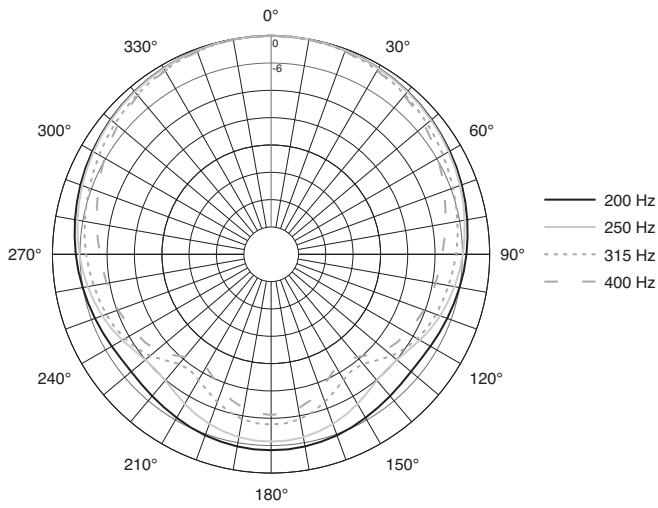


Front

Side

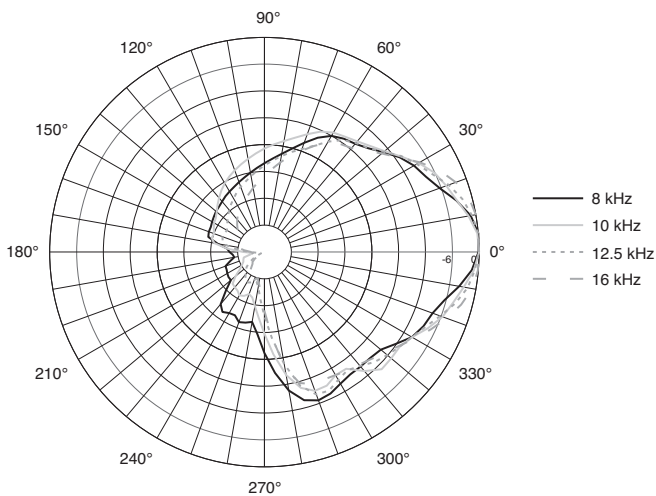
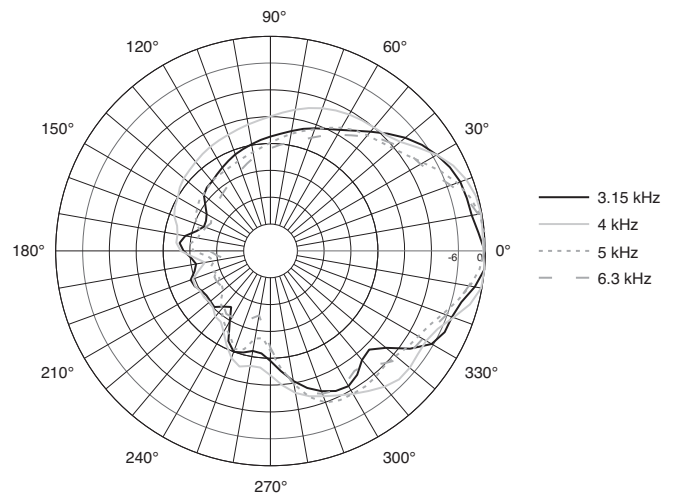
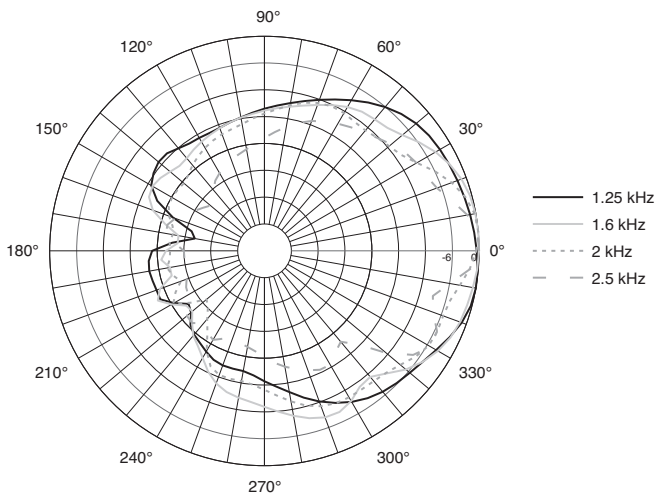
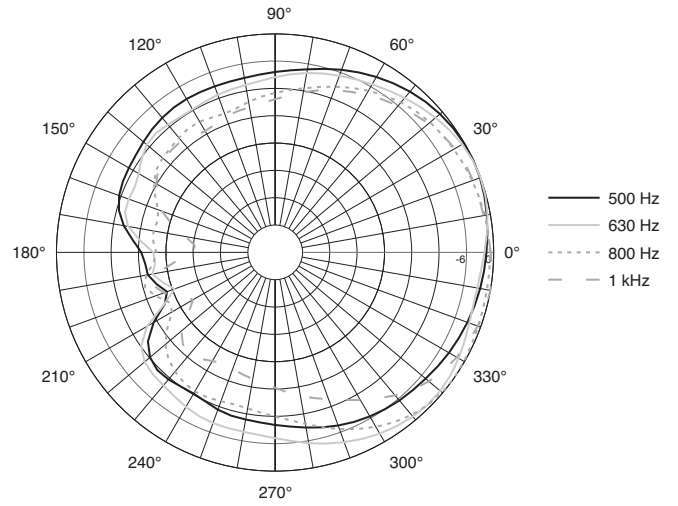
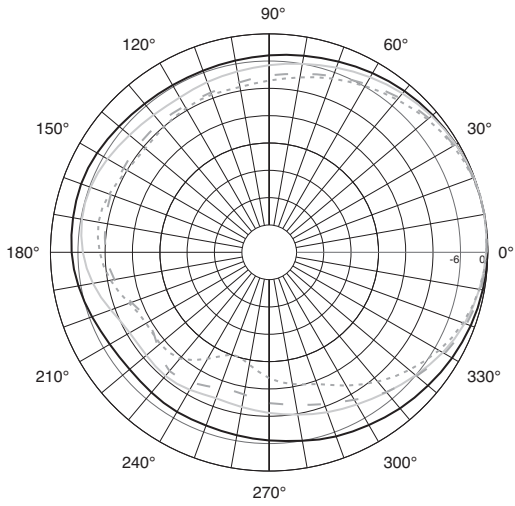
Back

Horizontal 1/3 Octave Polars



▶ AM7315/64 High Power 3-Way Loudspeaker with 1 x 15" LF Driver & Rotatable Horn

Vertical 1/3 Octave Polars



JBL Professional
8500 Balboa Boulevard, P.O. Box 2200
Northridge, California 91329 U.S.A.

© Copyright 2016 JBL Professional
www.jblpro.com

SS AM7315/64
CRP
8/16