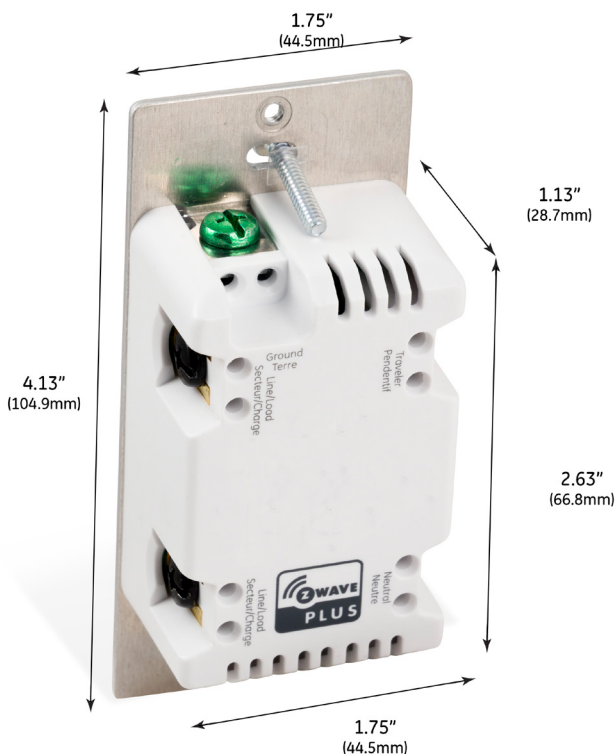


# Jasco Z-Wave In-wall Smart Switch

JASCO®



## Specifications

- Power:** 120VAC, 60Hz
- Signal Frequency:** 908.4/916MHz
- Maximum Load:** 960W Incandescent, 1/2 HP Motor 1800W (15A Resistive)
- Range:** Up to 150 feet from controller or closest Z-Wave device
- Operating Temperature:** 32-104° F (0-40° C)
- Warranty:** 2-year limited product warranty

**Requires neutral wire. Switch must be mounted indoors**

## Design Features

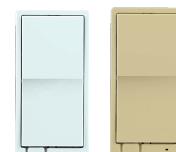
- QuickFit™ – Improved components reduce the housing depth by up to 20 percent compared to previous Z-Wave models and eliminated the need for heat tabs
- SimpleWire™ – Auto line-load sensing terminals support fast installation by detecting line and load wires and configuring the switch accordingly
- Dual ground ports, which are offset to avoid switch box mounting screws, support daisy-chaining in multi-switch setups
- Turn the connected device On/Off manually or via Z-Wave hub or controller
- Remotely monitor with any mobile device\*
- Works with Google and Alexa (requires compatible hub\*)
- May be used in single pole installation or with up to four Jasco model 45710 or 46560 Add-on switches in 3, 4, 5 or 6-way wiring configurations
- Works with all LED, CFL, halogen and incandescent bulbs
- Blue LED indicates switch location in a dark room (with 4 adjustable settings)
- Can be Included in multiple Groups and Scenes
- Utilizes the Z-Wave Firmware Update Meta Data command class for standardized firmware updates Over the Air
- Supports Advanced Configuration; LED status, Alternate exclusion
- Screw Terminal installation; requires wiring connections for Line (Hot), Load, Neutral, and Ground. Traveler wire required for multi pole installation

- Uses a standard decora wall plate (wall plate not included)
- Interchangeable Paddle switch: White & light almond paddle included in package
- LED status can be inverted manually changed to invert, always OFF and always ON
- Inline traveler circuit protection
- Z-Wave Plus Certified

## Z-Wave Plus with S2 Security and SmartStart Features

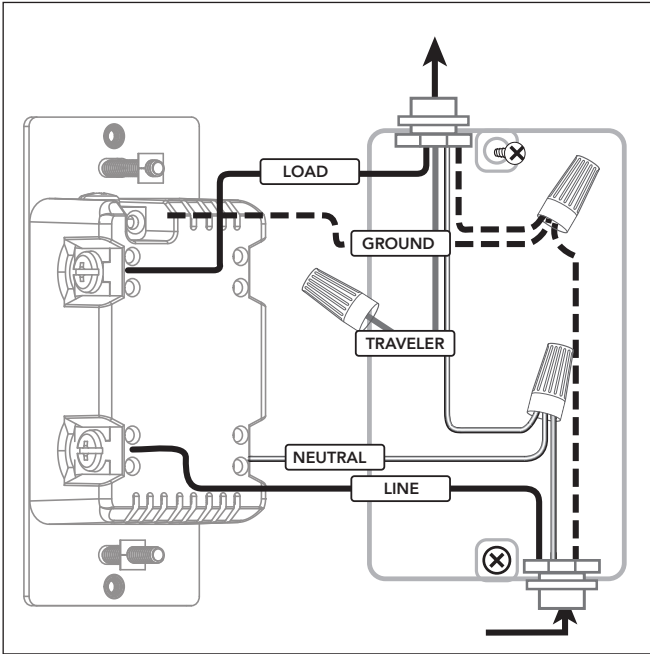
- Improved battery life and up to 50 percent greater wireless range
- QR codes with unique, industry-standard secure key exchange to add a layer of 128-bit encryption
- Effortless device pairing to Z-Wave S2 and SmartStart certified gateways
- Backward compatible with all generations of Z-Wave devices
- 250% faster processor
- 400% more memory
- 50% more energy efficient
- Supports wireless upgrades to future-proof your home

## White/light almond paddles included

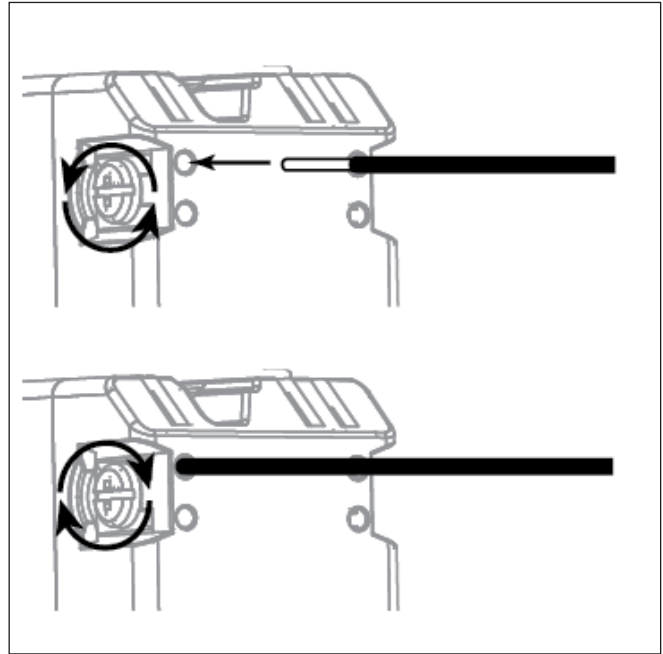


\* Requires Z-Wave hub or controller, functions may vary depending on brand.

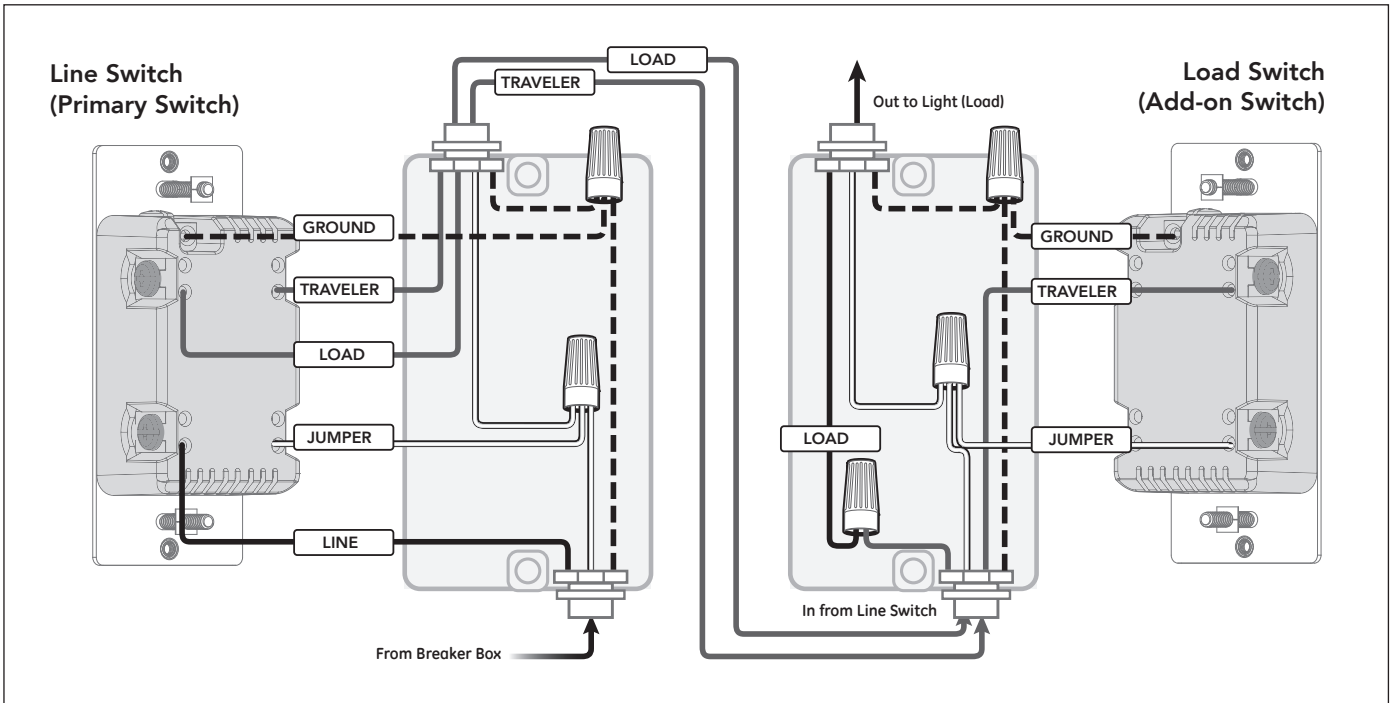
Single Location Wiring



Space-Saving Screw Terminals



Multi-Location Wiring



Installation Recommendations:

- Insert wire into port and tighten screw. Do not wrap wire around screw
- Indoor use only
- Visit <http://www.ezwave.com/hubs> for hub compatibility
- Wallplates sold separately
- Trilingual Instruction manual – (English, French, Spanish)

**Device Configuration**

**Adding your device to a Z-Wave network**

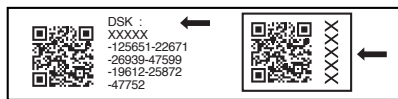
Once the hub is ready to add your smart switch, press and release the top or bottom button on the smart switch to add it in the network.

**To remove and reset the device**

Once the controller is ready to remove your device, press and release the top or bottom button on the smart switch to remove it from the network.

**S2 + SmartStart install**

The controller's app will indicate if it has discovered the device. If prompted by the controller to enter the S2 security code, refer to the QR code/security number on the side of the box, or the QR code label on the product. Enter the 5-digit code.



**To return to factory defaults**

Quickly press the ON button 3 times, then press the OFF button 3 times. The LED will flash ON/OFF 5 times when completed successfully.

**Certifications & Compliances**



Compliances, specifications and availability are subject to change without notice

Distributed by Jasco Products Company LLC  
10 E. Memorial Rd., Oklahoma City, OK

©Jasco 2019

**Related Products - Jasco Z-Wave In-Wall Smart Controls**



**46560**  
Add-On  
Switch



**46564**  
In-Wall  
Smart Dimmer



**24770**  
In-Wall Smart  
Motion Switch



**26932**  
In-Wall Smart  
Motion Dimmer



**14315**  
In-Wall  
Smart Outlet



**14314**  
In-Wall Smart  
Fan Control



**14326**  
In-Wall 1000W  
Smart Dimmer

**Additional Paddle Colors**



**13940**  
Black Paddle



**13943**  
Brown Paddle



**13945**  
Ivory Paddle