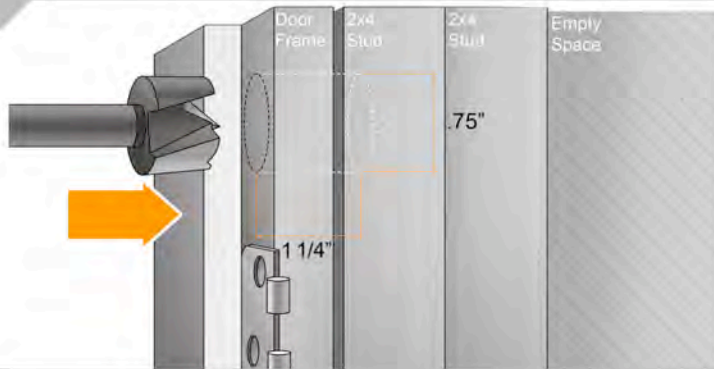


Step  
**1**

### Measure and Drill for Plunger

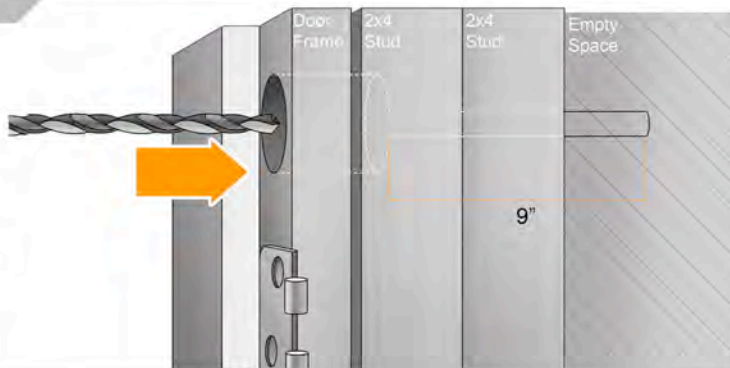
Use a 3/4" wood bit to drill into the door jamb to a 1 1/4" depth.



Step  
**2**

### Drill for Antenna

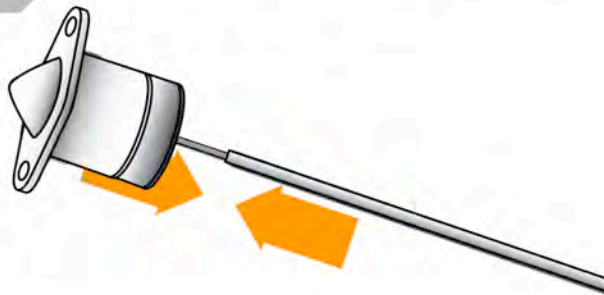
A 1/4" hole must now be drilled in the center of the cavity through the door jamb. This is so the antenna can be inserted through the door jamb frame and the supporting studs.



Step  
**3**

### Slide on Straw

Slide the Plunger antenna into supplied antenna guide (straw).

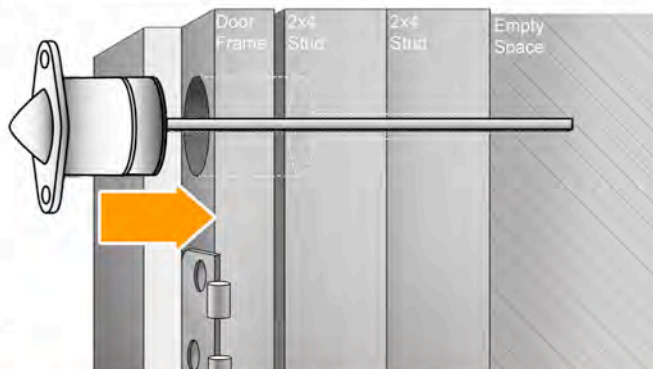


*\*It is important to always keep the antenna straight. Never cut or coil up antenna. You may fold the antenna in half if space is a concern. This may affect range.*

Step  
**4**

### Place and Set

Insert Plunger and Antenna into the door jamb.



# ION Security Products™

## PLUNGER™

Project Name

Spec. Type

Notes

Wireless Door Security Sensors

Fully Concealed

Residential & Commercial Applications

### Product Overview

Scan QR code for installation video!



**Long-life Battery** - 5+ years (average rating)

**Aesthetic** - Fully concealed wireless sensor for wood, vinyl, or aluminum clad windows

**Simple to Specify** - Compatible with current DSC, GE, HAI and 2GIG wireless receivers

**Easy to install** - Only a drill, a 3/4 inch wood bit and a 1/4 inch wood bit (for antenna insertion) are required

**Composition** - Micro-processor, Micro-transmitter, Lithium Battery, Optimized Antenna for superior zone signal

### Sensor Specifications

#### Dimensions

Dowel Package

1 inch deep by 3/4 inch wide (3/4 inch (0.750) diameter)

#### Power Source

3.0V Lithium Coin Cell Battery (CR1620)

#### Cavity Depth Fit

1 inch depth

#### Transmit Range

Typically >500 ft, open air

#### System Compatibilities

Sensors are compatible with current DSC, GE, HAI and 2GIG wireless receivers. Please be sure to specify which system you require.

#### Visual Characteristics

DSC - Black

7 inch x 1/8" Flexible Antenna extends from sensor

GE - Blue

7 inch x 1/8" Flexible Antenna extends from sensor

HAI - Green

7 inch x 1/8" Flexible Antenna extends from sensor

2GIG - Blue | White Antenna

7 inch x 1/8" Flexible Antenna extends from sensor

#### Environmental Conditions

Ambient temperature 10° - 120°F (-12 - 49°C).

#### Replacement

Sensor and/or Battery are field-replaceable.

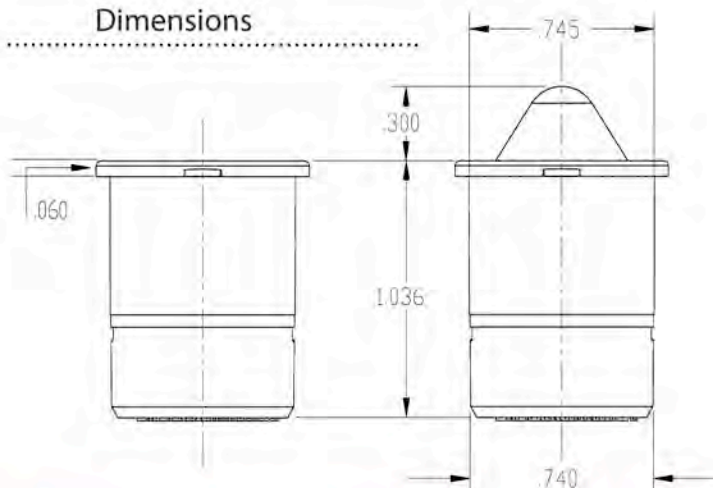
#### Patents

US Patents #6,737,969 and #7,081,816

Multiple Domestic and International Patents Pending.

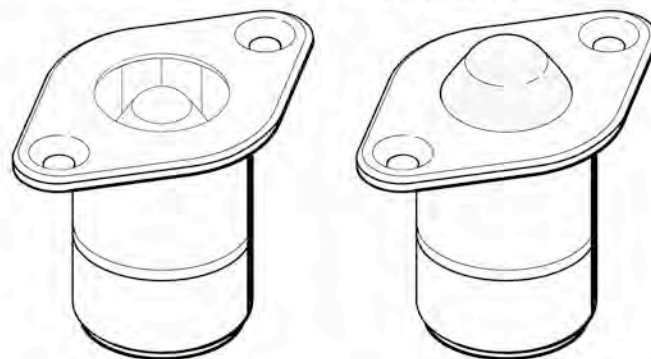
*Due to continuing product improvements, ION DIGITAL reserves the right to change specifications without notice.*

### Dimensions



### How it works

A captive magnet within the plunger activates a reed switch when the plunger is depressed.



*NOTE: The sensor typically protrudes .060" beyond the door jamb. Protrusion may vary slightly.*