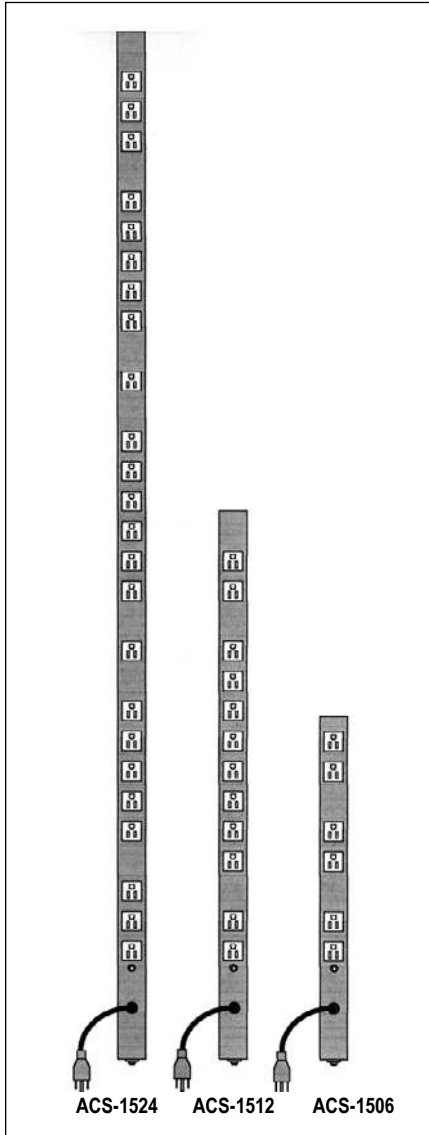




Installation Instructions

Models

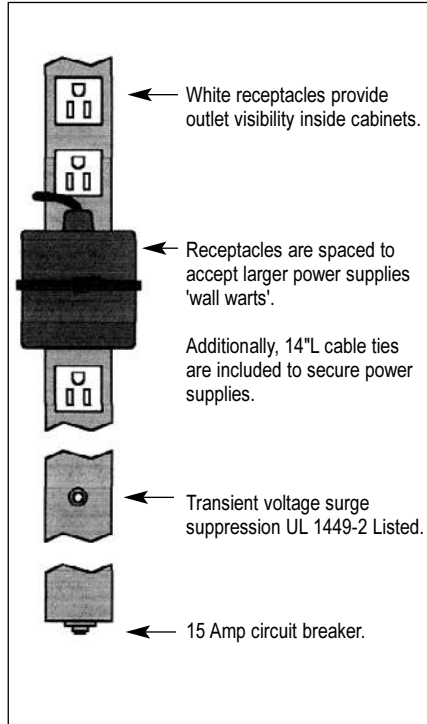


ACS-1524 ACS-1512 ACS-1506

Model Specifications

ACS-1524	ACS-1512	ACS-1506
15 Amp	15 Amp	15 Amp
24 outlets	12 outlets	6 outlets
125 VAC	125 VAC	125 VAC
60"L	32"L	20"L
1.5"W	1.5"W	1.5"W
1.625"D	1.625"D	1.625"D
12 ft. cord	12 ft. cord	6 ft. cord

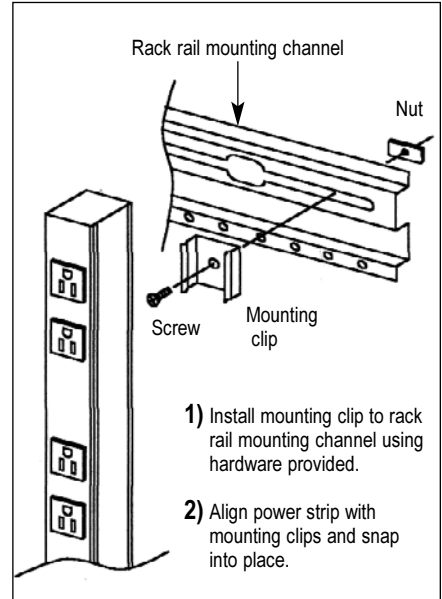
Features



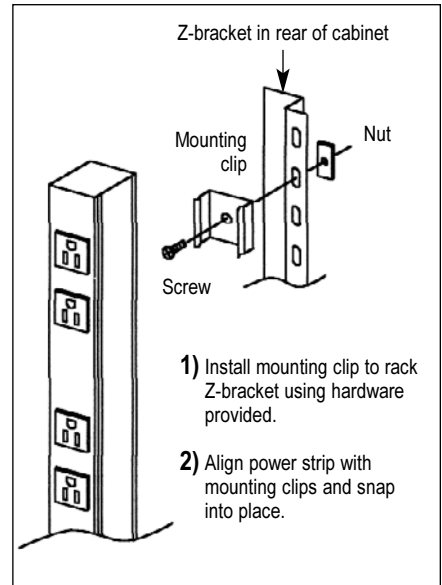
Surge Protection Specifications

Suppressed voltage rating	..330V
Energy dissipation450 Joules
(8 x 20us waveform)
Lines protectedL-N, L-G, N-G
Maximum surge6000V
Maximum peak current6500 Amperes
(H-N, H-G, N-G)
Response timeLess than one (1)
nanosecond
Noise filteringEMI / RFI
IndicatorLED is on when
protection is active

Installation



Easy installation into Lowell cabinets and racks with adjustable mounting rails.



Easy installation into Lowell cabinets with fixed mounting rails.

