



DESCRIPTION

The IXG-MK is an IP video guard station with a 7" LCD touchscreen for the IXG Series multi-tenant system. A guard unit can have up to 8 IXG-MK stations. The IXG-MK station can answer calls from an entrance station, tenant station, or individual door station. Once the call is answered, communication can be hands-free (VOX) or full duplex (handset). Touching the key button will activate the door release associated with the connected entrance station or door station. The IXG-MK can have up to 9,999 units in its address book and it will maintain a history of calls that it has received. A microSD card can be added to record calls that are placed to the IXG-MK IP video guard station.

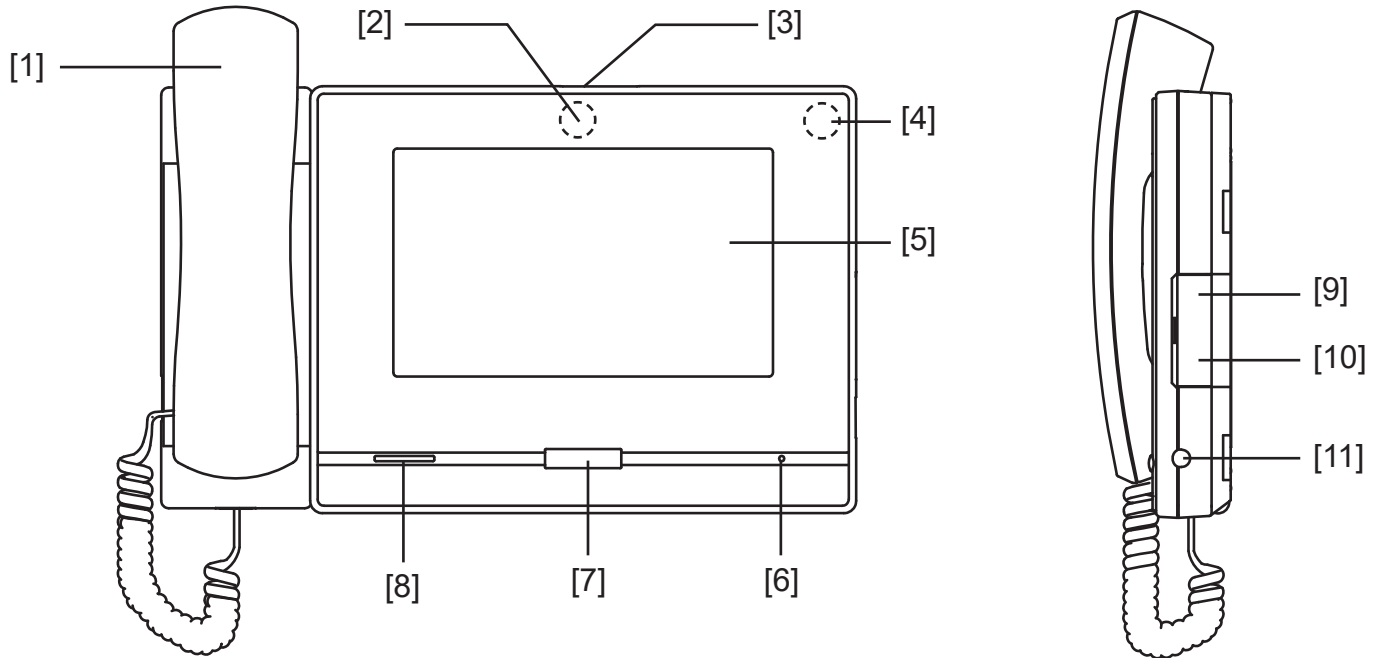
FEATURES

- 7" TFT color LCD touchscreen
- Color video camera with privacy shutter
- 9,999 unit address book
- View ONVIF Profile S cameras
- Multi-angled desk stand included (30°, 45°, 60°)
- Slot for microSD™ card (not provided by Aiphone)
- 802.3af PoE compliant
- 2 contact outputs, 4 trigger inputs
- 8Ω 0.5W speaker output
- 600Ω audio input

IXG-MK

IP Video Guard Station

FEATURE CALL-OUT



FEATURE CALL-OUT DEFINITIONS

- [1] Handset
- [2] Camera
- [3] Privacy mask cover (on top)
- [4] Status indicator light (orange/blue)
- [5] 7" touchscreen (LCD)
- [6] Microphone
- [7] Home button
- [8] Speaker
- [9] Reset button (under door)
- [10] Slot for microSD™ card (under door)
- [11] 3.5mm stereo mini jack

SPECIFICATIONS

- | | |
|---------------------|--|
| Power Source: | PoE |
| Consumption: | 3.2W standby, 7.4W max |
| Screen: | 7" LCD TFT touchscreen |
| Monitor resolution: | 800 x 400 |
| Communication: | Full-duplex |
| Audio Codec: | G.711(μ-law, A-law) |
| Video Codec: | H.264, MJPEG |
| Protocol: | IPv4/v6, TCP, UDP, SIP, HTTP, HTTPS, RTSP, RTP/RTCP, IGMP, MLD, SMTP, FTP, DHCP, NTP, DNS, TLS |
| Encryption: | TLS 1.0, 1.1, 1.2 |
| Operating Temp: | 32° ~ 104°F (0° ~ 40°C) |
| Dimensions: | 8-1/16" H x 11" W x 2-3/16" D |