



DESCRIPTION

The IX-NVP2 is a vandal and weather resistant dual button sub station designed for use with the IX Series system. It is SIP compliant and can be used with or without other IX Series stations. The station can be programmed to call up to 20 stations with the standard call button and up to 20 different stations with the red mushroom call button. Each call button can be assigned a different call priority level.

Sound files can be uploaded allowing for custom messages to be played during certain functions. (door release, when a call is placed, or when communication starts.)

The IX-NVP2 is constructed of 12 gauge carbon steel with a white powder-coated finish and will flush mount horizontally into a 3-gang masonry type box (Raco model 692 or equivalent) or surface mount using the SBX-NVP/A.

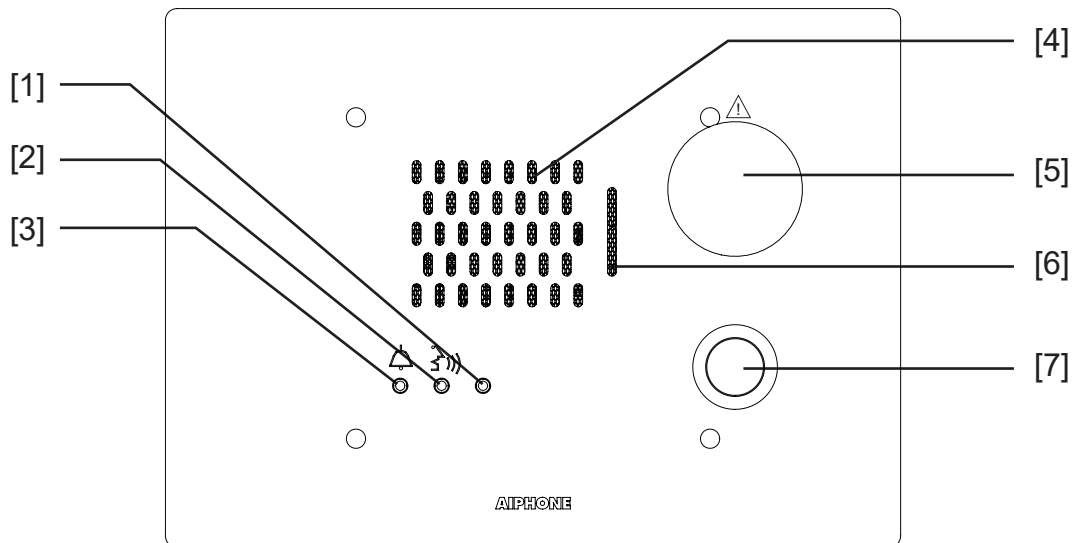
FEATURES

- SIP compliant
- Weather and vandal resistant
- For indoor or outdoor use
- One contact output
- Red mushroom button for secondary call
- 802.3af PoE

IX-NVP2

IP dual button 3-Gang Sub Station

FEATURE CALL-OUT



FEATURE CALL-OUT DEFINITIONS

- [1] Status Indicator (Orange/Blue)
- [2] Communication Indicator (Orange)
- [3] Call Indicator (Green)
- [4] Speaker
- [5] Mushroom Button
- [6] Microphone
- [7] Call Button

SPECIFICATIONS

- Power Source:** 802.3af PoE compliant
- Power Draw:** 3.36W
- Audio Codec:** G.711 (μ -law, A law), G.722
- Protocols:** IPv4, IPv6, TCP, UDP, SIP, HTTP, HTTPS, RTSP, RTP, RTCP, IGMP, MLD, SMTP, SFTP, DHCP, NTP, DNS
- Operating Temp:** -40° ~ 140°F (-40° ~ 60°C)
- Protection:** IP54
- Dimensions:** 5-1/2" H x 7-1/2" W x 2" D