

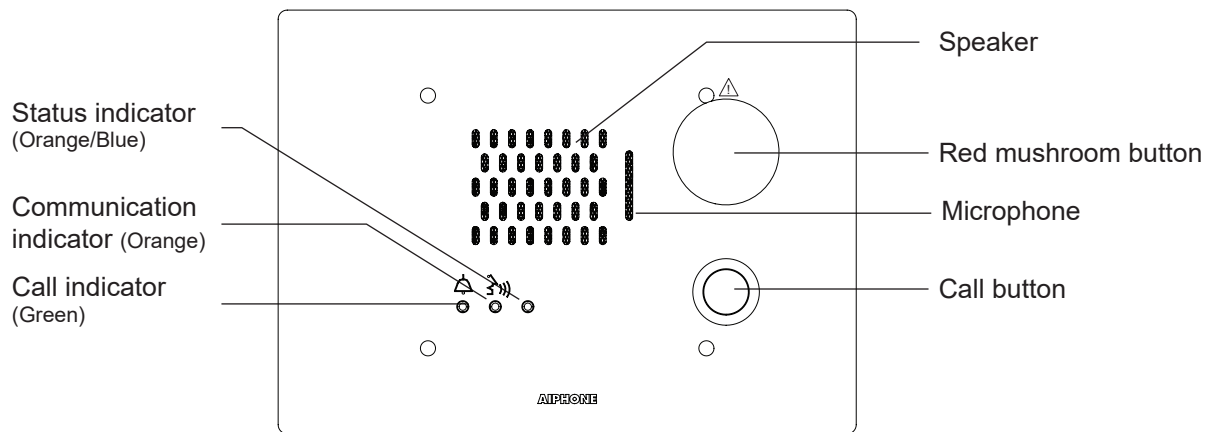
# IX-NVP2

## 3-Gang Sub Station

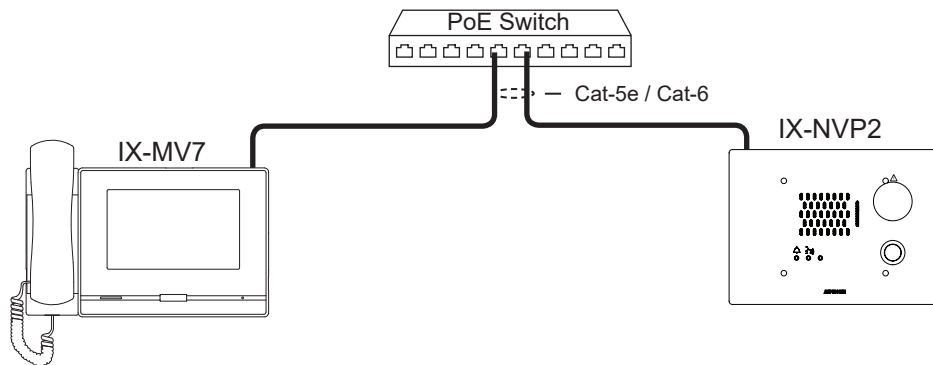
### -INSTRUCTIONS-

The IX-NVP2 is a vandal and weather resistant sub station designed for use with the IX Series IP intercom system. It is constructed of 12 gauge carbon steel with a white powder-coated finish. It has a standard call button and a red mushroom call button that wires to the option input. The mushroom call button is programmed independently of the standard call button. The IX-NVP2 will flush mount horizontally into a 3-gang masonry type box (Raco model 692 or equivalent) or surface mount using the SBX-NVP/A. Tamper proof screws and a tool for installation are included.

**Note: The IX-NVP2 will be treated as an IX-SS-2G when programming the station.**



### WIRING:



### SPECIFICATIONS:

- Power Source: 802.3af PoE compliant
- Power Draw: 3.36 Watts
- Audio Codec: G.711 ( $\mu$ -law, A law), G.722
- Protocols: IPv4, IPv6, TCP, UDP, SIP, HTTP, HTTPS, RTSP, RTP, RTCP, IGMP, MLD, SMTP, SFTP, DHCP, NTP, DNS
- Operating Temp:  $-40^{\circ} \sim 140^{\circ}\text{F}$  ( $-40^{\circ} \sim 60^{\circ}\text{C}$ )
- Dimensions:  $5\text{-}\frac{1}{2}\text{" H} \times 7\text{-}\frac{1}{2}\text{" W} \times 2\text{" D}$
- Mounting: Horizontal in a 3-gang masonry-type box. If mounted vertically, the unit will not be weather resistant. (Any damage caused due to vertical mounting will not be covered under warranty.)