

Quick Start Guide
(8200-2007-07_C0)

Illustra Pro Gen4, 2MP, 4MP & 8MP Indoor / Outdoor IR Dome cameras

Note: Please visit illustracameras.com for access to firmware updates that include new features, cyber-security enhancements and bug fixes.

In the box

- 1 x Camera
- 1 x T20 Security Key
- 4 x TP4 32mm screws & 4 x Plastic screw anchors
- 1 x Water proof rubber (1 hole)
- 1 x Water proof rubber (3 holes)
- 1 x Water proof rubber insert tool
- 1 x Printed Regulatory Document
- 1 x Printed QSG
- 1 x Camera bottom base (use in a wall mount installation)
- 1 x Camera bottom base cable hole cover
- 1 x Mounting template (use with the bottom case / wall mount installation)
- 1 x Mounting template (use in an in-ceiling mount installation)
- 1 x Metal cover

Installation tools

- 1 x Screw driver
- 1 x Drill
- 1 x Wire cutters



Figure 1: PG4 Indoor / Outdoor IR Dome camera parts

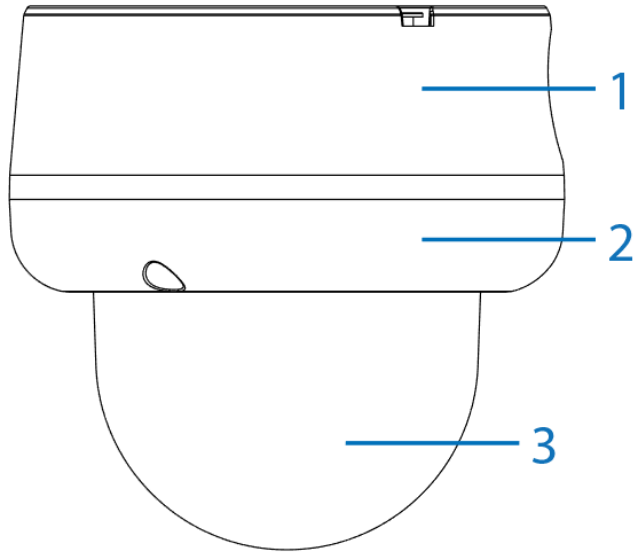


Figure 1

Table 1: Camera parts descriptions

Number	Description
1	Camera bottom base
2	Dome cover base
3	Dome

Quick reference

- Default IP: 192.168.1.168 (DHCP enabled)
- Default Username / Password: admin / admin
- Power: PoE Class 3 or 24V AC

Table 2: Camera interface (Bubble assembly side)

Number	Description
1	USB port connection
2	Reboot button
3	Auto focus (Set the camera focus during installation)
4	Reset to Factory default but preserve IP Address (Hold for 5 seconds) Reset to factory default (Hold for 20 seconds)

Figure 2: Camera interface (Bubble assembly side)

Note: Use the T20 security key to remove the three screws on the dome cover (2) (Figure 1) to access the interior buttons and USB connection.

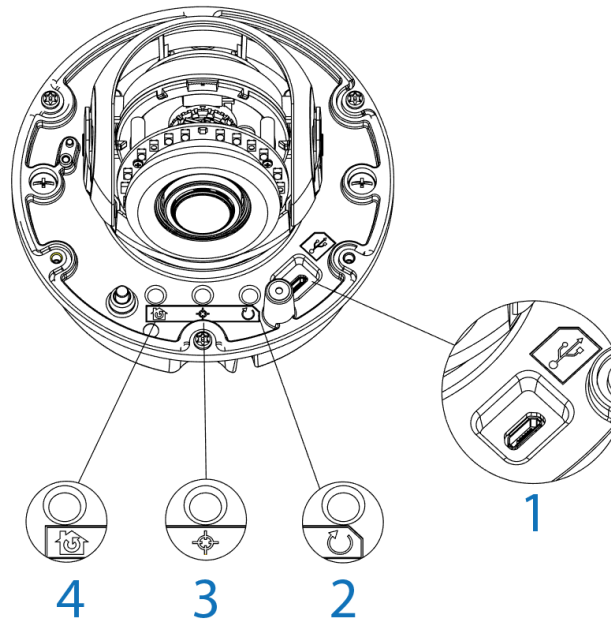


Figure 2

Figure 3: Camera interface (Base assembly side)

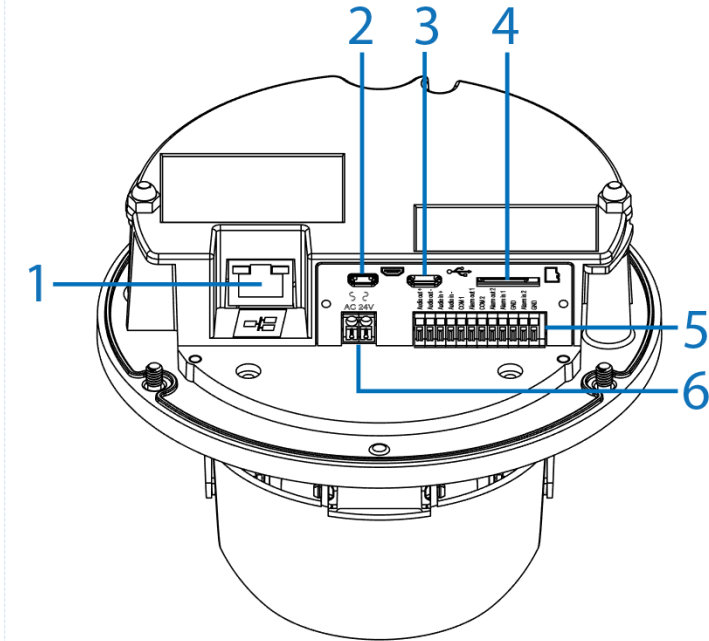


Figure 3

Table 3: Camera interface (Base assembly side)

Number	Description
1	Ethernet port
2	Micro HDMI cable port
3	Mini USB cable port
4	Micro SD card slot
5	Audio and alarm pins
6	Power connector

Mounting the camera

Refer to the Illustra mounting accessories webpage <https://www.illustracameras.com/products/accessories/mounts> for assistance. The following mount accessory part numbers are applicable with the Illustra Pro Gen4 2MP, 4MP and 8MP IR Indoor / Outdoor Dome cameras: ADCi6DPCAPOW, ADLOMARM, ADCDMCRNRO, ADCDMPOLE and IBJB-P-ISWB-0.

Installing the camera into a recess ceiling

1. Hold the guide pattern sticker up to the ceiling (1) (Figure 4) and cut out a 125mm hole.
2. Use the T20 security key to remove the three screws on the dome cover (2) (Figure 1).
3. Use a screw driver to remove the safety lanyard screw that is connecting the dome cover to the camera. **Note:** The dome cover is now completely disconnected from the camera.
4. Place the camera power cables through the hole in the ceiling and the metal cover (2) (Figure 4).

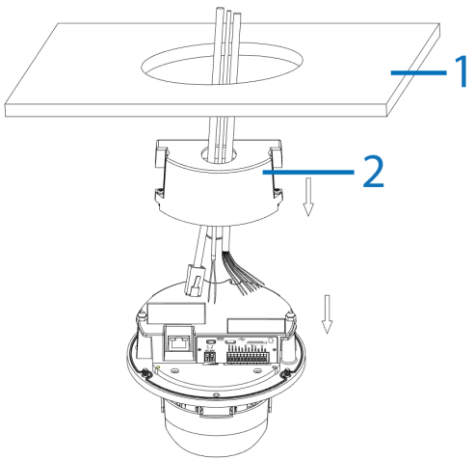


Figure 4

Installing the camera in to a recess ceiling (continued)

5. Connect the cables to their respective ports on the camera.
6. Align the two screws on the metal cover (1) (Figure 5) with the two holes on the camera and use a screw driver to securely attach the metal cover to the camera.

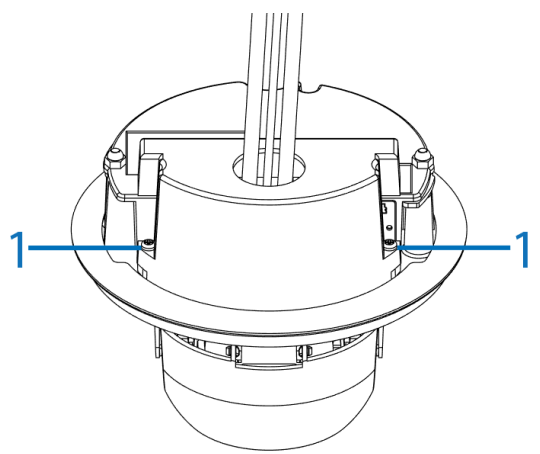


Figure 5

7. Push the camera cable back into the hole in the ceiling and hold the camera up to the hole in the ceiling.
8. Use a cross screw driver and turn both captive screws (1) (Figure 6) on the camera clockwise to extend out the locking arms (2) (Figure 6), then rotate the two captive screws anti-clockwise until the locking arms sit securely to the ceiling.

Installing the camera in to a recess ceiling (continued)

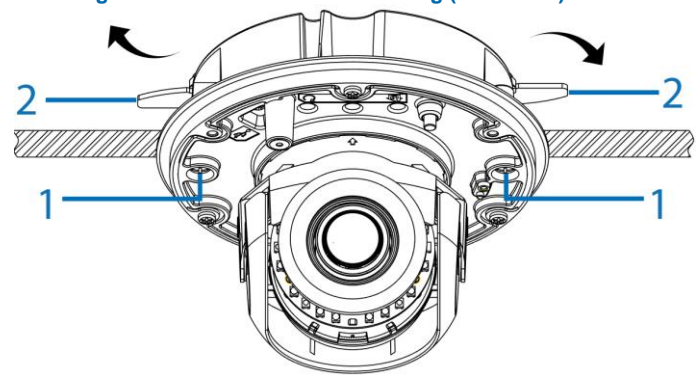


Figure 6

9. Adjust the camera lens position as follows. See Figure 7.
 - **Pan Adjustment (1):** Rotate the lens base until you are satisfied with the field of view.
 - **Tilt Adjustment (2):** Tilt the eye-ball assembly as needed.

Note: Limitation for the two axes position: Pan range = $\pm 380^\circ$ / Tilt range = $15^\circ \sim 90^\circ$.

Installing the camera in to a recess ceiling (continued)

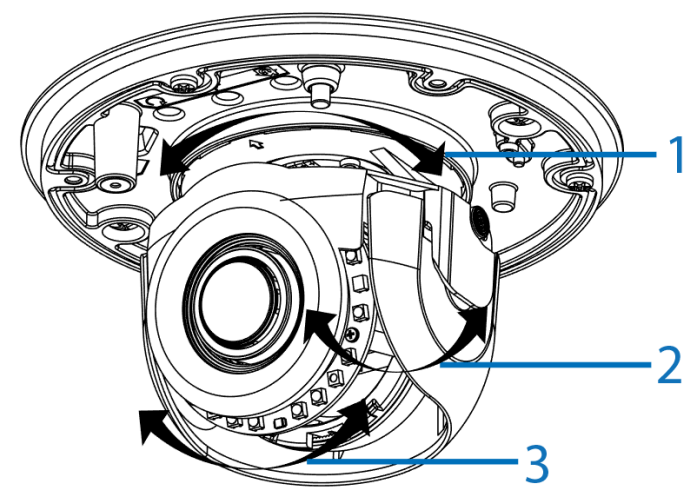


Figure 7

10. Insert the dome cover safety lanyard screw into the camera and securely attach the dome cover to the camera.
11. Hold the dome cover up to the camera and align the three screws in the dome cover up to the three holes on the camera.
12. Use the T20 security key to securely attach the three screws to the camera.

Installing the camera onto a wall or ceiling

1. Use the T20 security key to remove the three screws on the dome cover (2) (Figure 1).
2. Use a screw driver to remove the safety lanyard screw that is connecting the dome cover to the camera. **Note:** The dome cover is now completely disconnected from the camera.
3. Insert all cables through one of the waterproof rubbers:
 - a) if you are using the three hole waterproof rubber then pierce three holes as per the three circles on the rubber, insert the cable through the three rubber holes and then terminate the cable.
 - OR
 - a) if you are using the one hole waterproof rubber then pull the rubber pin to make the cable hole, insert the terminated cable into the insert tool and then pull the insert tool through the hole.
4. Hold the guide pattern sticker up to the surface and drill four 6mm holes and if you are **not** using the cable side entry hole on the bottom case then cut out a cable entry hole on the surface as per the guide pattern. **Note:** If you are not using the cable side entry hole then insert the cable cover.
5. Use a hammer to insert the four screw anchors (1) (Figure 8) into the holes
6. Hold the camera bottom case (2) (Figure 8) up to the surface and align the four 6mm holes on the surface with the four holes in the bottom case (remove the rubber inserts in the bottom case first).
7. Insert the four TP 32mm screws (3) (Figure 8) and securely attach the bottom case to the surface.
8. Pull the camera power cables through the cable hole on the surface or the side entry hole on the bottom case.
9. Hold the camera (4) (Figure 8) up to the bottom case and connect the cables to their respective ports on the camera.
10. Insert the camera into the bottom case and use a T20 security key to securely attach the camera to the bottom base with the three T10 screws.

Installing the camera onto a wall or ceiling (continued)

11. Adjust the camera lens position as per step 9 in the **Installing the camera in to a recess ceiling** procedure.
12. Screw the safety lanyard screw into the camera so that the dome cover is attached to the camera.
13. Hold the dome cover (5) (Figure 8) up to the camera and align the three screws in the dome cover with the three holes on the camera.
14. Use the T20 security key to securely attach the three screws to the camera.

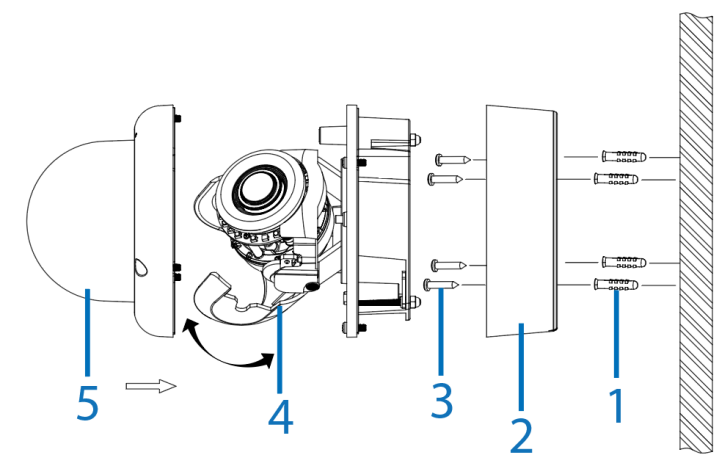


Figure 8

Installing the camera onto a surface with a recessed junction box

1. See steps 1, 2, and 3 in the *Installing the camera onto a wall or ceiling* procedure.
2. Insert the four screws anchors onto the four holes on the junction box (1) (Figure 8).
3. Hold the camera bottom case (2) (Figure 8) up to the junction box and align the four holes on the camera bottom case with the four holes on the junction box
4. Insert the four TP 32mm screws (3) (Figure 8) and securely attach the bottom case to the junction box.

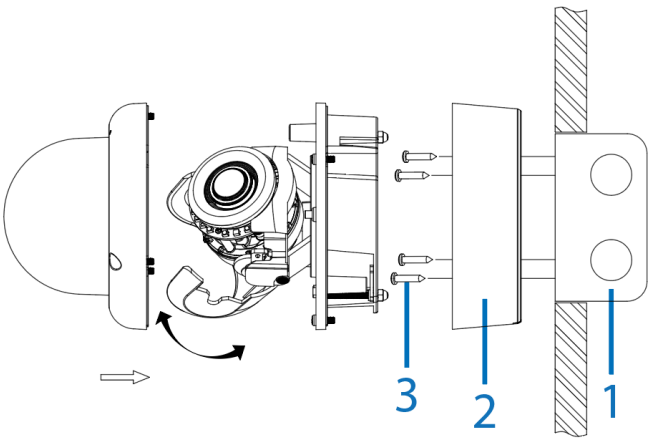


Figure 8

Installing the camera onto a surface with a junction box (continued)

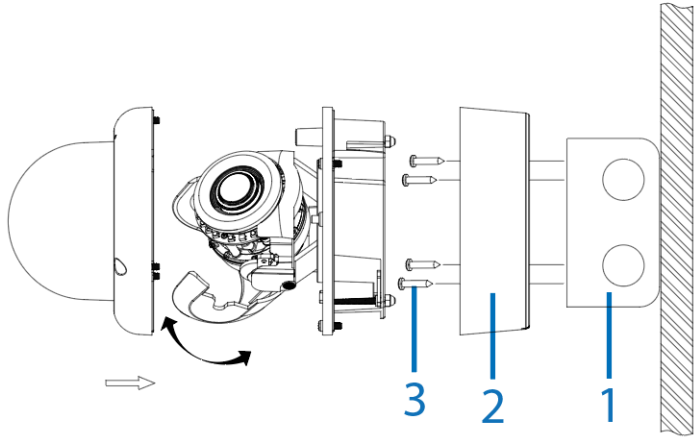


Figure 9

Table 4: Camera part numbers and descriptions

Part Number	Description
IPS02-D12-OI04	Illustra Pro Gen4 2MP MiniDome, 2.7-13.5mm, Indoor/Outdoor, IP67, IK10, TDN w/IR, TWDR
IPS02-D17-OI04	Illustra Pro Gen4 2MP MiniDome, 7-22mm, Indoor/Outdoor, IP67, IK10, TDN w/IR, TWDR
IPS04-D12-OI04	Illustra Pro Gen4 4MP MiniDome, 2.7-13.5mm, Indoor/Outdoor, IP67, IK10, TDN w/IR, TWDR
IPS04-D14-OI04	Illustra Pro Gen4 4MP MiniDome, 6-22mm, Indoor/Outdoor, IP67, IK10, TDN w/IR, TWDR
IPS08-D13-OI04	Illustra Pro Gen4 8MP MiniDome, 3.6-11mm, Indoor/Outdoor, IP67, IK10, TDN w/IR, TWDR
IPS08-D14-OI04	Illustra Pro Gen4 8MP MiniDome, 6-22mm, Indoor/Outdoor, IP67, IK10, TDN w/IR, TWDR

Installing the camera onto a surface with a recessed junction box (continued)

5. See steps 8 to 14 in the *Installing the camera onto a wall or ceiling* procedure to complete the installation.

Installing the camera onto a surface with a junction box

1. See steps 1, 2, and 3 in the *Installing the camera onto a wall or ceiling* procedure.
2. Insert the four screws anchors onto the four holes on the junction box (1) (Figure 9).
3. Hold the camera bottom case (2) (Figure 9) up to the junction box and align the four holes on the camera bottom case with the four holes on the junction box
4. Insert the four TP 32mm screws (3) (Figure 9) and securely attach the bottom case to the junction box.
5. See steps 8 to 14 in the *Installing the camera onto a wall or ceiling* procedure to complete the installation.

Warnings

1. Installation and service should be performed only by qualified and experienced technicians and comply with all local codes and rules to maintain your warranty.
2. Wipe the camera with a dry soft cloth. For tough stains, slightly apply with diluted neutral detergent and wipe with a dry soft cloth.
3. Do not apply benzene or thinner to the camera, which may cause the surface of the unit to be melted or lens to be fogged.
4. To Meet EU EMC immunity requirements for security equipment the mains power for equipment powering this unit should be backed up by an uninterruptible power supply.
5. Avoid operating or storing the unit in the following locations:
 - Near fluorescent lamps or objects with reflections.
 - Under unstable or flickering light sources.