

CR2025 - Lithium Batteries

3V (Li/MnO₂) Non-Rechargeable Batteries

The CR2025 lithium coin battery's high cell capacity allows for stable high voltage power use with a variety of devices. The battery's design provides long-lasting, reliable performance.

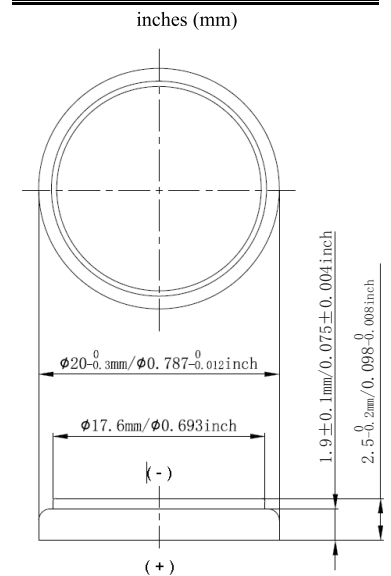


FEATURES

HIGH-CAPACITY DESIGN ASSURES EXTENDED PERFORMANCE IN DEMANDING APPLICATIONS
EXCELLENT DISCHARGE PERFORMANCE AT EXTREMELY LOW TEMPERATURES
WIDE OPERATING TEMPERATURE RANGE: 0°F – 122°F (-18°C – 50°C)
5 YEARS GUARANTEED POWER HOLDING IN STORAGE
FRIENDLY TO THE ENVIRONMENT (ZERO MERCURY, CADMIUM & LEAD)
100% SAFE OPERATION
COMPLIANT WITH ANSI 18.3 (part 1 & 2) & IEC 60086 (part 1, 2, 4)
COMPLIANT WITH UN MANUAL OF TESTS & CRITERIA 38.3 TEST REQUIREMENTS

SKU PART #	IM-CR2025
UPC	840049304666
Chemical Composition:	Lithium Manganese Dioxide Li Metal Content: 0.065 Grams
Nominal Voltage:	3.0VDC
Nominal Capacity:	160mAh Discharge @ 15ohm to 2.0VDC, 68°F/20°C)
Weight:	Approx. 0.08oz. (2.4g)

Industry Standard Dimensions



Dimensions shown are IEC/ANSI standards

IM-CR2025

CR2025 Lithium Batteries

3V Lithium Metal batteries

IM-CR2025

Shelf Life/ No Leak Guarantee:	5 years (68°F/20°C)
Standard / Max. Constant Current:	0.2mA/1.0mA (68°F/20°C)
Recommended Storage Temperature Range (storage area should be clean, cool, dry and ventilated):	41°F ~ 86°F (5°C ~ 30°C)
Operating Temperature Range:	-4°F ~ +140°F (-20°C ~ +60°C)
Quality, Safety and Environmental Standards:	IEC 60086-1-2-4, ANSI C18.3 Part 1 & 2, UN38.3 Recognized; RoHS and EU battery directive 2006/66/EC; ISO 9001, ISO 14001

Additional Information

- Warnings: Fire, explosion and burn hazard; Do not recharge, crush, disassemble, short circuit, mix batteries, heat above 212°F (100°C), incinerate, or expose contents to water.
- Keep away from small children
- If swallowed, seek IMMEDIATE medical care
- 24-Hour Emergency Response Service – call 571.766.3957 (US/CA)
- Do not mix with other battery types
- Keep batteries in original package until ready to use
- Replace all batteries at the same time
- Do not carry loose batteries in your pocket or bag
- Applications: wireless sensors, key fobs, thermometers, security devices, watches
- LITHIUM METAL BATTERIES - FORBIDDEN FOR TRANSPORT ABOARD PASSENGER AIRCRAFT

CR2025 Lithium Batteries

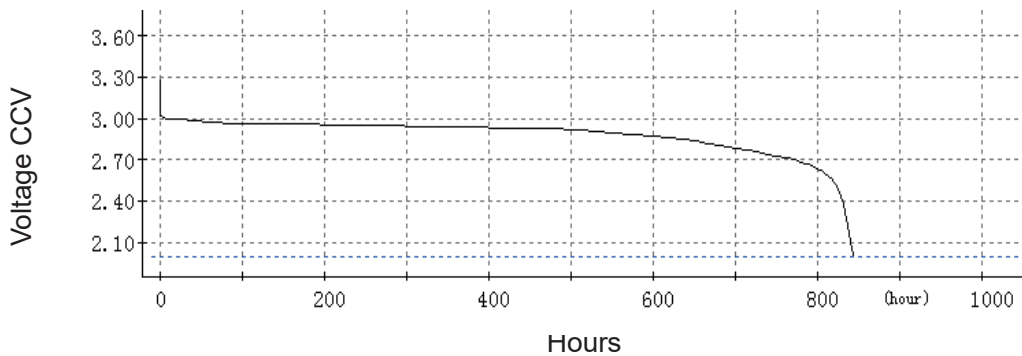
3V Lithium Metal batteries

IM-CR2025

Performance Characteristics

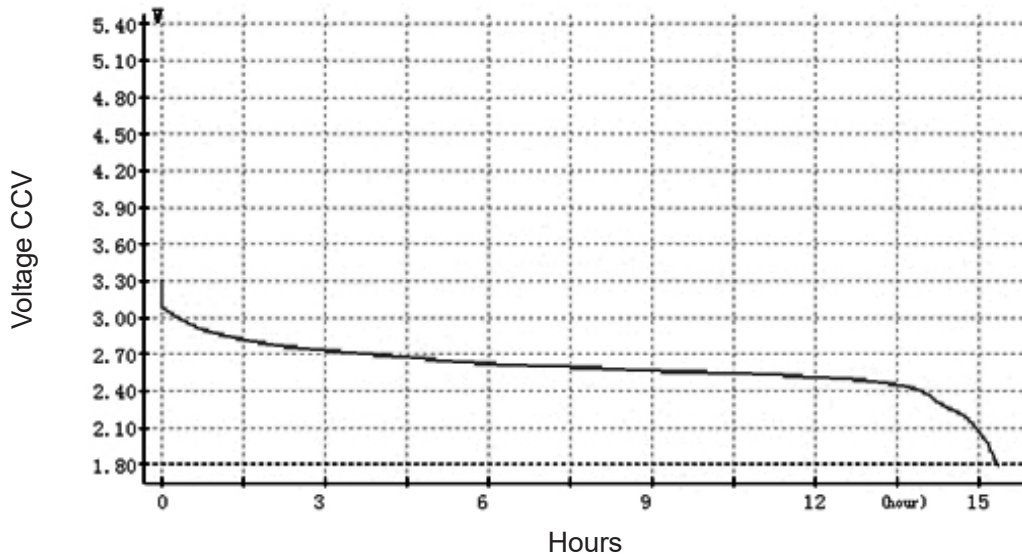
Continuous Discharge Characteristics

Load: 15k Ω 24h/d e.v.=2.0 V @21(70 °F)



Pulse Discharge Characteristics

Load: 10mA 5s/m,24h/d,1.8V, @21 (70 °F)



The data in this document is for descriptive purposes only and is not intended to make or imply any guarantee or warranty.