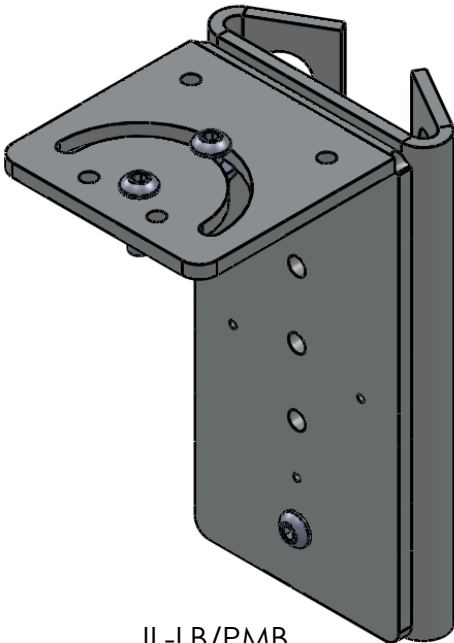


IL-LB/PMB POLE MOUNT BRACKET ASSEMBLY



IL-LB/PMB

IL-LB/PMB

- Pole mounted "L" bracket for single or multiple* illuminators
- Allows full adjustment and up to 180 degrees rotation
- Aluminum construction
- Black Anodize (Type II) finish
- Weight .95lbs (428.9g)
- Supplied with M6 mounting hardware for illuminator
- Supplied with two 316 stainless straps
- Supplied with IP67 rated junction box

* OPTIONAL BRACKETS IL-DMB (DUAL ILLUMINATOR) & IL-TMB (TRIPLE ILLUMINATOR) ARE REQUIRED FOR MULTIPLE ILLUMINATORS.

