



Raceway System

INSTALLATION INSTRUCTIONS

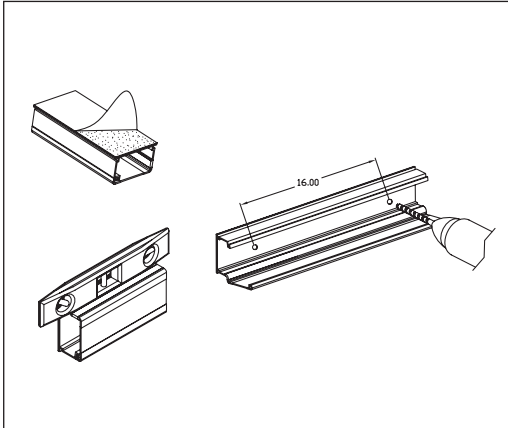


Figure 1: Secure raceway with included adhesive backing or drill holes for screw mounting. Use a level to align raceway.

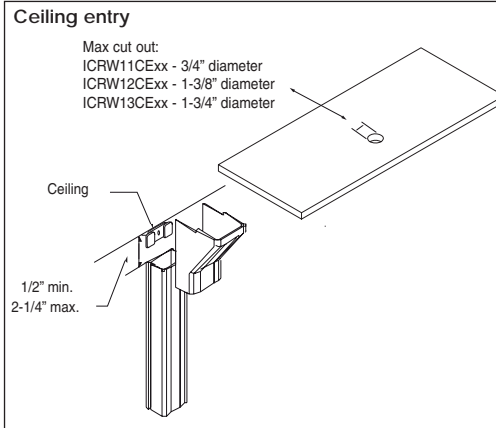


Figure 2: Routes cable from ceiling into the raceway

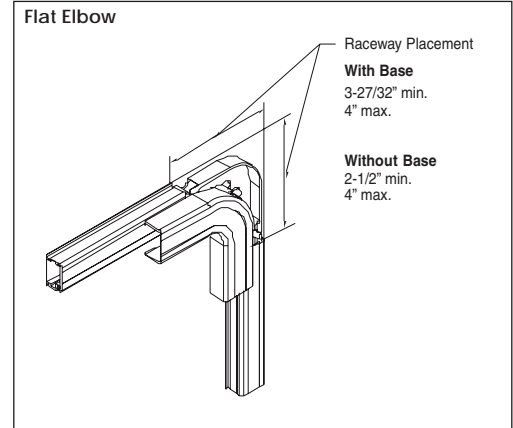


Figure 3: 90° is used for right angle turns on the same surface. Base is slotted for screw down mounting, if necessary.

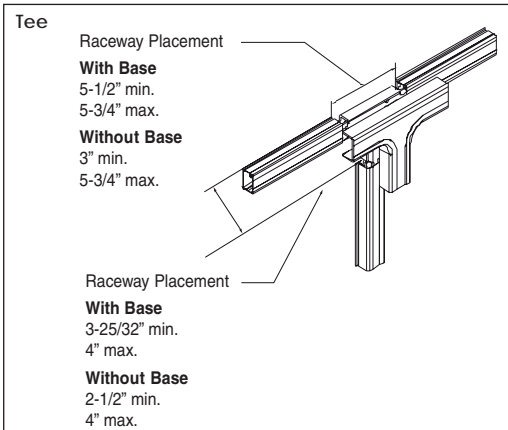


Figure 4: Used to branch raceway runs. Base is slotted for screw down mounting, if necessary.

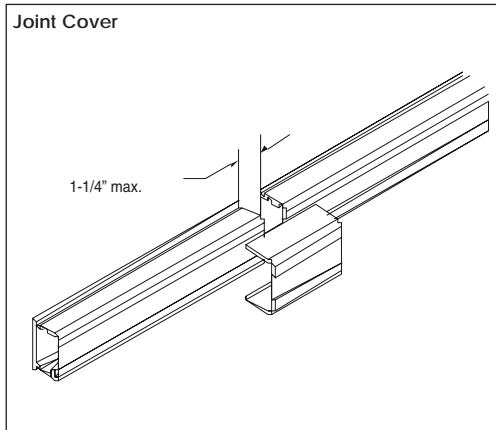


Figure 5: Used to cover joint where two sections of raceway come together

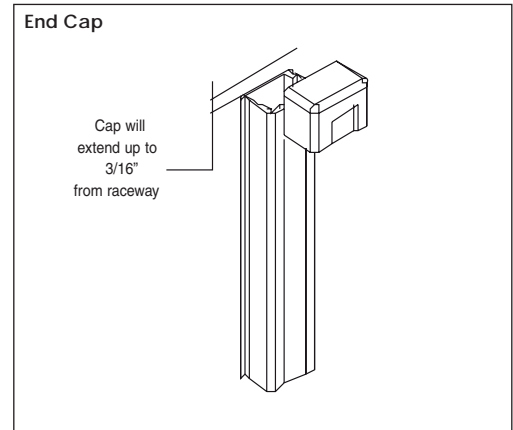


Figure 6: Used for closing the open end of raceway

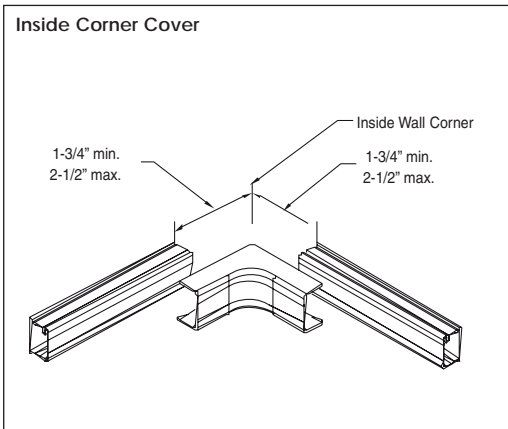


Figure 7: Used for right angle turns around internal corners

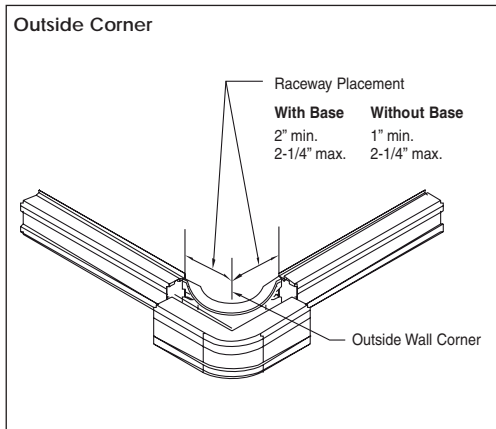


Figure 8: Used for right angle turns around external corners. Base is slotted for screw down mounting

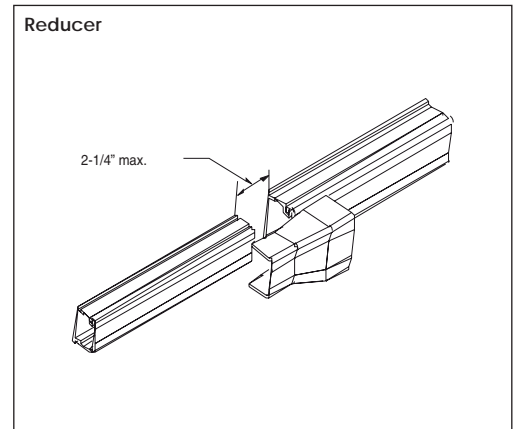
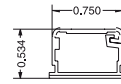


Figure 9: Used to transition from one size of raceway to another

Raceway System



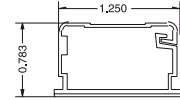
Item #	Length	Description	Qty.
ICRWR11Sxx*	1 Ft.	3/4" W x 1/2" H	Min. Order 6Ft.
ICRWR118xx*	1 Ft.	3/4" W x 1/2" H	Min. Order 8Ft.
ICRW22R6xx*	6 Ft.	3/4" W x 1/2" H	Single Pack
ICRW22R8xx*	8 Ft.	3/4" W x 1/2" H	Single Pack



Types of Cables	CAT 5e	CAT 6	CAT 6A FTP	25-Pair	6 Fiber	1 Fiber	Coax
# of Cables	6	4	2	1	4	16	3



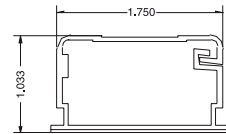
Item #	Length	Description	Qty.
ICRWR12Sxx*	1 Ft.	1 1/4" W x 3/4" H	Min. Order 6Ft.
ICRWR128xx*	1 Ft.	1 1/4" W x 3/4" H	Min. Order 8Ft.
ICRW33R6xx*	6 Ft.	1 1/4" W x 3/4" H	Single Pack
ICRW33R8xx*	8 Ft.	1 1/4" W x 3/4" H	Single Pack



Types of Cables	CAT 5e	CAT 6	CAT 6A FTP	25-Pair	6 Fiber	1 Fiber	Coax
# of Cables	15	10	6	4	9	39	7



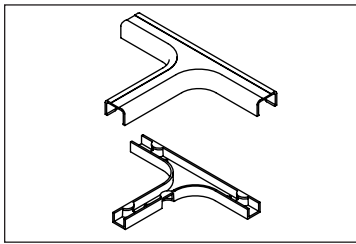
Item #	Length	Description	Qty.
ICRWR13Sxx*	1 Ft.	1 3/4" W x 1" H	Min. Order 6Ft.
ICRWR138xx*	1 Ft.	1 3/4" W x 1" H	Min. Order 8Ft.
ICRW44R6xx*	6 Ft.	1 3/4" W x 1" H	Single Pack
ICRW44R8xx*	8 Ft.	1 3/4" W x 1" H	Single Pack



Types of Cables	CAT 5e	CAT 6	CAT 6A FTP	25-Pair	6 Fiber	1 Fiber	Coax
# of Cables	29	19	11	7	17	72	14

*Color (xx) = IV-Ivory, WH-White

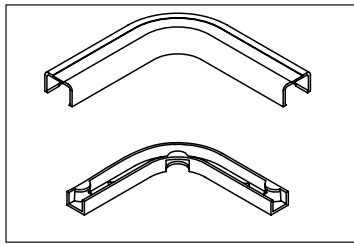
Based on 50% fill capacity and ICC cabling O.D.



Tees and Bases

ICRW22TBxx ¹	3/4"	1 set
ICRW33TBxx ¹	1 1/4"	1 set
ICRW44TBxx ¹	1 3/4"	1 set
ICRW11TBxx ¹	3/4"	10 sets
ICRW12TBxx ¹	1 1/4"	10 sets
ICRW13TBxx ¹	1 3/4"	10 sets

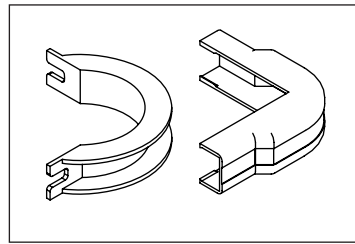
¹xx = IV-Ivory, WH-White



90° Flat Elbows and Bases

ICRW22EBxx ¹	3/4"	1 set
ICRW33EBxx ¹	1 1/4"	1 set
ICRW44EBxx ¹	1 3/4"	1 set
ICRW11EBxx ¹	3/4"	10 sets
ICRW12EBxx ¹	1 1/4"	10 sets
ICRW13EBxx ¹	1 3/4"	10 sets

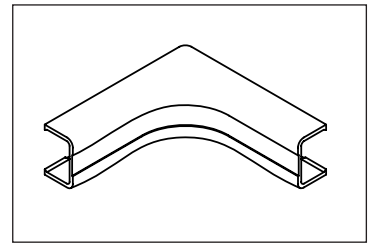
¹xx = IV-Ivory, WH-White



Outside Corner Covers and Bases

ICRW22UCxx ¹	3/4"	1 set
ICRW33UCxx ¹	1 1/4"	1 set
ICRW44UCxx ¹	1 3/4"	1 set
ICRW11OBxx ¹	3/4"	10 sets
ICRW12OBxx ¹	1 1/4"	10 sets
ICRW13OBxx ¹	1 3/4"	10 sets

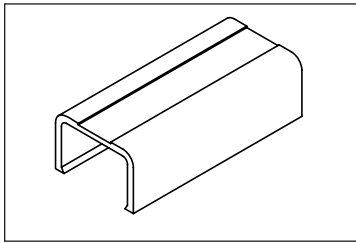
¹xx = IV-Ivory, WH-White



Inside Corner Covers

ICRW22NCxx ¹	3/4"	1 pc
ICRW33NCxx ¹	1 1/4"	1 pc
ICRW44NCxx ¹	1 3/4"	1 pc
ICRW11ICxx ¹	3/4"	10 pcs
ICRW12ICxx ¹	1 1/4"	10 pcs
ICRW13ICxx ¹	1 3/4"	10 pcs

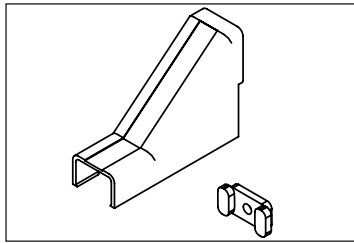
¹xx = IV-Ivory, WH-White



Joint Covers

ICRW22JCxx ¹	3/4"	1 pc
ICRW33JCxx ¹	1 1/4"	1 pc
ICRW44JCxx ¹	1 3/4"	1 pc
ICRW11JCxx ¹	3/4"	10 pcs
ICRW12JCxx ¹	1 1/4"	10 pcs
ICRW13JCxx ¹	1 3/4"	10 pcs

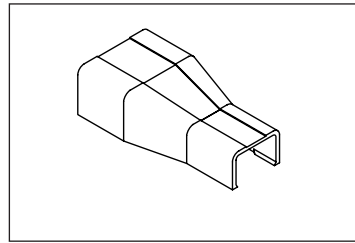
¹xx = IV-Ivory, WH-White



Ceiling Entries and Mounting Clips

ICRW22CMxx ¹	3/4"	1 set
ICRW33CMxx ¹	1 1/4"	1 set
ICRW44CMxx ¹	1 3/4"	1 set
ICRW11CExx ¹	3/4"	10 sets
ICRW12CExx ¹	1 1/4"	10 sets
ICRW13CExx ¹	1 3/4"	10 sets

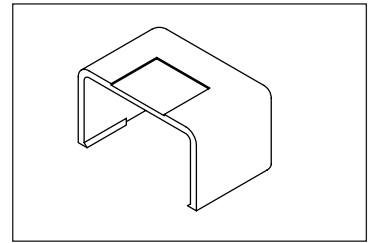
¹xx = IV-Ivory, WH-White



Reducers

ICRW22RExx ¹	1 1/4" to 3/4"	1 pc
ICRW33RExx ¹	1 3/4" to 3/4"	1 pc
ICRW44RExx ¹	1 3/4" to 1 1/4"	1 pc
ICRW11ROxx ¹	1 1/4" to 3/4"	10 pcs
ICRW12ROxx ¹	1 3/4" to 3/4"	10 pcs
ICRW13ROxx ¹	1 3/4" to 1 1/4"	10 pcs

¹xx = IV-Ivory, WH-White



End Caps

ICRW22ECxx ¹	3/4"	1 pc
ICRW33ECxx ¹	1 1/4"	1 pc
ICRW44ECxx ¹	1 3/4"	1 pc
ICRW11ECxx ¹	3/4"	10 pcs
ICRW12ECxx ¹	1 1/4"	10 pcs
ICRW13ECxx ¹	1 3/4"	10 pcs

¹xx = IV-Ivory, WH-White

FEATURES & BENEFITS

1. Raceway sections have a one piece design and are easy to install.
2. Latching system: Installations and changes are quick and easy with simple self locking latch.
3. Mounting: Adhesive backing makes installation quick and easy
4. Raceways are easy to cut, trim and paint to ensure a custom look to match the surroundings
5. Raceway can incorporate a wide variety of cable types (UTP, STP, ScTP, coaxial, audio, video, and fiber optic cables)
6. Raceways are made of 94V-0 for low-power low voltage (under 50V indoor application use only)

888-ASK-4ICC

csr@icc.com

icc.com