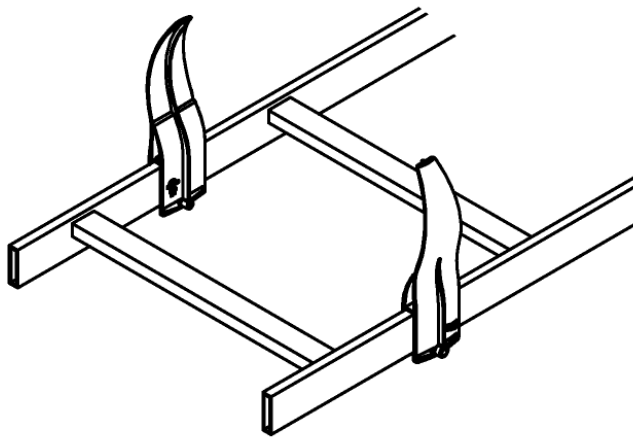


# Runway Kit, Cable Retainer, 10 PK

## Package Include:

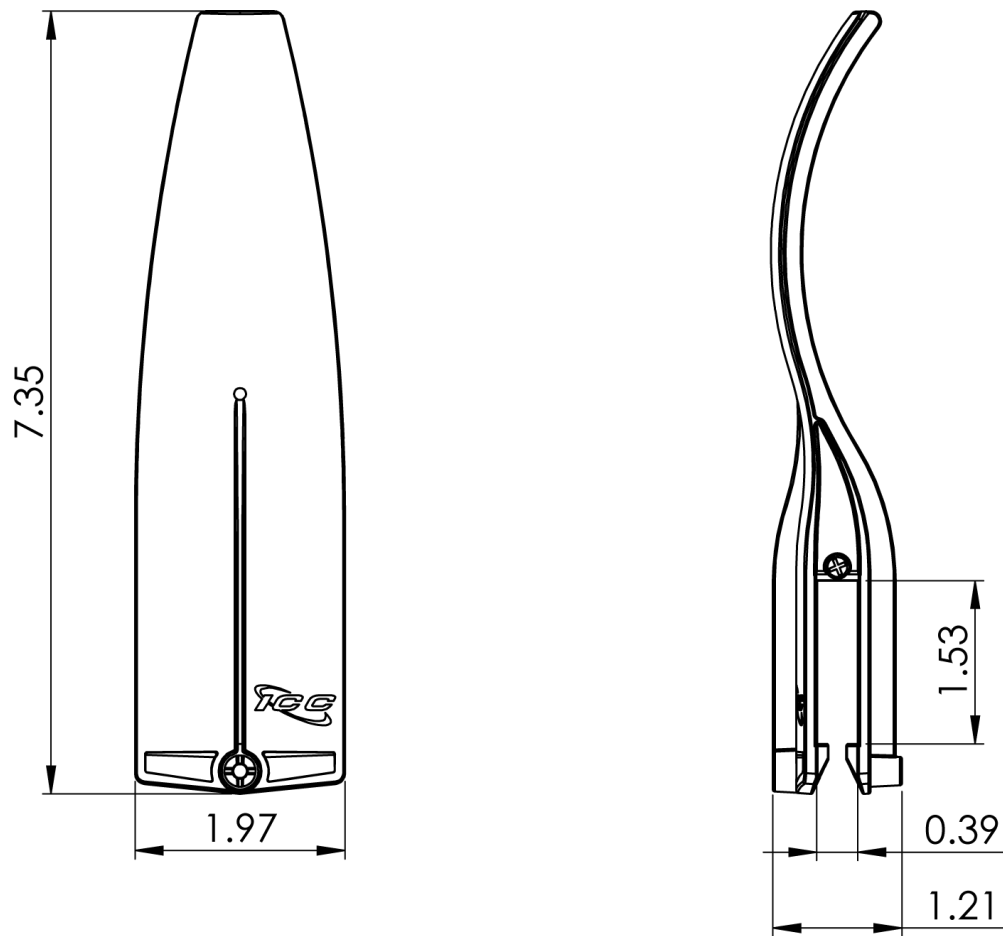
A. Cable Retainer, 10 Piece

B. Screw, 10 Piece



## Features and Benefits

- Designed with durable polycarbonate plastic, providing strength and stability for long lasting use
- Designed to prevent cables from falling off the runway by creating a channel
- Increase depth above Ladder Rack
- Ergonomic 1 piece design
- Easily snap onto Ladder Rack
- Optional mounting screw to secure Cable Retainer onto Ladder Rack
- Used with ICCMSLST Ladder Rack Runways
- UL Listed



**NOTE: UNLESS OTHERWISE SPECIFIED**

1. Material: PC + GF 94V-0
2. Color: Black
3. Packaging: 10 Pack