



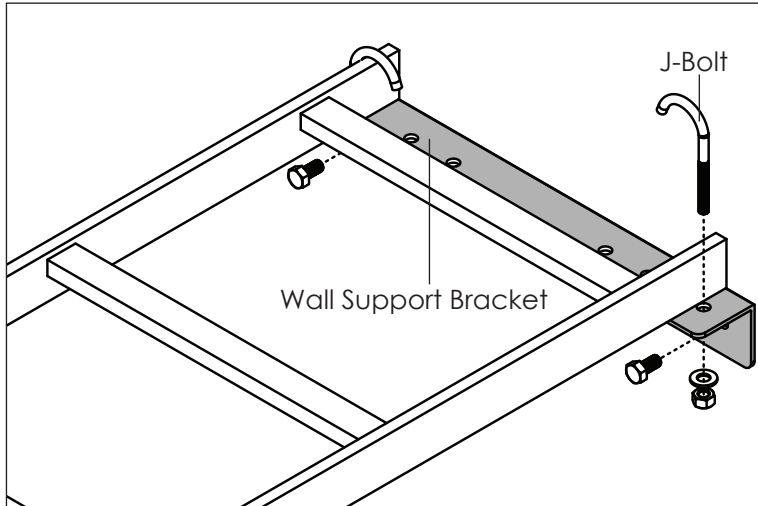
# Ladder Rack System

## INSTALLATION INSTRUCTIONS

**IMPORTANT:** Before you start, please plan on how the ladder rack system is to be configured.

### How to Mount Ladder

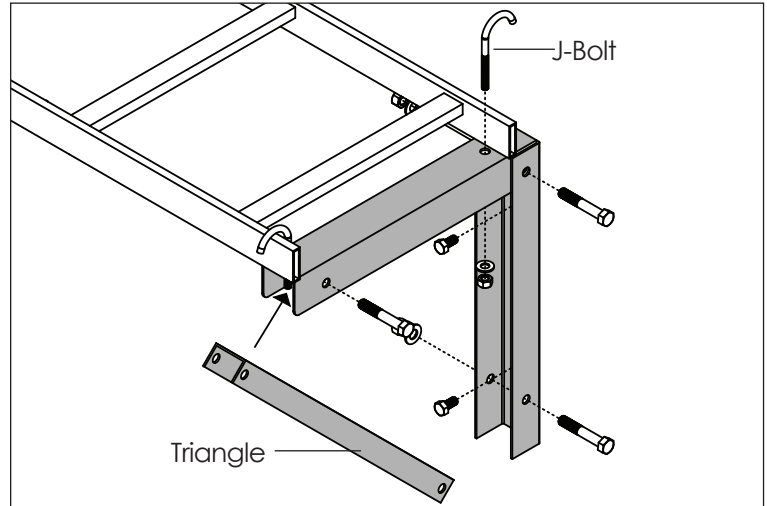
#### Wall Support Bracket, Perpendicular



**Part No.: ICCMSLAWSK**

- To mount ladder rack runway to the wall
  - Includes 1 bracket and 2 J-Bolts
  - Wall fasteners are not included
  - Hole size for mounting to the wall is 0.35"
- Note: Drywall can not support the weight of ladder rack

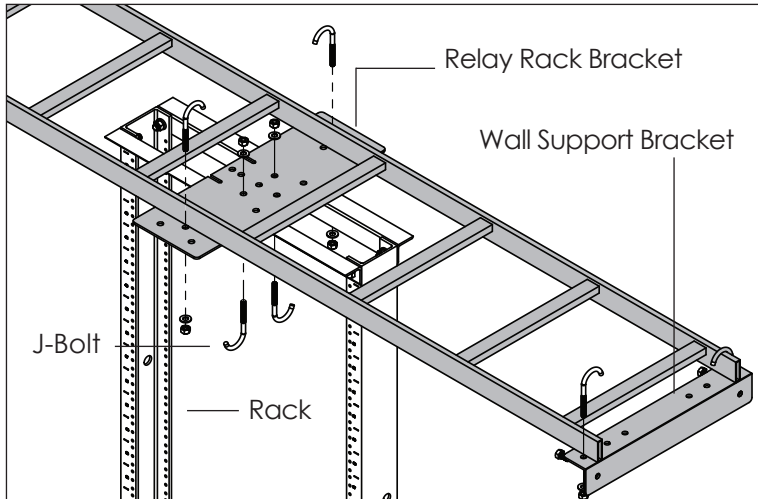
#### Wall Support Triangle, Parallel



**Part No.: ICCMSLTWSK**

- Includes 1 triangle and 2 J-Bolts
  - Wall fasteners are not included
  - Hole size for mounting to the wall is 0.35"
- Note: It is recommended to install a triangle every 5'

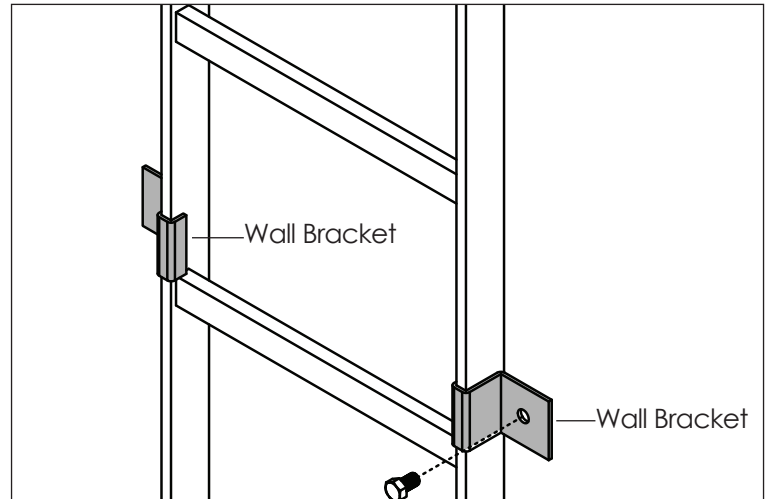
#### 5' Ladder Rack Kit, Perpendicular



**Part No.: ICCMSLRW05**

- To route cable from rack to wall
- Includes a 5' ladder rack, a relay bracket, a wall bracket, 2 J-bolts and 2 end caps
- Hole size for mounting to the wall is 0.35"

#### Wall Support Bracket, Vertical



**Part No.: ICCMSLVWBK**

- To secure ladder rack runway flat against the wall
- Includes 2 brackets
- Wall fasteners not included
- Hole size for mounting to the wall is 0.43"



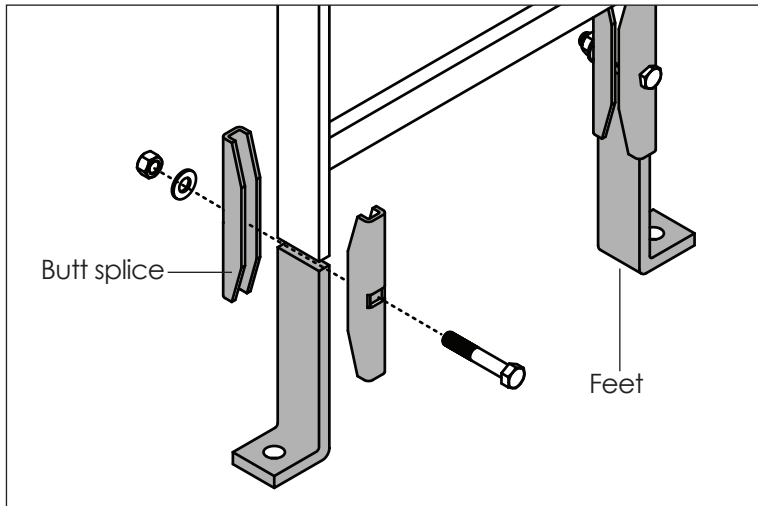
# Ladder Rack System

## INSTALLATION INSTRUCTIONS

**IMPORTANT:** Before you start, please plan on how the ladder rack system is to be configured.

### How to Mount Ladder

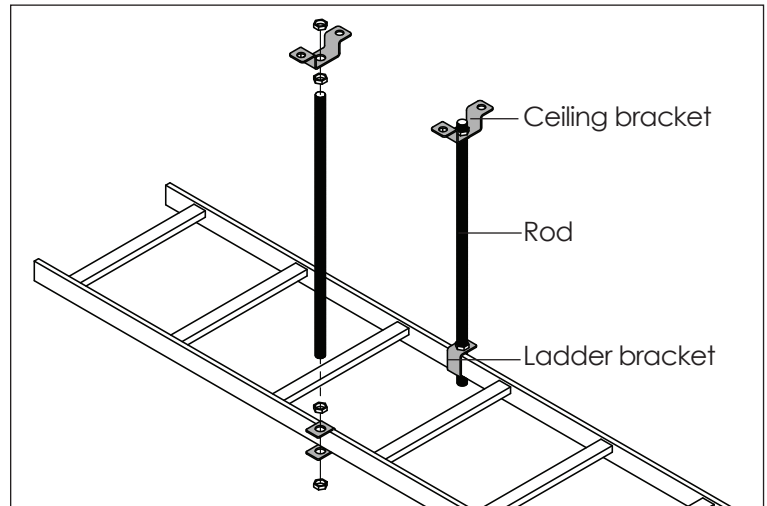
#### Floor Mount Kit



**Part No.: ICCMSLMFFK**

- To join ladder rack runway at ends
- Includes 2 feet and 2 Butt splice kits
- Floor fasteners not included
- Hole size for mounting to the floor is 0.55"

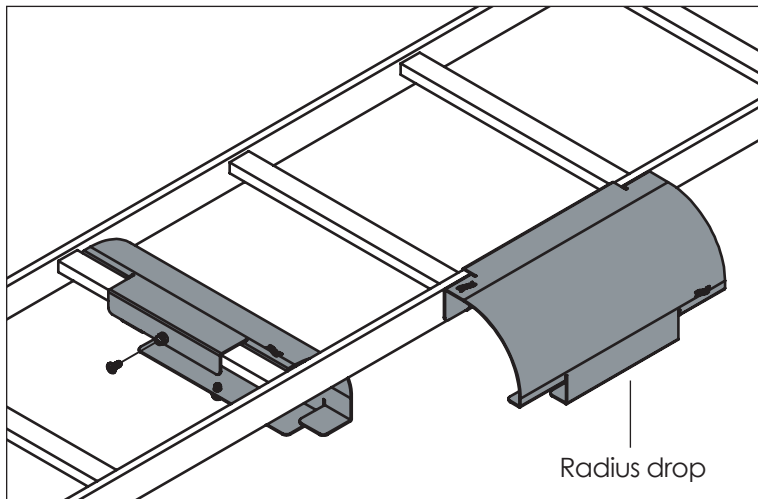
#### Ceiling Mount Kit with 6' Rods



**Part No.: ICCMSLCMRK**

- To sustain over-hanging ladder rack runway to the ceiling
- Includes 2 threaded rods (6'), 2 ladder brackets, 2 ceiling brackets, and 8 nuts
- Ceiling fasteners not included
- Hole size for mounting to the ceiling is 0.53"
- Max load: 132lbs/ft when supported every 5'

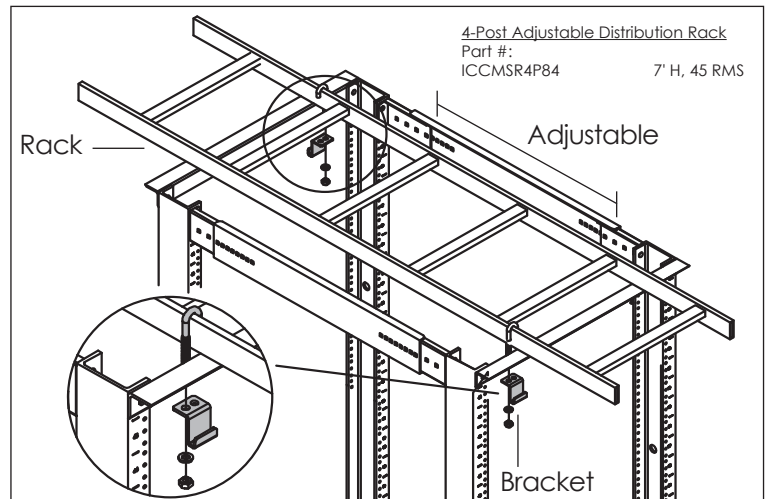
#### Cable Radius Drop



**Part No.: ICCMSLRRDB**

- To maintain proper cable bend radius at drop points
- Includes 2 radius controlled drops and 4 screws

#### 4 Post Relay Rack Brackets



**Part No.: ICCMSL4PBK**

- To secure ladder rack runway over 4 post racks
- Includes 2 parallel mounting brackets, 2 perpendicular mounting brackets and 2 J-Bolts



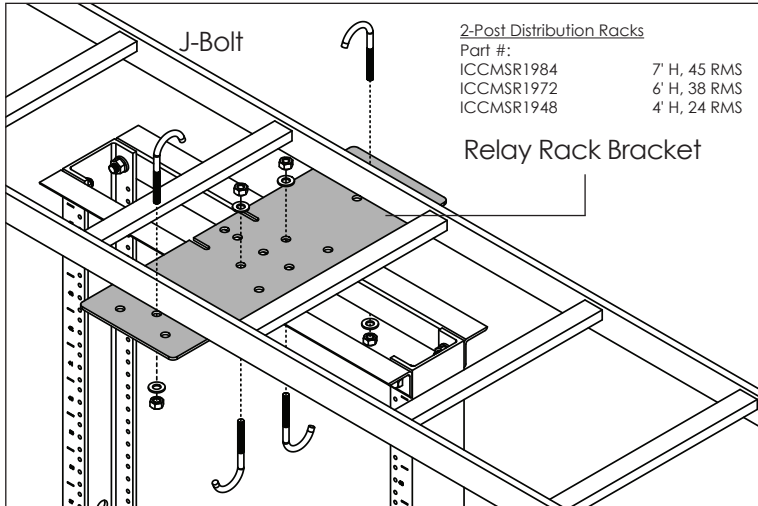
# Ladder Rack System

## INSTALLATION INSTRUCTIONS

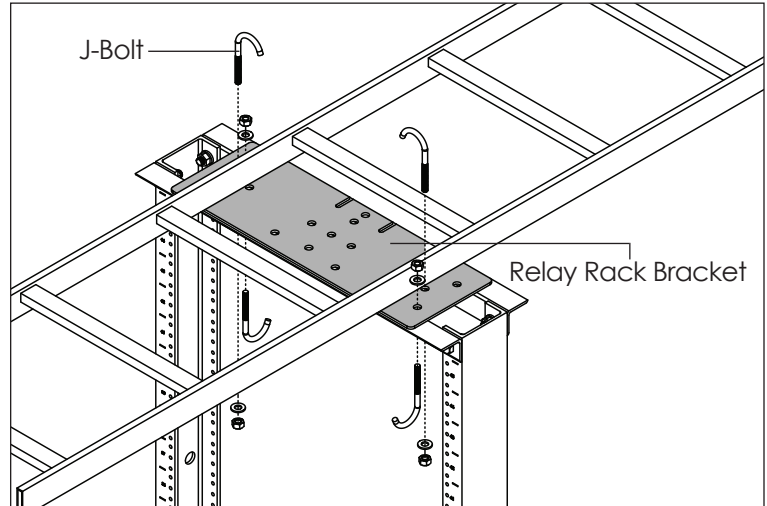
**IMPORTANT:** Before you start, please plan on how the ladder rack system is to be configured.

### How to Mount Ladder on a Rack with a Relay Rack Bracket Kit

#### On Distribution Racks

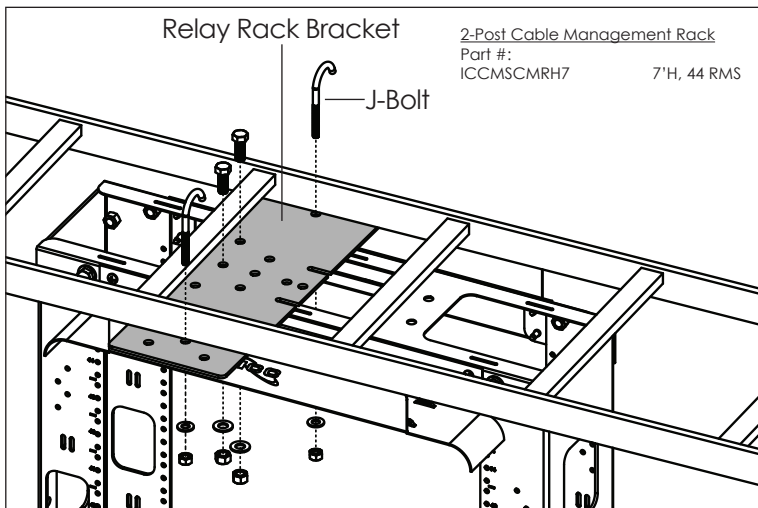


Option 1: Mount bracket parallel to rack as shown using 2 J-Bolts. Then mount ladder running parallel to rack as shown using 2 J-Bolts.

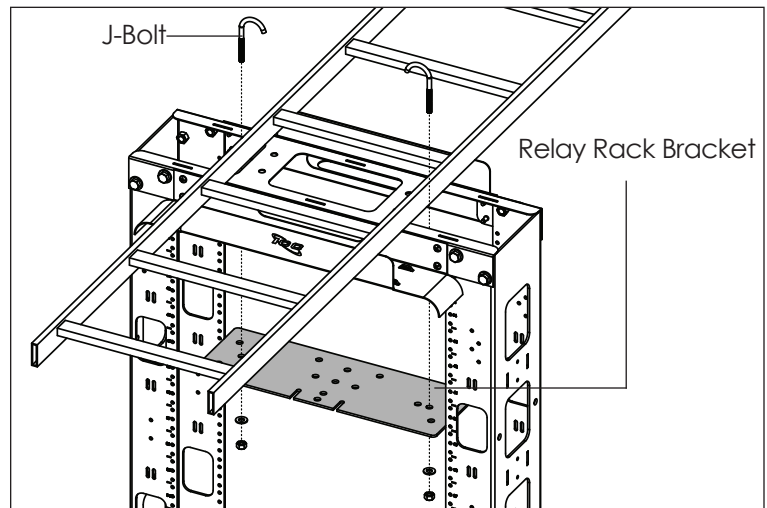


Option 2: Mount bracket perpendicular to rack as shown using 2 J-Bolts. Then mount ladder running perpendicular to rack as shown using 2 J-Bolts.

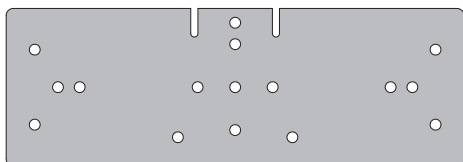
#### On Cable Management Racks



Option 1: Mount bracket parallel to rack as shown using 2 J-Bolts. Then mount ladder facing parallel to rack as shown using 2 J-Bolts.



Option 2: Place ladder on top and bracket underneath perpendicular to rack as shown. Secure both of them using 2 J-Bolts.



**Part No. ICCMSLRBK**

Includes: 1 bracket, 4 J-Bolts, and 4 nuts.

Hole positions and size .375"



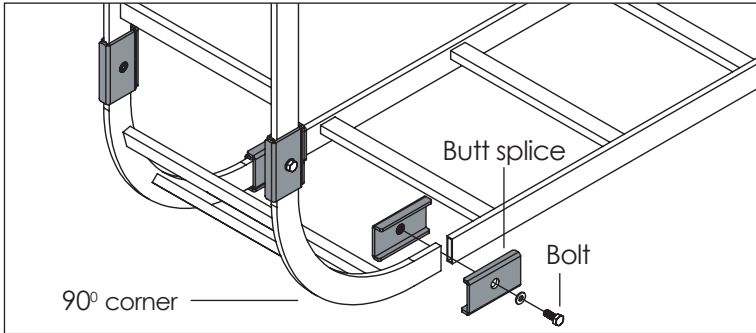
# Ladder Rack System

## INSTALLATION INSTRUCTIONS

**IMPORTANT:** Before you start, please plan on how the ladder rack system is to be configured.

### How to Connect Ladder and Protect Cable

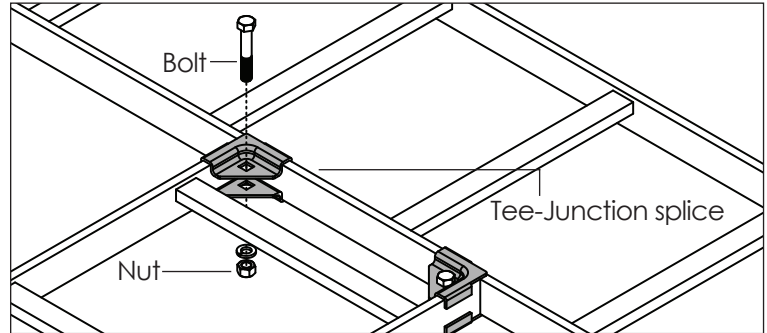
#### End to End (Butt) Splice Kit



**Part No.: ICCMSLRBSK**

- To join the ends of ladder rack runway together
- Includes 20 brackets, 10 bolts, and 10 washers

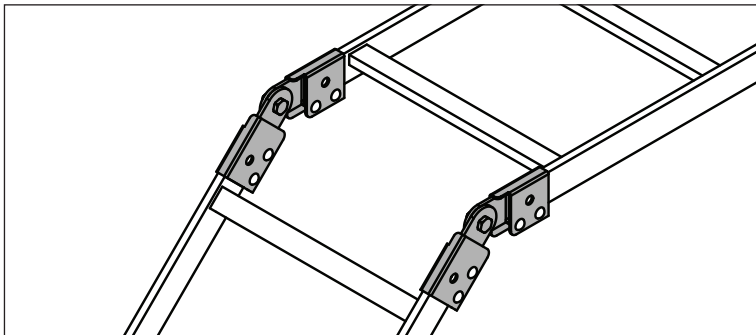
#### Tee-Junction Splice Kit



**Part No.: ICCMSLTJSK**

- To fasten ladder rack runway in a tee intersection
- Includes 4 brackets, 2 nuts, and 2 bolts

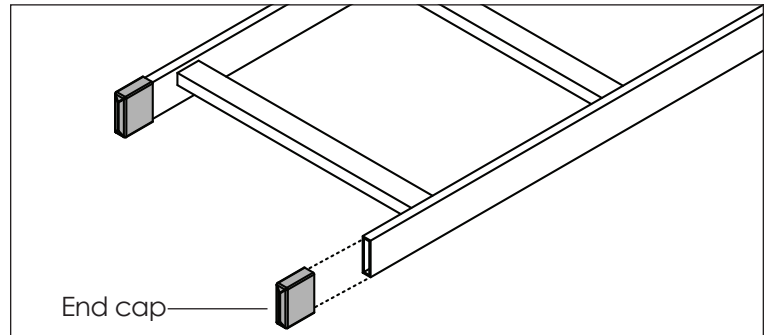
#### Swivel Butt Splice



**Part No.: ICCMSLESK**

- To allow ends to adjust in various angles
- Includes 2 swivel butt splices

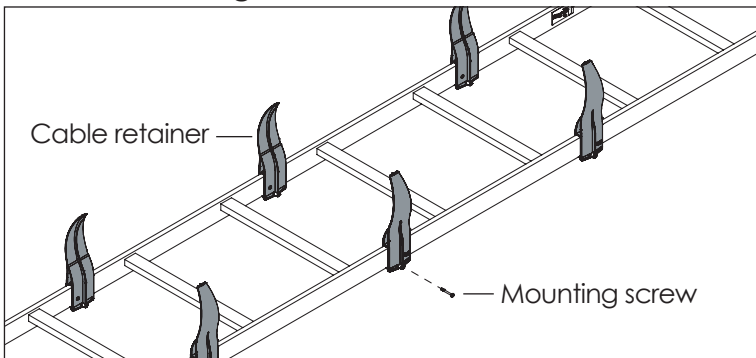
#### Protective End Caps



**Part No.: ICCMSLPECK**

- To cover the ends of ladder rack runway
- Includes 2 end caps

#### Cable Retaining Post Kit



**Part No.: ICCMSLRCRP**

- To prevent cable from falling off ladder rack runway
- Includes ten (10) 7" posts and 10 mounting screws

Ladder Rack Weight Chart 50% Capacity			Cable Runway Fills		
Distance Between Span	Weight Capacity	Width	CAT 6A (50%**)	CAT 6 (50%**)	CAT 5e (50%**)
10' straight section Part # ICCMSLST10	300 lb.*	12"	500	720	1100
5' straight section Part # ICCMSLST05	500 lb.*	12"	500	720	1100

\*When properly secured on both ends of ladder rack runway straight sections

\*\*Cable fills are based on .34 inch outside diameter (OD) CAT 6A, .24 inch O.D. CAT 6, and .21 inch O.D. CAT 5e ICC cable