

# High Current Contact Switches

WWW.GRISK.COM



- ◆ Hermetically sealed solid tungsten contacts
- ◆ Capable of extended operation applications in extreme environments with aluminum case and high temperature wire
- ◆ Capable of switching power loads between three and 100 Watts
- ◆ 18 AWG wire to accommodate higher current loads (gray only)
- ◆ Excellent match for applications needing a reed switch to activate higher voltage components; lights, blower motors, light industrial air compressors, home water fountains, pumps, etc.
- ◆ Available in a variety of switch styles

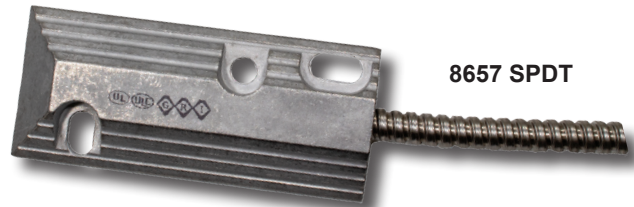
8180 HP-W SPDT



8709HP SPDT



8657 SPDT



10645 SPDT



## HS-634 Reed Specifications

Power	100 Watts Maximum
Switching Current	120 VAC Maximum
Switching Current	3 Amp Maximum
Operating Temperatures	-40°F to 257°F
C-Form Reed	SPDT

**Note:** Not for use on electrical 110 AC applications.

## Part Numbers

Call factory for other available parts and part numbers with this reed.

**WARRANTY:** One year warranty against workmanship, material and factory defects.

GEORGE RISK INDUSTRIES, INC.  
G.R.I. PLAZA  
KIMBALL, NE 69145

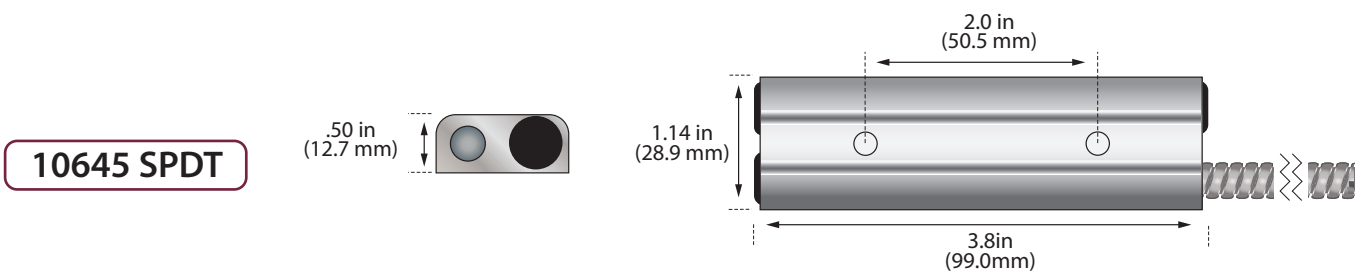
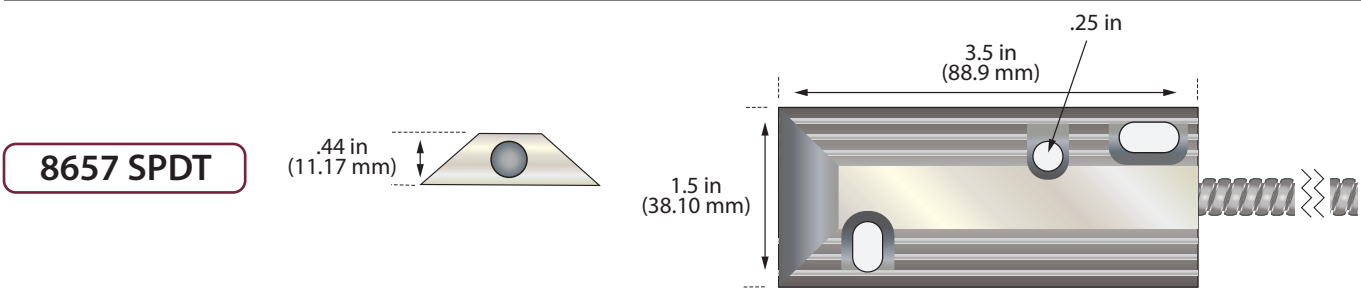
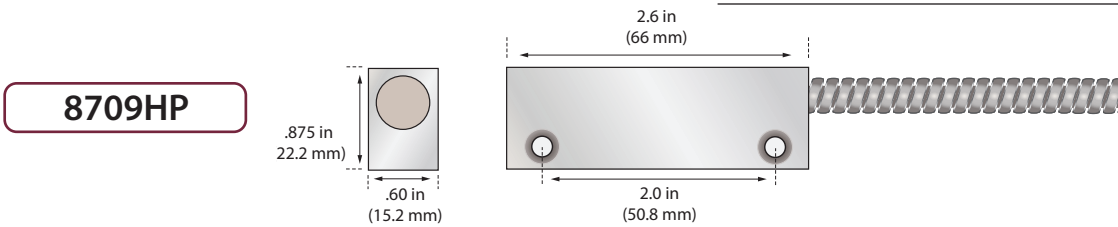
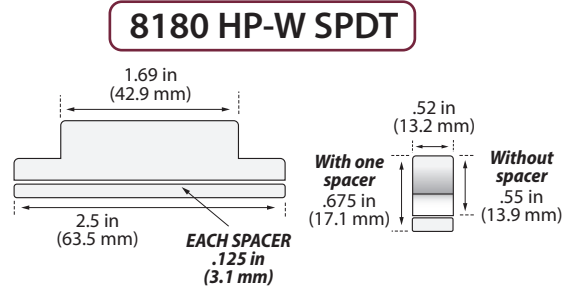
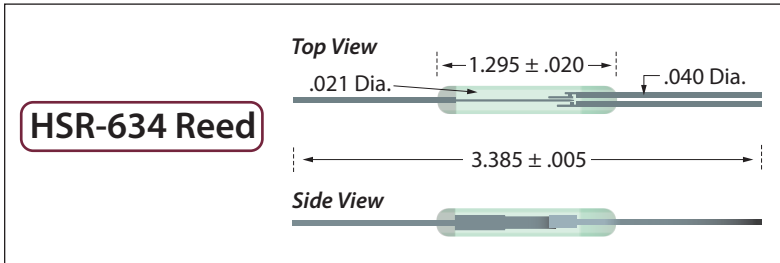
WWW.GRISK.COM



1-800-445-5218  
1-800-523-1227  
(308) 235-4645  
FAX (308) 235-3561  
E-MAIL: sales@grisk.com

# High Current Contact Switches

WWW.GRISK.COM



**GRI PRODUCTS MEET OR EXCEED THESE MINIMUM GENERAL SPECIFICATIONS:**

Part Number	Loop Type	Electrical Configuration	Max. Contact Rating (W)	Max. Switching Voltage (VAC)	Max. Switching Current (A)
HS-634	Open/Closed	SPDT	3	120	3

**WARRANTY:** One year warranty against workmanship, material and factory defects.

GEORGE RISK INDUSTRIES, INC.  
 G.R.I. PLAZA  
 KIMBALL, NE 69145

WWW.GRISK.COM



1-800-445-5218  
 1-800-523-1227  
 (308) 235-4645  
 FAX (308) 235-3561  
 E-MAIL: sales@grisk.com