

DS-2SE7C432MW-AEB(14F1)(P3) 4 MP 32x TandemVu PTZ Camera



Hikvision's DS-2SE7C432MW-AEB(14F1)(P3) 4 MP 32x TandemVu PTZ camera uses a 1/2.8" progressive scan CMOS chip. With the 32x optical zoom lens, the camera offers more details over expansive areas. This series of cameras can be used for wide ranges of high-definition such as rivers, roads, railways, airports, squares, parks, scenic spots, venues, etc.

Available Model

DS-2SE7C432MW-AEB(14F1)(P3)

- Captures a Large Area with Great Detail
- High Quality 4 MP Resolution Imaging
- Excellent Low-Light Performance with Powered-by-DarkFighter Technology
- Secures an Expansive Area with 32x Optical Zoom and 16x Digital Zoom
- WDR, HLC, BLC, 3D DNR, Defog, Regional Exposure, Regional Focus, Rapid Focus
- Expansive Night View with up to 490 ft (150 m) IR Distance
- Supports 24 VAC and Hi-PoE
- Active Strobe Light and Audio Alarm To Warn Intruders Off



Specifications

DS-2SE7C432MW-AEB(14F1)(P3)		
Camera		
	Image Sensor	[Panoramic channel]: 1/2.8" Progressive Scan CMOS; [PTZ channel]: 1/1.8" progressive scan CMOS
Minimum Illumination	Panoramic Channel	0.0005 lux @ ($f/1.0$, AGC on), 0 lux with light
	PTZ Channel	Color: 0.005 lux @ ($f/1.5$, AGC on), B/W: 0.001 lux @ ($f/1.5$, AGC on), 0 lux with IR
	Shutter Speed	1 s to 1/30,000 s
	Slow Shutter	Yes
	Focus	Semi-auto, manual, auto
	Day/Night	ICR
	Day/Night Switch	Day, night, auto, scheduled-switch
	BLC	Yes
	WDR	120 dB WDR
	HLC	Yes
	3D DNR	Yes
	Defog	Yes
	EIS	Yes
	Regional Exposure	Yes
	Regional Focus	Yes
	Image Settings	Saturation, brightness, contrast, sharpness
Image Parameters Switch	Panoramic Channel	Yes
	PTZ Channel	Yes
	White Balance	Auto, ATW, sodium lamp, fluorescent lamp, indoor, outdoor, MWB, Locked WB
Zoom	PTZ Channel	32 × optical, 16 × digital
	SNR	>52 dB
	General Function	Mirror, password protection, watermark, IP address filter
Lens		
Focal Length	Panoramic Channel	4 mm
	PTZ Channel	5.9 mm to 188.8 mm, 32x optical
Zoom Speed	PTZ Channel	Approximately 5.6 s
FOV	Panoramic Channel	Horizontal field of view: 79°, vertical field of view: 42.4°
	PTZ Channel	Horizontal field of view: 60.2° to 2.3° (wide-tele)
Aperture	Panoramic Channel	$f/1.0$
	PTZ Channel	$f/1.5$
Illuminator		
Supplement Light Type	Panoramic Channel	White light
	PTZ Channel	IR
Supplement Light Range	Panoramic Channel	Up to 98 ft (30 m)
	PTZ Channel	Up to 490 ft (150 m)
	Smart Supplement Light	Yes

Specifications (continued)

DS-2SE7C432MW-AEB(14F1)(P3)		
PTZ		
Movement Range (Pan)	360°	
Movement Range (Tilt)	-15° to 90° (auto flip)	
Pan Speed	Pan speed: configurable from 0.1° to 160°/s; preset speed: 240°/s	
Tilt Speed	Tilt speed: configurable from 0.1° to 120°/s, preset speed 200°/s	
Proportional Zoom	Yes	
Presets	300	
Patrol Scan	8 patrols, up to 32 presets for each patrol	
Pattern Scan	4 pattern scans	
Power-off Memory	Yes	
Park Action	Preset, pattern scan, patrol scan, auto scan, tilt scan, random scan, frame scan, panorama scan	
3D Positioning	Yes	
PTZ Status Display	Yes	
Preset Freezing	Yes	
Scheduled Task	Preset, pattern scan, patrol scan, auto scan, tilt scan, random scan, frame scan, panorama scan, dome reboot, dome adjust, aux output	
Exception Detection	IP address conflict, HDD full, illegal login, HDD error, network disconnected	
Video		
Maximum Resolution	[Panoramic channel]: 2560 × 1440; [PTZ channel]: 2560 × 1440	
Stream Type	Main stream, sub-stream, third stream	
Main Stream	Panoramic Channel	50 Hz: 25 fps (2560 × 1440, 1920 × 1080, 1280 × 960, 1280 × 720)
		60 Hz: 30 fps (2560 × 1440, 1920 × 1080, 1280 × 960, 1280 × 720)
	PTZ Channel	50 Hz: 25 fps (2560 × 1440, 1920 × 1080, 1280 × 960, 1280 × 720)
		60 Hz: 30 fps (2560 × 1440, 1920 × 1080, 1280 × 960, 1280 × 720)
Sub-Stream	Panoramic Channel	50 Hz: 25 fps (704 × 576, 640 × 480, 352 × 288)
		60 Hz: 30 fps (704 × 480, 640 × 480, 352 × 240)
	PTZ Channel	50 Hz: 25 fps (704 × 576, 640 × 480, 352 × 288)
		60 Hz: 30 fps (704 × 480, 640 × 480, 352 × 240)
Third Stream	Panoramic Channel	50 Hz: 25 fps (1920 × 1080, 1280 × 960, 1280 × 720, 704 × 576, 640 × 480, 352 × 288)
		60 Hz: 30 fps (1920 × 1080, 1280 × 960, 1280 × 720, 704 × 480, 640 × 480, 352 × 240)
	PTZ Channel	50 Hz: 25 fps (1920 × 1080, 1280 × 960, 1280 × 720, 704 × 576, 640 × 480, 352 × 288)
		60 Hz: 30 fps (1920 × 1080, 1280 × 960, 1280 × 720, 704 × 480, 640 × 480, 352 × 240)
Video Compression	H.265, H.264, MJPEG	
Video Bit Rate	32 kbps to 16384 kbps	
H.264 Type	Baseline profile, main profile, high profile	
H.265 Type	Main profile	
H.264+	Yes	
H.265+	Yes	
SVC	Yes	
ROI	Main stream, sub-stream and third stream respectively support eight fixed areas	
Audio		
Audio Compression	G.711alaw, G.711ulaw, G.722.1, G.726, MP2L2, AAC, PCM	
Audio Bit Rate	MP2L2: 32 kbps, 40 kbps, 48 kbps, 56 kbps, 64 kbps, 80 kbps, 96 kbps, 112 kbps, 128 kbps, 144 kbps, 160 kbps, 192 kbps	
Audio Sampling Rate	MP2L2: 16 kHz, 32 kHz, 48 kHz, PCM: 8 kHz, 16 kHz, 32 kHz, 48 kHz	
Environment Noise Filtering	Yes	
Smart Features		
Face Capture	Detect up to five faces at the same time. Detect, track, capture, grade, select face in motion, and output the best face picture of the face	
Basic Event	Motion detection, alarm input, alarm output, video tampering alarm, exception	
Smart Event	Intrusion detection, line crossing detection, region entrance detection, region exiting detection, audio exception detection	

Specifications (continued)

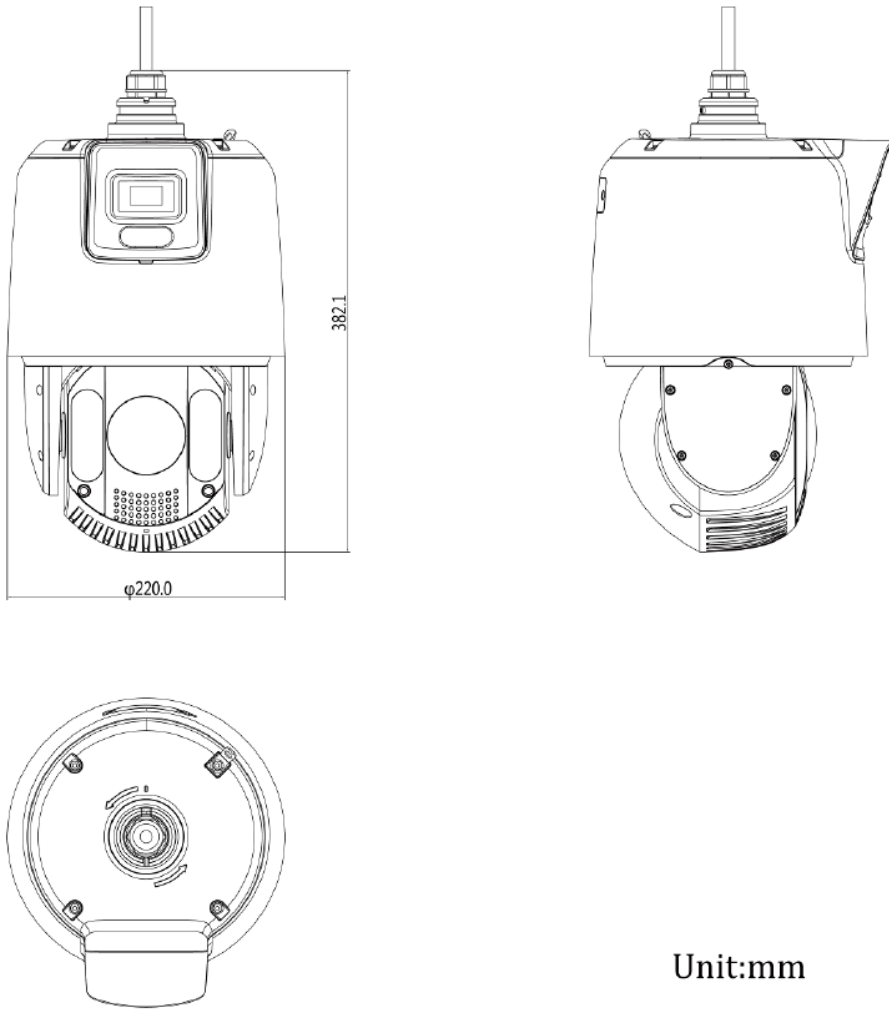
DS-2SE7C432MW-AEB(14F1)(P3)	
Smart Features (continued)	
Smart Tracking	Manual tracking, panorama tracking
Smart Record	ANR, Dual-VCA
Alarm Linkage	Preset, patrol scan, pattern scan, memory card video recording, alarm output, send e-mail, notify surveillance center, upload to FTP, smart tracking, audible warning, flash white light
Warning and Alert	White light and audible warning
Network	
Network Storage	NAS (NFS, SMB/ CIFS), ANR
Protocols	IPv4/IPv6, HTTP, HTTPS, 802.1x, QoS, FTP, SMTP, UPnP, SNMP, DNS, DDNS, NTP, RTSP, RTCP, RTP, TCP/IP, UDP, IGMP, ICMP, DHCP, PPPoE, Bonjour
API	Open-ended API, Open Network Video Interface (Profile S, Profile G), ISAPI, Hikvision SDK, Tthird-party management platform, ISUP
Simultaneous Live View	20
User/Host	32
Security Measures	Authenticated username and password, MAC address binding, HTTPS encryption, 802.1x authenticated access, IP address filter
Client	iVMS-4200, Hik-Connect
Web Browser	IE 10+, Chrome 57+, Firefox 52+, Safari 12+
Interface	
Communication Interface	RJ-45, self-adaptive 10M/100M Ethernet port
On-Board Storage	Built-in memory card slot, support MicroSD/MicroSDHC/MicroSDXC, up to 256 GB
Alarm Input	2 alarm inputs
Alarm Output	1 alarm output
Audio Input	1 audio input, 2.0 to 2.4Vp-p, 1k Ohm \pm 10%
Audio Output	1 audio output, line level, impedance: 600 Ω
General	
Power	24 VAC, Hi-PoE
Power Consumption and Current	Maximum 42 W, including maximum 2.6 W for heater and maximum 11 W for supplement light
Operating Conditions	-30° C to 65° C (-22° F to 149° F), humidity lower than 90% relative humidity
Reset	Yes
De-Mist	De-mist by heating the glass
Material	ADC12
Dimensions	Ø220 mm × 382.1 mm (Ø8.66" × 15.04")
Weight	Approximately 6 kg (13.23 lb)
Approval	
Protection	IP66 Standard, IK10 (excluding glass window), 6000 V Lightning Protection, Surge Protection and Voltage Transient Protection

DORI

The DORI (detect, observe, recognize, identify) distance gives a general idea of the camera's ability to distinguish persons or objects within its field of view. It is calculated based on the camera sensor specification and the criteria given by EN 62676-4:2015.

DORI	Detect	Observe	Recognize	Identify
Definition	25 px/m	63 px/m	125 px/m	250 px/m
Distance (Tele)	3060.0 m (10039.4 ft)	1214.3 m (3983.9 ft)	612.0 m (2007.9 ft)	306.0 m (1004.0 ft)

Dimensions



Unit:mm

Accessories

INCLUDED



Hi-PoE Injector

NOT INCLUDED



CPM-S
Pendent Mount



WMP-L
Wall Mount



CMP
Corner Mount



PMP
Vertical Pole Mount