

CPM-SS

316L Stainless Steel Pendant Ceiling Mount

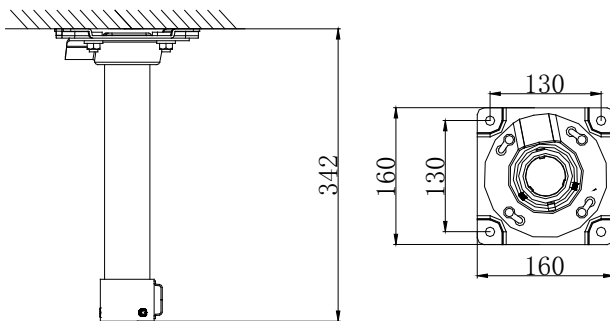
- 316 L Stainless Steel Construction
- Pendant Mount for the DS-2DT6223-AELY
- Safety Rope for Convenient Installation

The CMP-SS is a 316L Stainless Steel Pendant Ceiling Mount designed for the DS-2DT6223-AELY Stainless Steel, Anti-Corrosion IP PTZ camera system.

Available Model: CPM-SS



Dimensions



Specifications

	CPM-SS
Description	316 L Anti-Corrosive Pendant Ceiling Mount
Material	316L Stainless Steel
Dimension	6.3" x 6.3" x 9.6" (160 mm x 160 mm x 243 mm)
Weight	4.17 lbs (1.89 kg)