

COAXIAL SURGE PROTECTOR DC-7GHz

BDA-P8AX09-6G-N/FF

Product Features

- RF coaxial surge protector
- DC-7 GHz
- 70 W
- Connectors : N
- Low insertion loss
- Removable GDT
- DC-pass
- Bi-directional protection

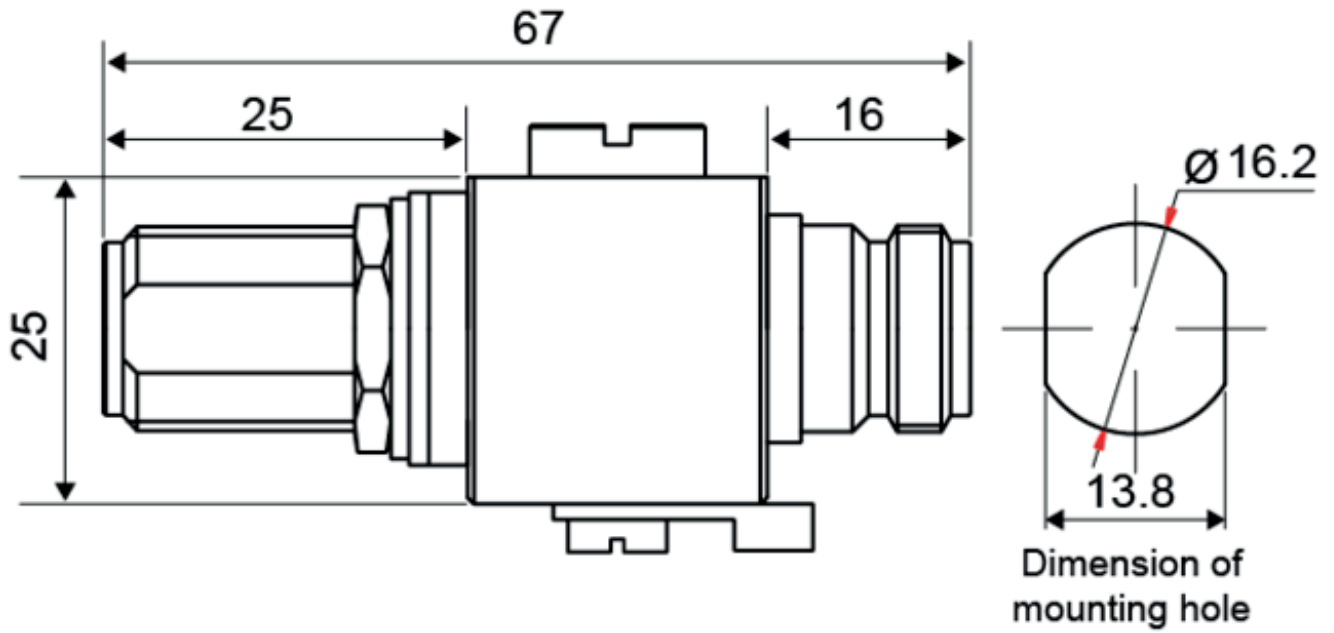


Electric Specifications	Value
Frequency range	DC-7 GHz
Insertion loss	< 0.2 dB
Return loss	> 19 dB
Impedance	50 ohms
VSWR	<1.25:1
Max. load current	10 A
Operating current(Continuous current at Uc)	None
Max. discharge current(max. withstand @ 8/20 μs by pole)	20 kA
Protection mode(s)	Common mode
Protection level (@ In (8/20μs)	< 1100 V
Impulse current(2 x 10/350μs Test - D1 Category)	1 kA
Nominal discharge current(8/20μs Test x 10 - C2 Category)	5 kA
Max Power	70 W
Typical let through energy (50 ohms) input 4kV 1.2/50μs - 2kA 8/20μs)	2.2 mJ
DC Pass	true
Insulation resistance	≥10 GOhms

Mechanical Specifications	Value
Technology	Gas discharge tube
Connection to Network	connector N Female/Female
Mounting	Feedthrough
Housing material	Brass/Surface plating : Cu Zn Sn
Operating temperature	-40/+85°C
Protection rating	IP66
Outdoor application	Yes
Failsafe mode	Short-circuit
Disconnection indicator	Transmission interrupt
Spare module(s)	2 x BA HF - 90/20
Contacts	Bronze/Surface Au-Ag
Weight	0.165 kg

COAXIAL SURGE PROTECTOR
DC-7GHz

BDA-P8AX09-6G-N/FF



DOC HON-62136.00 - 11122020 - DMC

Honeywell Building Technologies
715 Peachtree Street NE
Atlanta, GA 30308
www.honeywell.com

HON-62136.00 • 11122020
©2020 by Honeywell International Inc. All rights reserved.
Unauthorized use of this document is strictly prohibited.
This document is not intended to be used for installation purposes. We try to keep our product information up-to-date and accurate. We cannot cover all specific applications or anticipate all requirements. All specifications are subject to change without notice.
Country of origin: U.S.A.

**THE
FUTURE
IS
WHAT
WE
MAKE IT**

Honeywell