

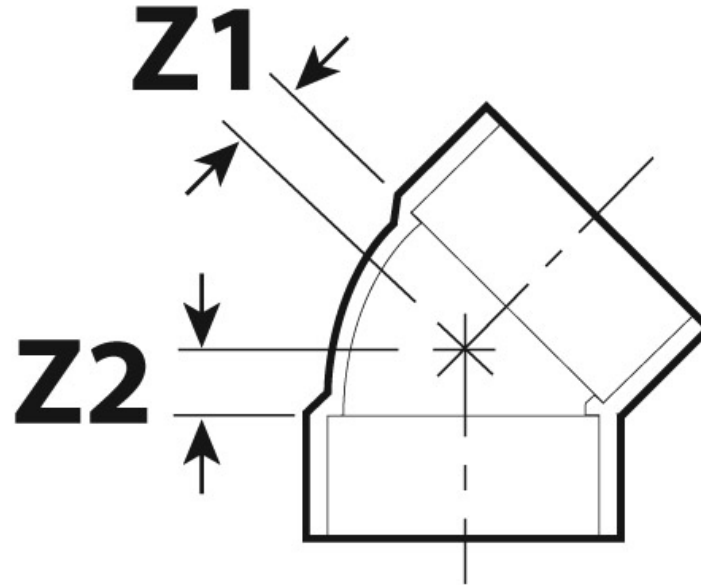


Submittal Sheet

Part Description:
45° Elbow White - Socket x Socket

Part Number:
765517W

Approvals and Listings maintained by:
Canplas Industries Ltd
Canada: 1-800-461-5300 USA: 1-888-461-5307



Part #	Part UPC	Size (inches)	Ctn Qty	Ctn Bar Code	Ctn. Wt (Kgs)	Ctn. Wt (lbs)	Skid Cubic (m)	Skid Cubic (ft)	Ctns/Skid
765517W	662671760470	2X2	80	10662671760477	3.60	7.92	1.79	63.37	72

Dimensions (inches)

Z1	Z2
0.498	0.484