

GV-RKR1355 Scramble Keypad Reader



GV-RKR1355 is a scramble keypad reader with numeric keys displayed in random order after cards are swiped or PINs are entered. Featured with Wiegand and RS-485 interfaces, GV-RKR1355 can be integrated to any standard access control systems.

Key Features

- Scramble keypad to prevent onlookers from detecting the PIN
- Access control card and PIN code recognition
- Wiegand interface for third-party integration
- RS-485 interface for longer distance installation
- RS-485 / OSDP communication
- 13.56 MHz ISO14443A
- MIFARE® DESFire® card support
- GeoVision access cards with GID (GeoVision Identifier) support
- Case sensor detection for tempering alarm

Specifications

Frequency	13.56 MHz ISO14443A
Wiegand Interface	Wiegand 26 / 34 bits, distance 30 m (98.43 ft)
RS-485 Interface	RS-485 / OSDP communication, 9,600 bps, distance 600 m (1968.50 ft)
Read Range	3 cm (max)
Keypad	12 keys (0-9, C, E); illuminated keys
Input Port	Case Sensor x 1
LED	Green / Red Bi-color LED x 1 (Status / Power)
Beeper	Buzzer
Color	Black
ID Setting	DIP Switch
Supported ID Formats	UID, GID, DES-ID
Power Source	DC 12V / 1A
Power Consumption	300 mA (max)
Operating Temperature	-20 °C ~ 70°C (-4 °F ~ 158 °F)
Operating Humidity	20~ 80% RH (non-condensing)

Dimensions (L x W x H)	122 x 88 x 28 mm / 4.8 x 3.5 x 1.1 in
Weight	260 g / 0.57 lb
Ingress Protection	IP55
Certification	CE, FCC, LVD, UKCA

- Note:**
1. RS-485 and network communications only support GeoVision controllers, while Wiegand is compatible with third-party controllers.
 2. Currently only GV-AS1620 and GV-CS1320 controllers support OSDP communication.
 3. It is recommended to apply silicone sealant to the sides of the reader to prevent water from entering along the wall.
 4. Specifications are subject to change without notice.

Compatible Products

- **GV-ASManager:** V5.3.3 or later
- **GV-AS210 / 2110 / 2120, GV-AS810 / 8110 / 8111, GV-AS410 / 4110 / 4111:** V2.41 or later (only Weigand interface supported)
- **GV-AS1620:** V1.05 or later
- **GV-CS1320:** V3.10 or later

Options

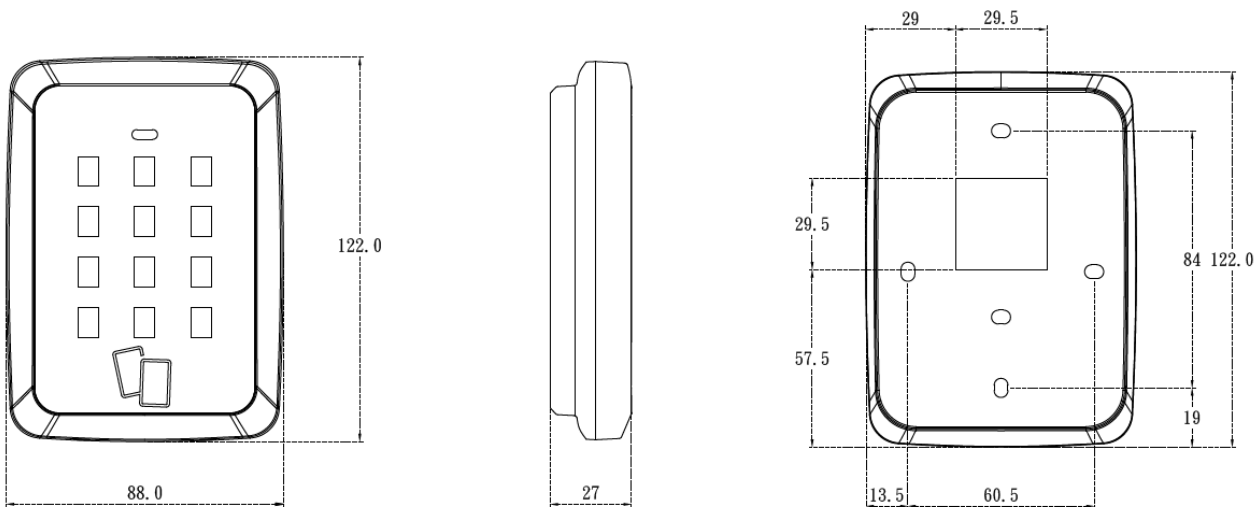
Optional accessories can expand the capabilities and versatilities of your GV-Reader. Consult our sales representative for more information.

GV-Access Card, Key Fob, Sticker	13.56 MHz cards, key fobs, stickers, and MIFARE® DESFire® cards are available.
----------------------------------	--

Packing List

1. GV-RKR1355
2. Screw x 4
3. Cable
4. Quick Start Guide

Dimensions



Scale:mm