

WGES / WGEC Series

Outdoor Evacuation Signals

24 VDC Outdoor Commander Strobe and Horn/Strobe

1 unit per carton, 3 pounds per carton

Applications

The Outdoor Commander Series is a outdoor listed strobe and horn/strobe combination that offers dependable visible and/or audible alarms for all outdoor needs.

The WGE Series offers a fixed 75 candela strobe. The WGEC horn/strobe offers a continuous or synchable temporal 3 in 2400Hz, mechanical and chime as well as a whoop tone. All tones are easy for the professional to change in the field by the use of switches.

Included with the WGE Series is the GOE or GOELP outdoor enclosure. The enclosure is made of high quality Lexan® material, providing protection from weather related conditions and allowing the necessary full candela output. This highly constructed enclosure meets various installation requirements including deterring moisture from entering the enclosures.

The Outdoor Commander Series is equipped with a standard 4" mounting plate which incorporates the Super-Slide® feature that allows the installer to easily test for supervision. The product also features a locking mechanism which secures the product to the bracket without any screws showing. The WGE Series also features the Checkmate® instant voltage verification feature which allows the installer to check the voltage drop draw and match it to the blueprint.

The WGE Series appliances are ANSI/UL 464, ANSI/UL 1638, CAN/ULC S525 and/or CAN/ULC S526 listed for use with fire protective systems and are warranted for three years from date of purchase.

Standard Features

- Nominal voltage 24 VDC
- Fixed 75 candela
- GOE Unit Dimensions: 5.84" (14.83 cm) high x 4.81" (12.22 cm) wide x 4.22" (10.72 cm) deep
- GOELP Unit Dimensions: 5.84" (14.83 cm) high x 4.81" (12.22 cm) wide x 3.25" (8.255 cm) deep
- Super-Slide® - Ease of Supervision Testing
- Checkmate® Instant Voltage Verification
- Prewire entire system, install mounting bracket, then install signals
- Input terminals accept 12 to 18 AWG
- Horn/strobe switch selection for high or low dBA
- Horn/strobe switch for 2400 Hz, mechanical, chime and whoop tones
- Horn/strobe switch for continuous or temporal 3 (not available on whoop tone)
- Synchronize strobe and/or horn by using Gentex AVSM Control Module
- Silence audible while visual appliance will remain flashing
- Tamperproof re-entrant grill and locking screw (optional use)
- GOE/GOELP made of clear Lexan® - provides maximum visibility and reliability for effective visible signaling - allowing full 75cd output
- Faceplate available in red or off-white
- Wall mount



Product Listings



- ANSI/UL 464 and ANSI/UL 1638 Listed
- CAN/ULC S525 and/or CAN/ULC S526 Listed
- CSFM: 7135-0569:122 (WGEC)
7125-0569:127 (WGES)
7300-0569:124 (ENCLOSURE)
- MEA: 285-91E-XVI

Product Compliance

- NFPA 72
- Americans with Disabilities Act (ADA)
- IBC/IFC/IRC
- Quality Management System is certified to: ISO 9001:2008

GEH Low Profile Evacuation Horn

Model	Part Number	Voltage (VDC)	Reverberant dBA at 10ft.	Anechoic Room dBA at 10ft.
GEH24-R	904-1205-002	24	70-82 dBA	100 dBA
GEH24-W	904-1207-002	24	70-82 dBA	100 dBA

NOTE: Must order the GOE or GOELP (sold separately) when using the GEH24 in an outdoor application.

WGES24 Evacuation Outdoor Strobe

Model	Part Number	Voltage (VDC)	Candela
WGES24-75WR	904-1219-002	24	75
WGES24-75WW	904-1220-002	24	75
WGES24-75WRLP	904-1261-002	24	75
WGES24-75WWLP	904-1263-002	24	75

WGEC24 Evacuation Outdoor Horn/Strobe

Model	Part Number	Voltage (VDC)	Candela	Reverberant dBA at 10ft.	Anechoic Room dBA at 10ft.
WGEC24-75WR	904-1217-002	24	75	70-82 dBA	100 dBA
WGEC24-75WW	904-1218-002	24	75	70-82 dBA	100 dBA
WGEC24-75WRLP	904-1257-002	24	75	70-82 dBA	100 dBA
WGEC24-75WWLP	904-1259-002	24	75	70-82 dBA	100 dBA

R = Red Faceplate, W = White Faceplate

LP = Low Profile (GOELP Enclosure)

All units are available in plain (no lettering)

Plain units are not returnable

WGES / WGEC is shipped with the GOE or GOELP Outdoor Enclosure

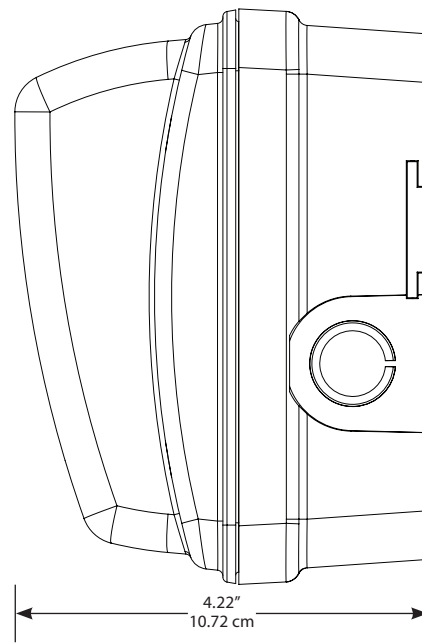
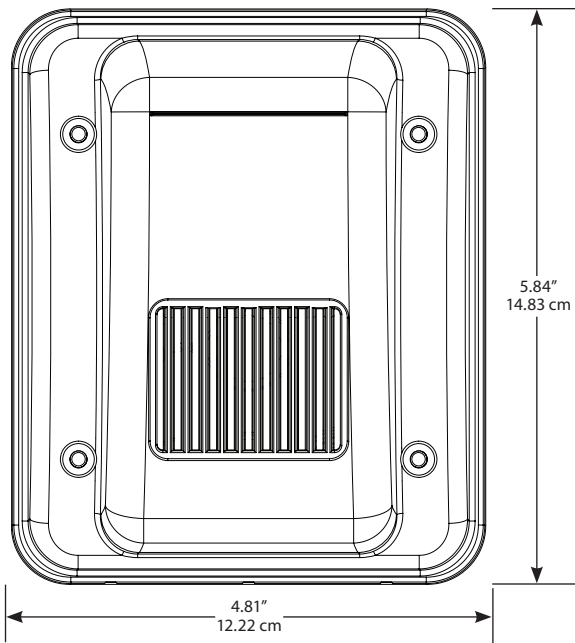
WGE 24 VDC Series Strobe Current Ratings

Candela	24 VDC	UL Max
75 cd	112 mA	170 mA

WGE 24 VDC Horn Decibel (dBA) and Current Ratings (mA)

Horn Mode	Horn Decibel Levels (dBA)		Horn Current Ratings (mA)
	Minimum SPL at 10ft. per ANSI/UL 464 (HIGH)	Minimum SPL at 10ft. per ANSI/UL 464 (LOW)	UL MAX Regulated 24 VDC Operating Current (HIGH)
Temp 3 2400Hz	78 dBA	71 dBA*	28 mA
Temp 3 Mechanical	76 dBA	70 dBA*	25 mA
Temp 3 Chime	70 dBA*	66 dBA*	15 mA
Continuous 2400Hz	81 dBA	74 dBA*	28 mA
Continuous Mechanical	80 dBA	72 dBA*	25 mA
Continuous Chime	70 dBA*	66 dBA*	15 mA
Whoop	82 dBA	69 dBA*	56 mA

* Operating the horn in this mode at this voltage will result in not meeting the minimum ANSI/UL 464 reverberant sound level required for public mode fire protection service. These settings are acceptable only for private mode fire alarm use. Use the high dBA setting for public mode application (not applicable when using the chime tone. The chime tone is always private mode).



Gentex Super-Slide® Mounting Bracket

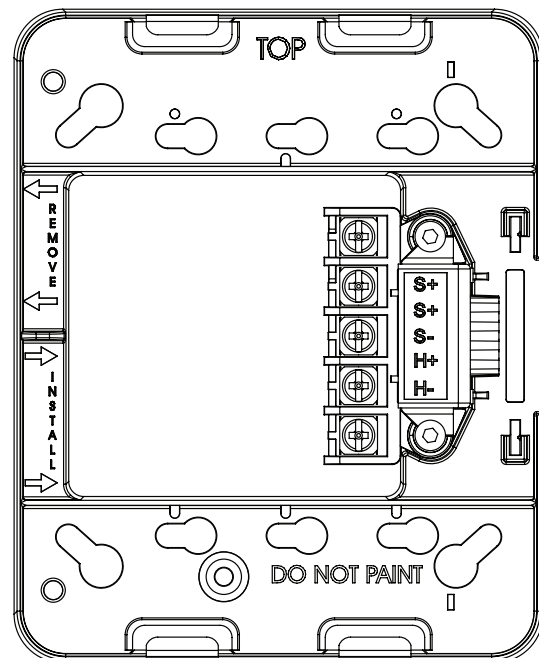
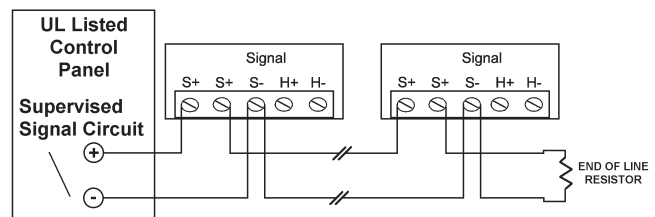
Allows the installer to prewire the system, test for system supervision, remove the signal head until occupancy, switch out Gentex signals without changing mounting brackets and has locking edge connector for snap-in-place installation.

Gentex Checkmate® Instant Voltage Verification

It is often necessary to confirm the voltage drop along a line of devices. The access holes are provided in the back of the terminal block to allow the voltage to be measured directly without removing the device. Typically this would be done at the end of the line to confirm design criteria. Most measurements will be taken using the S+ and S- locations although access is provided to other locations. *Notice: Care should be taken to not short the test probes.*

Notes

- The WGE Series is listed for outdoor use. Indoor operating temperature: 32° to 120°F (0° to 49°C). Outdoor operating temperature: -31° to 150°F (-35° to 66°C)
- For nominal and peak current across ANSI/UL regulated voltage range for filtered DC power and unfiltered (FWR [Full Wave Rectified]) power, see installation manual
- The sound output for the temporal 3 tone is rated lower since the time the horn is off is averaged into the sound output rating. While the horn is producing a tone in the temporal 3 mode, its sound pressure is the same as the continuous mode.
- This appliance is not recommended for use on coded or pulsing signaling circuits



WGES / WGEC Series

Outdoor Evacuation Signals

Architect & Engineering Specifications

The audible and/or visible signal shall be Gentex WGES, WGEC Outdoor Evacuation Signal Series or approved equal and shall be listed by Underwriters Laboratories Inc. per ANSI/UL 1638 and/or ANSI/UL 464 and CAN/ULC 5526 and/or CAN/ULCS525. The notification appliance (WGEC) shall produce a peak sound output of 100dBA or greater as measured in an anechoic chamber and shall also have the capability to silence the audible signal while leaving the visible signal energized with the use of a single pair of power wires. Additionally, the user shall be able to select either continuous or temporal tone output with the temporal signal having the ability to be synchronized. The audible/visible and visible signaling appliance shall also maintain a minimum flash rate of 1Hz or up to 2 Hz regardless of power input voltage. The appliance shall have an operating current of 170mA or less for the 75Cd strobe circuit. The appliance shall also be capable of meeting the candela requirements of the ADA (75cd). The appliance shall be polarized to allow for electrical supervision of the system wiring. The unit shall be provided with a mounting bracket with terminals with barriers for input/output wiring and be able to mount to a single gang or double gang box or double workbox without the use of an adapter plate. The unit shall have an input voltage range of 16-33 volts with either direct current of full wave rectified power for 24 volt models. The appliance shall be capable of testing supervision without disconnecting wires. Also the appliance shall be capable of mounting to a surface back box. The unit shall also be able to verify voltage at the unit without removing unit. The appliance has extended temperature range of -31° to 150°F (-35° to 66° C). The appliance shall satisfy virtually all outdoor and severe environment applications. The GOE Enclosure includes a gasket that must be inserted between the box and mounting bracket. There are drain holes in the back box to allow for drainage, the seal on the GOE Enclosure is not water tight. The GOELP Enclosure includes a weather seal for mounting to wall and intended for use with universal electrical box. To allow for drainage, bottom edge of enclosure is not water tight.