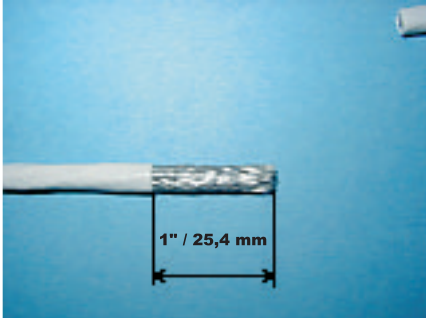


Termination Instruction:

Shielded 111 - Series Cat6 Plugs with load-bars

STEP 1: Strip outer insulation 1" / 25,4 mm



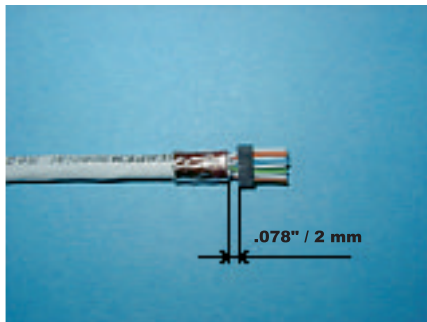
STEP 2: Fold braid back over insulation (optional: fix with copper adhesive tape). Remove foil from pairs back to insulation.



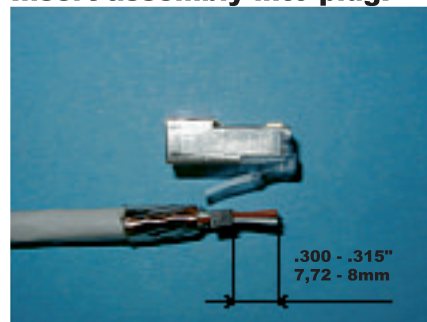
STEP 3: Put conductors in proper order. Trim conductors straight. Insert into load-bar. Wiggle until holes are caught.



STEP 4: Pull back load-bar toward insulation. Maximum gap: .078" / 2 mm



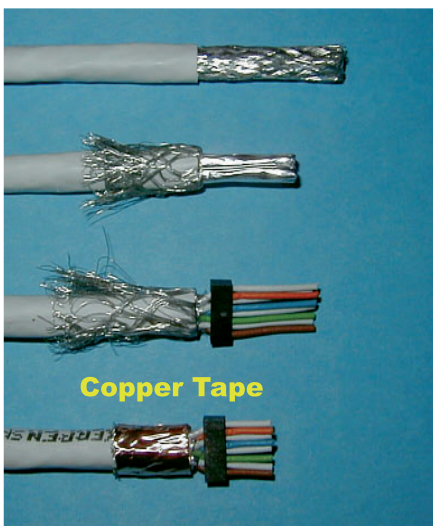
STEP 5: Trim conductors to final length: .300 - .315" / 7,72 - 8 mm (front of load-bar to tips of conductors). Insert assembly into plug.



STEP 6: Terminate plug and trim shield braid. Pull on boot if needed.

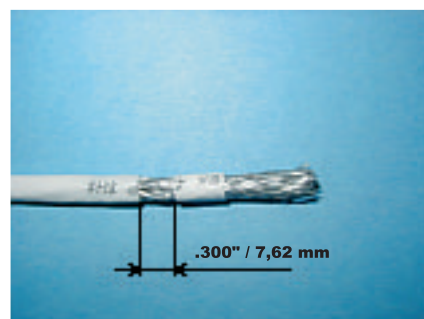


OVERVIEW: Cable preparation



NOTE: Equivalent steps for "C"-Version plugs only!

STEP 1c: To make inter-insulation crimp: strip again .384" / 10mm of insulation, remove front insulation and expose a gap of .300" / 7,62 mm with remaining insulation



STEP 2c: Cut braid or use option of folding back braid over gap area

