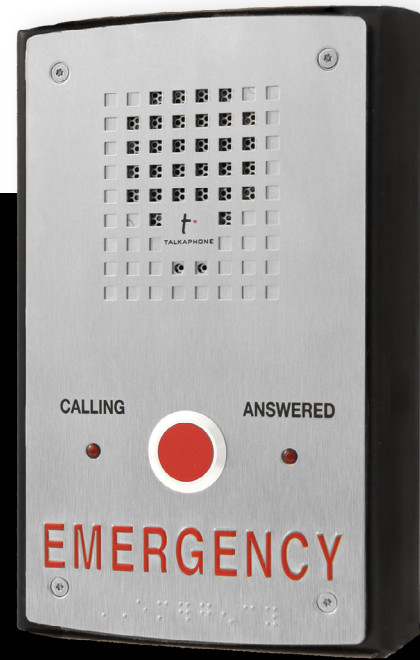




TALKAPHONE



ETP-120 SERIES COMPACT ANALOG CALL STATION

INDOOR CALL STATIONS

THE ETP-120 SERIES IS AN INDOOR, HANDS-FREE ANALOG CALL STATION FOR USE IN LOCATIONS SUCH AS ELEVATORS, AREA OF RESCUE ASSISTANCE, STAIRWELLS, INDOOR CONTROLLED ACCESS AREAS, SENIOR CITIZEN HOUSING, AND CORRECTIONAL FACILITIES.

FEATURES

- Vandal resistant stainless steel faceplate and metal button
- Connects via analog phone lines or analog PBX extension lines
- Phone line powered: no power supply or battery backup needed
- Push button once to call, then speak hands-free
- Two (2) LED indicators for hearing impaired (calling, answered)
- Built-in auto-dialer can dial up to five (5) numbers. If first number does not answer or is busy, dials second number. If second number does not answer or is busy, dials third number—and so on.
- Auto-answer on inbound calls allows security to monitor and initiate calls with the call station
- Automatically inform attendant of the location of call station through recorded message that plays at the beginning of the call.
- Compatible with ETP-TAL (optional)—polling and call identification system.
- One (1) built-in relay input
- Optional relay output
- Available in a variety of languages

General Specifications

ETP-120 SERIES	
Construction:	0.09" (2.2mm) #4 brushed 304 stainless steel faceplate
Weight:	6 lbs (2.7kg)
Mounting:	Flush and surface mounts
Communication:	2-way hands-free communication
Digital Capacity:	Up to 20-digits, including 4-second pause, for each of five (5) phone numbers
Power Source:	Phone line powered (requires 20mA at 24 V off-hook)
Connection:	Parallel tip and ring flying leads for field installation
Programming:	Non-volatile EEPROM programming can be done from any telephone No battery backup is needed.
"On Time":	Programmable for no limit or from 1 to 9 minutes in 1-minute increments
Wiring Requirements:	1 twisted-shielded pair
Operating Temperature:	32°F to +158°F (0°C to +70°C)
Relative Humidity:	Up to 95% non-condensing
Optional Relay Output (for models configured with -1R0):	Contact Voltage (Max.): 200 VDC Contact Current (Max.): 500 mA Contact Power (Max.): 10 W Resistive*
Warranty:	2-year limited warranty



ETP-120E with FM-110
Flush Mounting Box and Call Station

ETP-120E with SM-110
Surface Mounting Box and Call Station

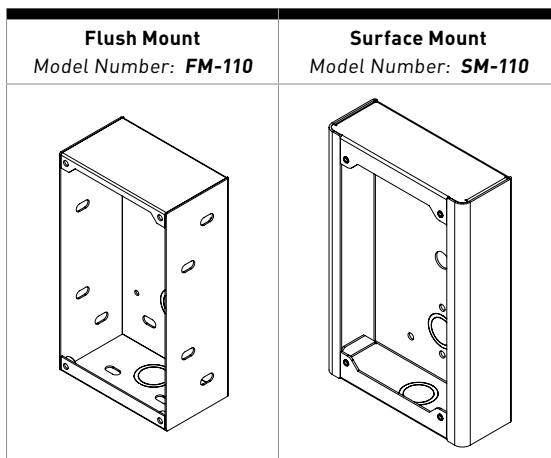
* Note: If driving an inductive load a protection device must be used.

ORDERING INFORMATION

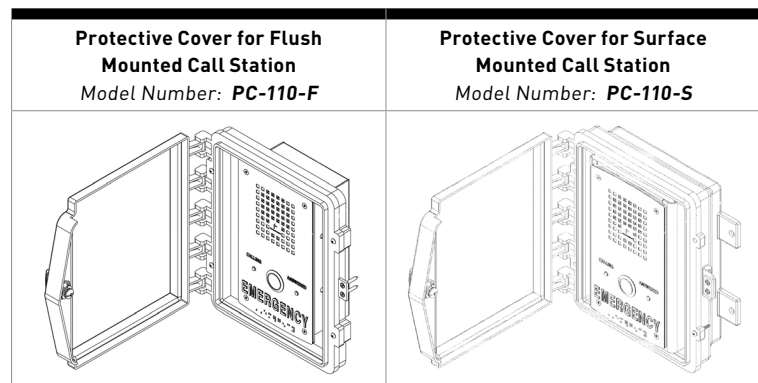
	Base Model	Verbiage	Relay
	ETP-120	E "EMERGENCY" verbiage	[Leave Blank] Built-in relay output not included
		H "HELP" verbiage	X One (1) built-in relay output
		SB No verbiage, black pushbutton	
		SR No verbiage, red pushbutton	
Example		ETP-120	E

All specifications are subject to change without notice.

MOUNTS

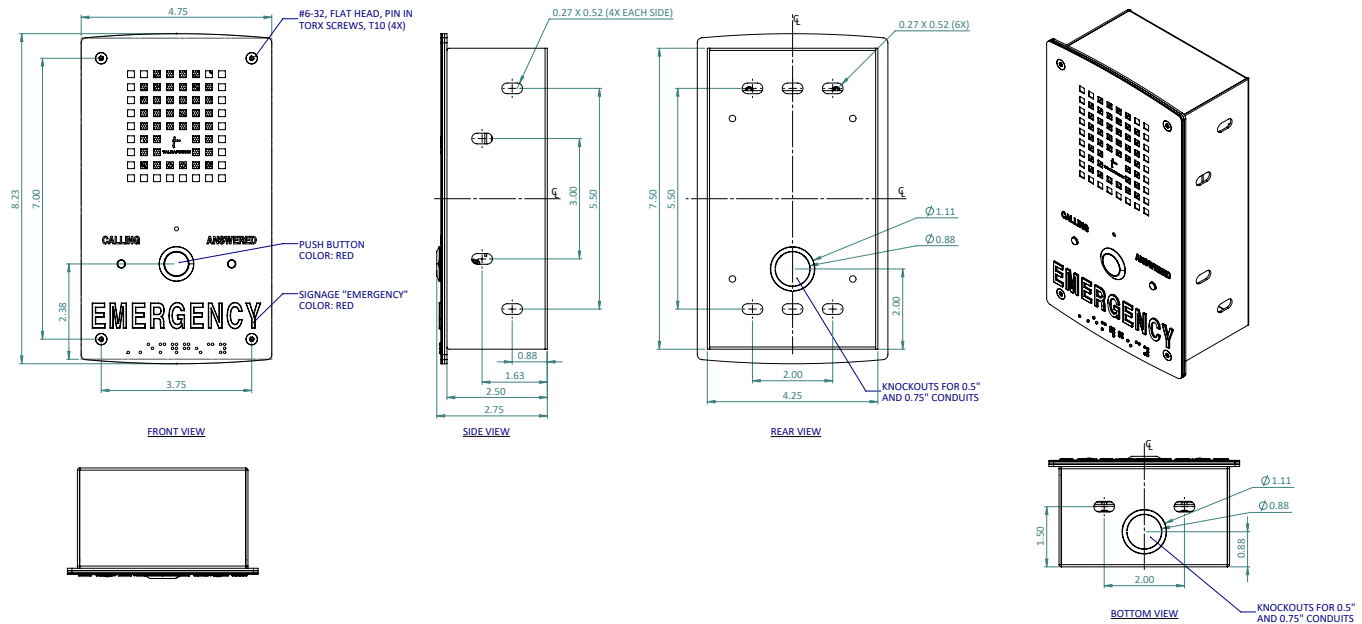


PROTECTIVE COVERS



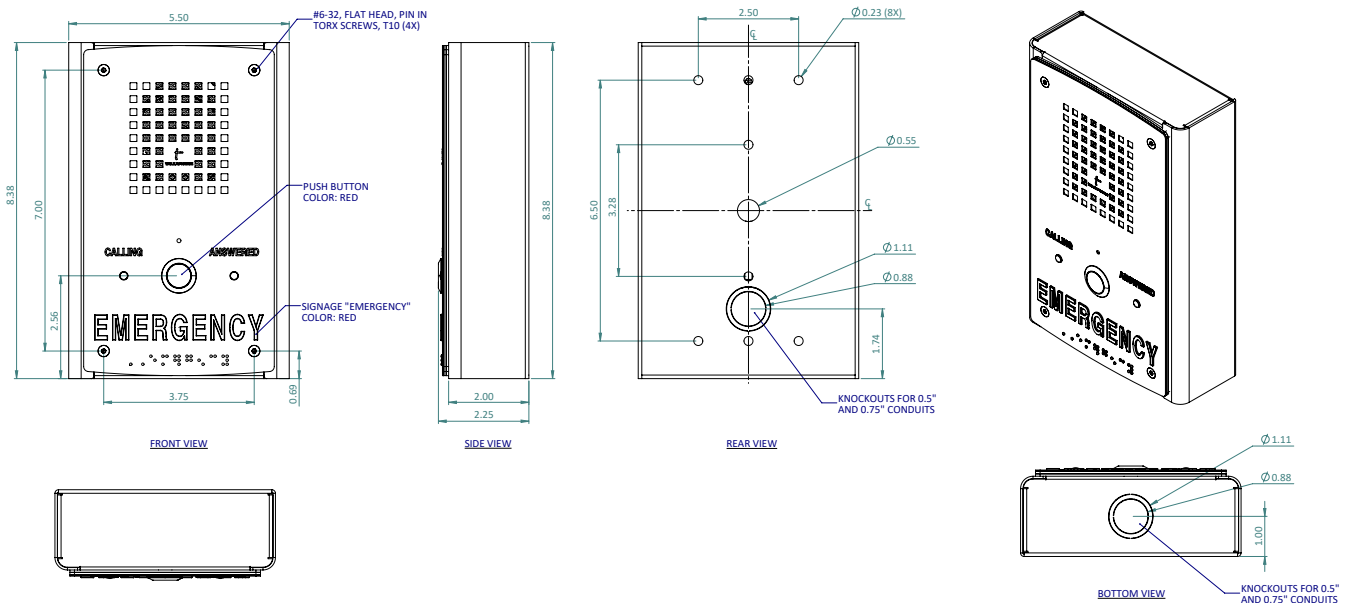
DIMENSIONAL DRAWING – ETP-120E WITH FM-110

All dimensions are in inches and are provided for reference only.



DIMENSIONAL DRAWING – ETP-120E WITH SM-110

All dimensions are in inches and are provided for reference only.



THE LEADERS IN SECURITY AND LIFE SAFETY COMMUNICATIONS

Tel: 773-539-1100
 Email: info@talkaphone.com
 Web: www.talkaphone.com

7530 North Natchez Avenue
 Niles, Illinois 60714

Terms of Use and Limited Warranty

This Product includes intellectual property and proprietary rights owned by Talk-A-Phone, LLC and/or its licensors. Your use of this Product confirms your agreement that Talk-A-Phone, LLC and/or its licensors retain all right, title and interest in and to all such property; that your rights are to access and use the Product for your internal business use only; that all Product elements will be maintained as confidential; and that the Product may not be rented, leased or lent to third parties, reverse engineered, decompiled or disassembled, or otherwise used for any purpose other than as an access device for your premises.

Talk-A-Phone, LLC warrants Talk-A-Phone Emergency Phone, Call Station, and Wide-Area Emergency Broadcast System equipment against any defects in material and workmanship, under normal use, for a period of twenty-four (24) months from date of installation, provided that Talk-A-Phone receives a completed "Installation Certification" certifying the date on which the system has been installed. An "Installation Certification" card is enclosed with every unit. In the event that no "Installation Certification" is received by Talk-A-Phone, the twenty-four (24) months will commence on the date of shipment by Talk-A-Phone. Warranty period for the metal elements of models in the GP Series Pedestals, MT Series Towers, MTE Series Towers, MT/R Series Towers, PM Series Pedestals, SM Series Surface Mounts, Via Series Mounts, and WM Series Wall Mounts is five (5) years, under the same terms and conditions. Warranty period for Area of Rescue Products is sixty (60) months, under the same terms and conditions. Warranty period for Intercommunication Products is twelve (12) months, under the same terms and conditions. If the Product is found by Talk-A-Phone to be defective within the warranty period, Talk-A-Phone's only obligation, and your exclusive remedy, is for the repair or replacement of any defective parts, provided that the Product is returned to us at 7530 N. Natchez Ave., Niles, IL 60714. Talk-A-Phone shall have no obligation to furnish or pay for the labor of any third parties or bear the expense of shipping defective Products for repair. In no event shall Talk-A-Phone or its licensors or suppliers be liable for any form of exemplary or punitive damages, or any special, indirect or consequential damages. TALK-A-PHONE EXPRESSLY DISCLAIMS ALL OTHER WARRANTIES, WHETHER EXPRESS, IMPLIED OR STATUTORY, INCLUDING BUT NOT LIMITED TO THE IMPLIED WARRANTIES OF MERCHANTABILITY OR FITNESS FOR A PARTICULAR PURPOSE. In no event shall Talk-A-Phone or its licensors or suppliers be liable for any form of exemplary or punitive damages, or any special, indirect or consequential damages. Your use of this Product constitutes your agreement to all of the foregoing terms.

THIS WARRANTY GIVES YOU SPECIFIC LEGAL RIGHTS AND YOU MAY ALSO HAVE OTHER RIGHTS WHICH VARY FROM STATE TO STATE. Further information is available at talkaphone.com/legal
 Copyright 2021 Talk-A-Phone, LLC All Rights Reserved - Rev. 11/30/2021