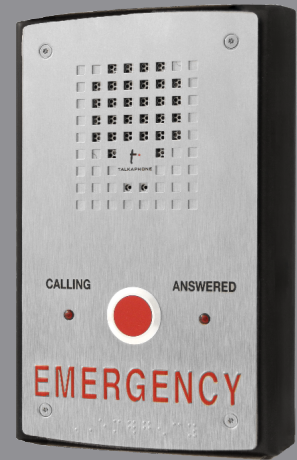




TALKAPHONE

ETP-110 SERIES COMPACT CALL STATION



CALL STATIONS

THE ETP-110 ANALOG SERIES IS AN INDOOR, HANDS-FREE EMERGENCY PHONE FOR USE IN LOCATIONS SUCH AS: ELEVATORS, AREA OF RESCUE ASSISTANCE, STAIRWELLS, INDOOR CONTROLLED ACCESS AREAS, SENIOR CITIZEN HOUSING, AND CORRECTIONAL FACILITIES.

COMPACT ANALOG CALL STATION

- Vandal resistant stainless steel faceplate and metal button
- Connects via analog phone lines or analog PBX extension lines
- Phone line powered: no power supply or battery backup needed
- Push button once to call, then speak hands-free
- LED indicators for hearing impaired
- Built-in auto-dialer can dial two numbers: if first number doesn't answer or is busy, dials second number
- Auto-answer allows security to monitor and initiate calls with emergency phone
- Automatically identify attendant of location of calling phone by recorded message. Digital display optional with ETP-TAL.
- Aux input and output options
- Available in a variety of languages
- Available in EMERGENCY or HELP verbiage

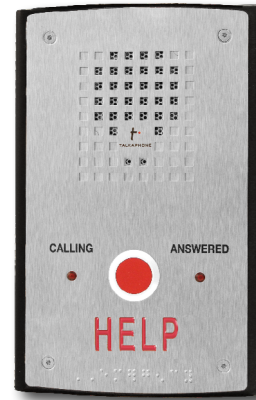
| GENERAL SPECIFICATIONS | ETP-110 Series |
|------------------------|---|
| Construction: | 0.09" (2.2mm) #4 brushed 304 stainless steel faceplate |
| Weight | 6 lbs (2.7kg) |
| Mounting: | Flush and surface mount options |
| Communication: | Two-way hands-free communication |
| Digit Capacity: | Up to 18-digits, including a single pause, for each of two phone numbers |
| Dialing Speed: | Approximately 10 tones per second |
| Power Source: | Phone line powered (requires 20mA at 24 V off-hook) |
| Aux Input/Output | To add one (1) auxiliary input and two (2) auxiliary outputs, order Model ETP-110EX |
| Connection: | Parallel tip and ring connected to RJ11 connector for quick installation |
| Programming: | Non-volatile EEPROM programming can be done from any telephone. No battery backup is needed. |
| "On Time": | Programmable from 1 to 4,270 minutes in 1-minute increments |
| Wiring Requirements: | One (1) twisted-shielded pair |
| Operating Temperature: | 32°F to +158°F (0°C to +70°C) |
| Relative Humidity: | Up to 95% non-condensing |

Mounting Options

ETP-110E and FM-110
Flush Mounting Box and
Call Station



ETP-110H and SM-110
Surface Mounting Box and
Call Station



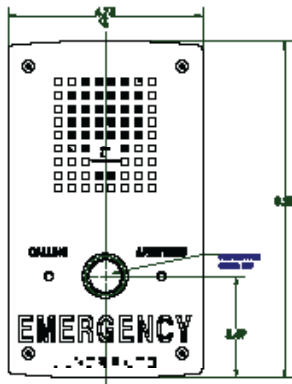
Terms of Use and Limited Warranty

This Product includes intellectual property and proprietary rights owned by Talk-A-Phone, LLC and/or its licensors. Your use of this Product confirms your agreement that Talk-A-Phone, LLC and/or its licensors retain all right, title and interest in and to all such property; that your rights are to access and use the Product for your internal business use only; that all Product elements will be maintained as confidential; and that the Product may not be rented, leased or lent to third parties, reverse engineered, decompiled or disassembled, or otherwise used for any purpose other than as an access device for your premises.

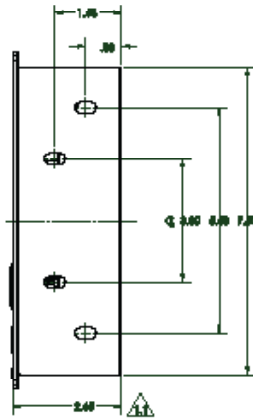
Talk-A-Phone, LLC warrants Talk-A-Phone Emergency Phone, Call Station, and Wide-Area Emergency Broadcast System equipment against any defects in material and workmanship, under normal use, for a period of twenty-four (24) months from date of installation, provided that Talk-A-Phone receives a completed "Installation Certification" certifying the date on which the system has been installed. An "Installation Certification" card is enclosed with every unit. In the event that no "Installation Certification" is received by Talk-A-Phone, the twenty-four (24) months will commence on the date of shipment by Talk-A-Phone. Warranty period for the metal elements of models in the GP Series Pedestals, MT Series Towers, MTE Series Towers, MT/R Series Towers, PM Series Pedestals, SM Series Surface Mounts, Via Series Mounts, and WM Series Wall Mounts is five (5) years, under the same terms and conditions. Warranty period for Area of Rescue Products is sixty (60) months, under the same terms and conditions. Warranty period for Intercommunication Products is twelve (12) months, under the same terms and conditions. If the Product is found by Talk-A-Phone to be defective within the warranty period, Talk-A-Phone's only obligation, and your exclusive remedy, is for the repair or replacement of any defective parts, provided that the Product is returned to us at 7530 N. Natchez Ave., Niles, IL 60714. Talk-A-Phone shall have no obligation to furnish or pay for the labor of any third parties or bear the expense of shipping defective Products for repair. In no event shall Talk-A-Phone or its licensors or suppliers be liable for any form of exemplary or punitive damages, or any special, indirect or consequential damages. TALK-A-PHONE EXPRESSLY DISCLAIMS ALL OTHER WARRANTIES, WHETHER EXPRESS, IMPLIED OR STATUTORY, INCLUDING BUT NOT LIMITED TO THE IMPLIED WARRANTIES OF MERCHANTABILITY OR FITNESS FOR A PARTICULAR PURPOSE. In no event shall Talk-A-Phone or its licensors or suppliers be liable for any form of exemplary or punitive damages, or any special, indirect or consequential damages. Your use of this Product constitutes your agreement to all of the foregoing terms.

THIS WARRANTY GIVES YOU SPECIFIC LEGAL RIGHTS AND YOU MAY ALSO HAVE OTHER RIGHTS WHICH VARY FROM STATE TO STATE. Further information is available at talkaphone.com/legal

DIMENSIONAL DRAWING

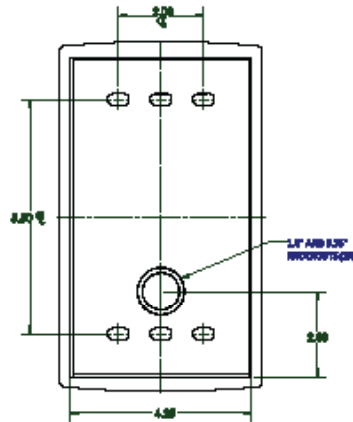


FRONT VIEW

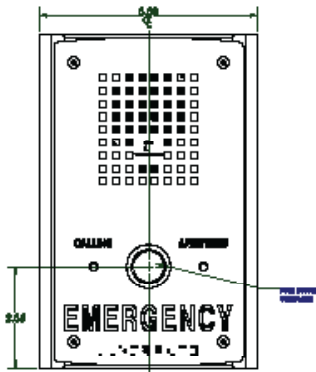


SIDE VIEW

ETP-110E and FM-110



REAR VIEW



FRONT VIEW



SIDE VIEW

ETP-110E and SM-110



TALKAPHONE

THE LEADERS IN SECURITY AND LIFE SAFETY COMMUNICATIONS

All dimensions are in inches and are provided for reference only.

Mounting Options

| | |
|--------|---|
| FM-110 | Flush Mount (includes a rough-in box) |
| SM-110 | Surface Mount (enclosure comes standard painted black; custom colors available) |