

GV-DFK1355 Keypad Reader



GV-DFK1355 is a keypad reader capable of reading PIN codes and access cards. It features a slim profile design, making it suitable for installation on a narrow door frame or in tight spaces. Thanks to its Wiegand and RS-485 interfaces, GV-DFK1355 can be connected to a variety of access control systems. With an ingress protection rating of IP66, the reader can be used in any environment.

Additionally, the GV-DFK1355 reader, which has two inputs (Exit Button and Door Sensor) and one output (Door Lock), can control a single door when combined with the GV-AS Bridge controller and the cloud-based software GV-Cloud Access Control.

Key Features

- Narrow mullion design for door frame or tight space installation
- Access control card and PIN code recognition
- Wiegand interface for third-party integration
- RS-485 interface for longer distance installation
- RS-485 / OSDP communication
- 13.56 MHz ISO14443A
- MIFARE® DESFire® card support
- GeoVision access cards with GID (GeoVision Identifier) support
- Ingress protection (IP66)
- Case sensor detection for tempering alarm
- 12-key keypad with white backlight

Specifications

Frequency	13.56 MHz ISO14443A
Wiegand Interface	Wiegand 26 / 34 bits, distance 30 m (98.43 ft)
RS-485 Interface	RS-485 / OSDP communication, 9,600 bps, distance 600 m (1968.50 ft)
Read Range	2 cm (max)
Keypad	12 keys (0-9, *, #)
Input Port	Door Sensor x 1, Exit Button x 1, Case Sensor x 1
Output Port	Relay, Door Lock x 1
LED	Green / Red Bi-color LED x 1 (Status / Power)
Color	Black
Supported ID Format	UID, GID, DES-ID
Power Source	DC 12V / 1A
Power Consumption	500 mA (max)
Operating Temperature	-20 °C ~ 70°C (-4 °F ~ 158 °F)
Operating Humidity	20~ 80% RH (non-condensing)
Dimensions (L x W x H)	130 x 45 x 25 mm / 5.1 x 1.8 x 1 in
Weight	96 g / 0.21 lb
Ingress Protection	IP66
Certification	CE, FCC, LVD, UKCA

Note:

1. RS-485 and network communications only support GeoVision controllers, while Wiegand is compatible with third-party controllers.
2. Currently only GV-AS1620 and GV-CS1320 controllers support OSDP communication.
3. The rear panel of the reader has waterproofing rubber rings. Install the reader tightly against the wall to prevent water from entering along the wall. Apply silicone sealant to the sides of the reader if it is mounted on an uneven surface.
4. The reader only supports US gang box size standards.
5. Specifications are subject to change without notice.

Compatible Products

- **GV-ASManager** (software): V5.3.3 or later
- **GV-AS210 / 2110 / 2120, GV-AS810 / 8110 / 8111, GV-AS410 / 4110 / 4111** (controller): V2.41 or later (only Wiegand interface supported)
- **GV-AS1620** (controller): V1.05 or later
- **GV-CS1320** (controller): V3.10 or later

Cloud Integration

- **GV-Cloud Access Control** (cloud-based software): V1.00 or later
- **GV-AS Bridge** (controller): V1.00 or later

Options

Optional devices or accessories can expand the capabilities and versatilities of your GV-Reader. Consult our sales representative for more information.

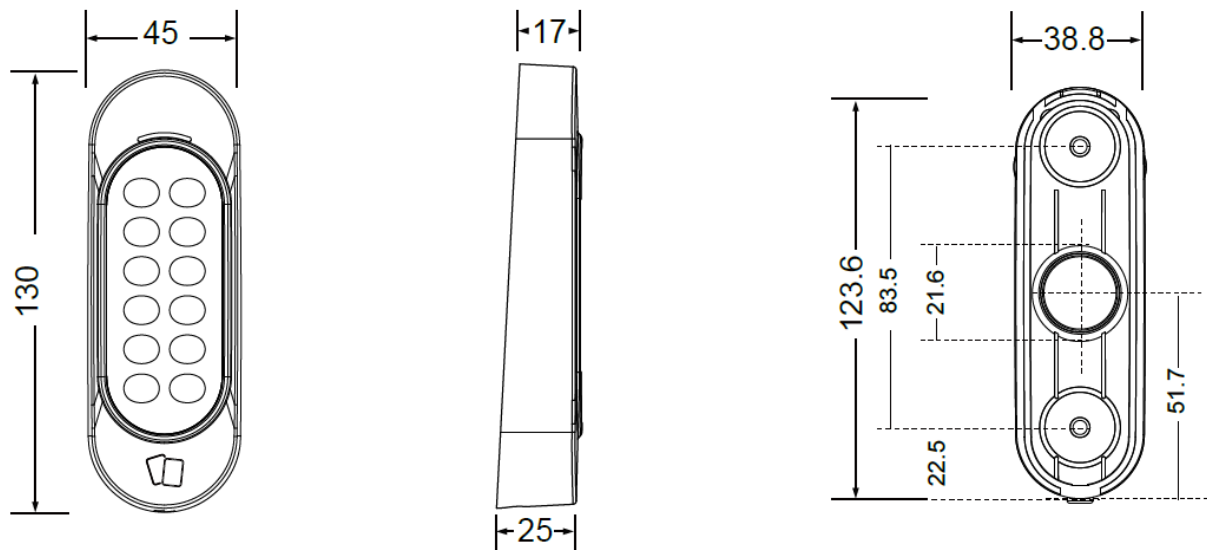
GV-Access Card, Key Fob, Sticker

13.56 MHz cards, key fobs, stickers, and MIFARE® DESFire® cards are available.

Packing List

1. GV-DFK1355
2. Cable
3. Hex Key Wrench
4. Screw x 3
5. Quick Start Guide

Dimensions



Scale:mm