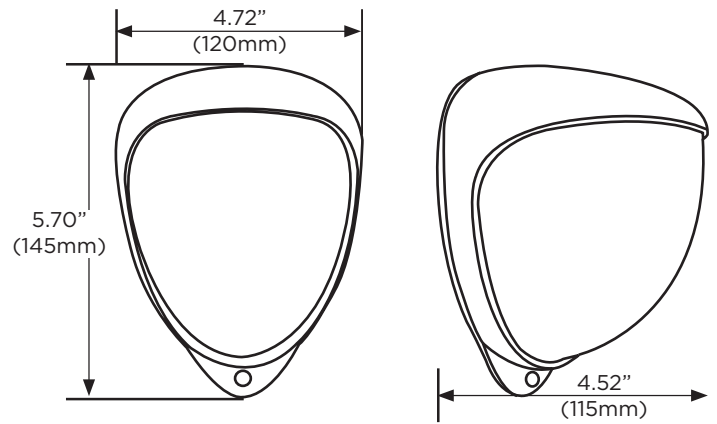




Dimensions

unit: Inch (mm)



Summary

The DW-DTMWIPW is a quad-element passive infra-red (PIR), dual-tech external movement detector that combines advanced signal processing and unique optical systems. The detector's quad PIR sensing module is equipped with two (2) volt-free outputs with a programmable beam range of up to 98.5ft (30m), avoiding boundary overspill and making it particularly effective for perimeter detection. Using PoE and IP communication, the DW-DTMWIPW supports direct integration with DW Spectrum® IPVMS, all major* VMS and camera systems on the market.

Features

- External movement detector
- PIR and microwave detection technologies
- Two (2) volt-free outputs
- Programmable beam-range of up to 98.5ft (30m)
- Exceptional resistance to false alarms
- Advanced signal processing, quad-pyro and optical systems
- Trigger lights and smart devices when movement is detected.
- 10° - 70° detection angle
- Direct integration with DW Spectrum® IPVMS
- Intruder notifications
- Set up lux-level events to operate blinds and curtains
- Environmental temperature monitoring to help manage internal air conditioning and heating
- Web interface built-in
- PoE class 1 and DC48V
- IP65 environmental-rated dust-tight and water-protected

Specifications

DETECTION RANGE	Up to 98.5ft (30m) programmable
COVERAGE	10° - 70° detection angle, 98.5ft x 98.5ft (30m x 30m) max.
WALK TEST	Output test mode with LED indication
OPERATING TEMPERATURE	-4°F to 131°F (-20°C to +55°C) conformally coated electronics for increased stability.
ADJUSTMENT	180° pan + 90° tilt
MOUNTING HEIGHT	Optimum 3m (9.8ft)
INDICATOR LEDs	1 x blue LED on alarm 1 x red PIR detection 1 x green microwave detection
OUTPUTS	Two N/C volt free relay contacts. Web interface set up required.
POWER INPUT	Power over Ethernet (48VDC)
POWER CONSUMPTION	Max 3.8W, PoE class 1
ETHERNET STANDARD	Ethernet IEEE 802.3af, TCP/IP
REMOTE ACCESS	Web browser user interface. No software or installation needed.
MICROWAVE FREQUENCY	10.525GHz
WARRANTY	2 year warranty

Accessories (optional)



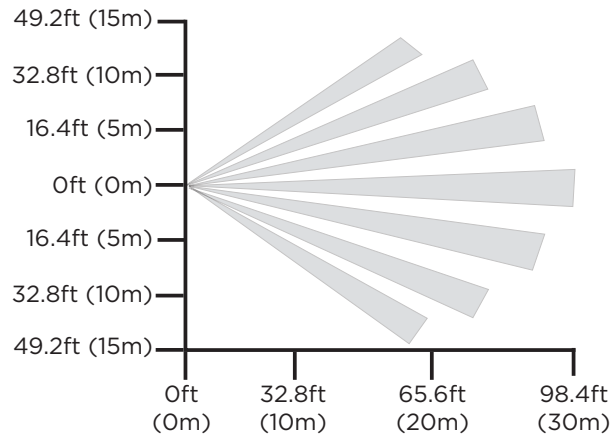
DW-DTCAW
Conduit adaptor



DW-DTPM
Pole mount bracket

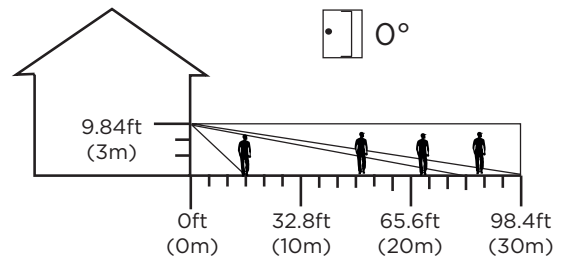
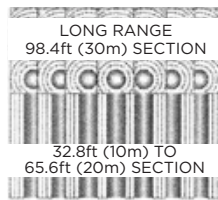


DW-DTWT
Walk tester

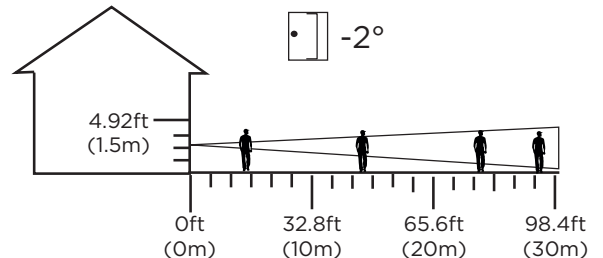


**BEAM PATTERN SET TO
MAXIMUM RANGE**

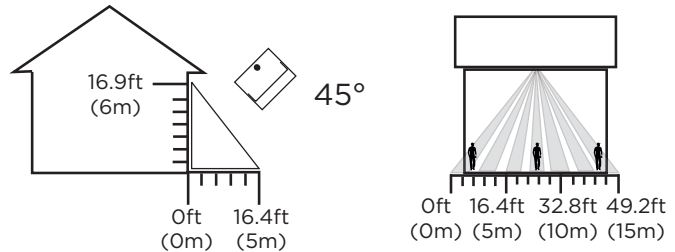
MULTI-BEAM OPTIMUM
HEIGHT 9.84FT (3M)
RANGE MAXIMUM
MODULE TILT 0°



PET IMMUNITY
HEIGHT 4.92FT (1.5M)
RANGE MAXIMUM
MODULE TILT -2°



CURTAIN COVERAGE
HEIGHT 16.9FT (6M)
RANGE MAXIMUM
MODULE TILT 45°



Increase sales and profitability. Sign up and become a DW Channel Partner today!

