

GEC/GES/GEH Series

Fixed Candela Evacuation Signals

24 VDC, Commander2 Horn, Strobe and Horn/Strobe

24 units per carton, 28 pounds per carton

Applications

The Commander2 Series is a low profile strobe, horn and horn/strobe combination that offers dependable audible and audible/visual alarms and the absolute lowest current available.

The GE Series is available in fixed candela options of 15/75 and 177. The Commander2 Series horn offers a continuous or synchable temporal 3 in 2400Hz and mechanical and, chime as well as a whoop tone. All tones are easy for the professional to change in the field by using switches.

The Commander2 Series is shipped with the standard 4" mounting plate which incorporates the popular Super-Slide® feature that allows the installer to easily test for supervision. The product also features a locking mechanism which secures the product to the bracket without any screws showing. The Commander2 Series also features the patented Checkmate® Instant Voltage Verification feature which allows the installer to check the voltage drop draw and match it to the blueprint.

The GE Series appliances are ANSI/UL 464, ANSI/UL 1971, ANSI/UL 1638, CAN/ULC S525 (24 VDC only) and/or CAN/ULC S526 (24 VDC only), listed for use with fire protective systems and are warranted for three years from date of purchase.

Standard Features

- Nominal voltage 24 VDC for horn, strobe and horn/strobe
- Nominal voltage 12 VDC for horn
- Fixed candela models of 15/75 and 177
- Unit Dimensions: 5" (12.7 cm) high x 4.5" (11.43 cm) wide x 2.5" (6.35 cm) deep
- Super-Slide® Bracket, Ease of Supervision Testing
- Checkmate® Instant Voltage Verification
- Prewire entire system, install mounting bracket, then install signals
- Documented lower installation and operating costs
- Input terminals 12 to 18 AWG
- Switch selection for high or low dBA
- Switch for 2400 Hz, mechanical, chime and tones
- Switch for continuous or temporal 3 (not available on whoop tone)
- Synchronize strobe and/or horn with Gentex AVSM Control Module
- Silence audible while visual appliance will remain flashing
- Tamperproof re-entrant style grill and locking screw (optional use)
- Surface mount with the GSB (Gentex Surface Mount Box)
- Faceplate available in red or off-white
- Wall mount



Product Listings

SIGNALING



- ANSI/UL 464, ANSI/UL 1971 and/or ANSI/UL 1638 Listed
- CAN/ULC S525 and/or CAN/ULC S526 Listed (24 VDC only)
- CSFM: 7135-0569:122 (GEH-24 & GEC-24)
7125-0569:123 (GES-24)
7135-0569:130 (GEH-12)
- MEA: 285-91-E-XV

Patents

- 7,375,617 May 20, 2008

Product Compliance

- NFPA 72
- Americans with Disabilities Act (ADA)
- IBC/IFC/IRC
- City & State Ordinances/Laws/Regulations
- Quality Management System is certified to: ISO 9001:2008

GEH 12 VDC or GEH 24 VDC Low Profile Evacuation Horn

Model	Part Number	Voltage (VDC)	Reverberant dBA at 10ft.	Anechoic Room dBA at 10ft.
GEH12-R	904-1239-002	12	70-82 dBA	100 dBA
GEH12-W	904-1241-002	12	70-82 dBA	100 dBA
GEH24-R	904-1205-002	24	70-82 dBA	100 dBA
GEH24-W	904-1207-002	24	70-82 dBA	100 dBA

GES 24 VDC Low Profile Evacuation Strobe

Model	Part Number	Voltage (VDC)	Strobe Candela
GES24-177WR	904-1183-002	24	177
GES24-177WW	904-1203-002	24	177
GES24-15/75WR	904-1167-002	24	15 (ANSI/UL 1971) / 75 (ANSI/UL 1638)
GES24-15/75WW	904-1187-002	24	15 (ANSI/UL 1971) / 75 (ANSI/UL 1638)

*R = Red Faceplate, W = White Faceplate
All units are available in plain (no lettering)
Plain units are not returnable
ALERT and AGENT bezels available for order*

GEC 24 VDC Fixed Candela, Low Profile Evacuation Horn/Strobe

Model	Part Number	Voltage (VDC)	Strobe Candela	Reverberant dBA at 10ft.	Anechoic Room dBA at 10ft.
GEC24-177WR	904-1143-002	24	177	70-82	100
GEC24-177WW	904-1163-002	24	177	70-82	100
GEC24-15/75WR	904-1127-002	24	15 (ANSI/UL 1971) / 75 (ANSI/UL1638)	70-82	100
GEC24-15/75WW	904-1147-002	24	15 (ANSI/UL 1971) / 75 (ANSI/UL 1638)	70-82	100

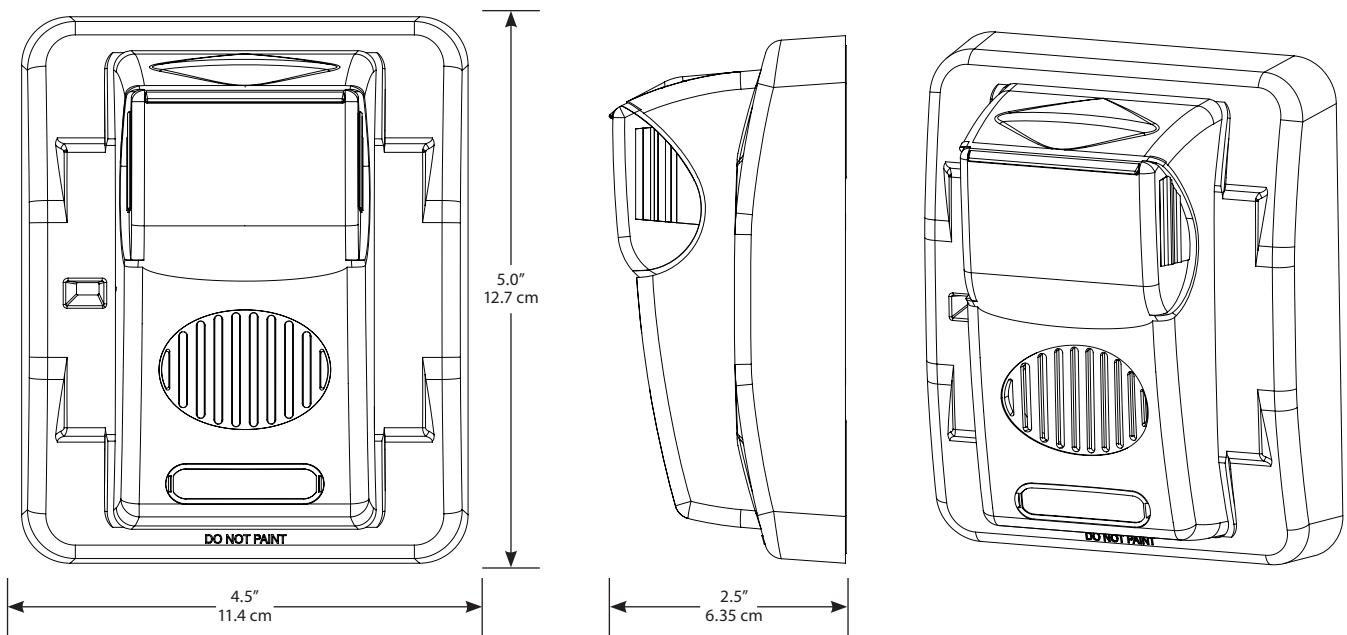
GE 24 Strobe Current Ratings (mA)

Candela	UL Max
15/75 cd	67 mA
177 cd	213 mA

GE 12 VDC / 24 VDC Horn Decibel (dBA) and Current Ratings (mA)

Horn Mode	12 VDC (8-17.5 Volts)			24 VDC (16-33 Volts)		
	Horn Decibel Levels (dBA)		Horn Current Ratings (mA)	Horn Decibel Levels (dBA)		Horn Current Ratings (mA)
	Minimum SPL at 10ft., per ANSI/UL 464 (HIGH)	Minimum SPL at 10ft., per ANSI/UL 464 (LOW)	UL MAX Regulated 12 VDC Operating Current (HIGH)	Minimum SPL at 10ft., per ANSI/UL 464 (HIGH)	Minimum SPL at 10ft., per ANSI/UL 464 (LOW)	UL MAX Regulated 24 VDC Operating Current (HIGH)
Temporal 3 2400 Hz	76 dBA	69 dBA*	29 mA	78 dBA	71 dBA*	28 mA
Temporal 3 Mechanical	75 dBA	68 dBA*	26 mA	76 dBA	70 dBA*	25 mA
Temporal 3 Chime	62 dBA*	60 dBA*	13 mA	70 dBA*	66 dBA*	15 mA
Continuous 2400 Hz	79 dBA	74 dBA*	29 mA	81 dBA	74 dBA*	28 mA
Continuous Mechanical	78 dBA	72 dBA*	26 mA	80 dBA	72 dBA*	25 mA
Continuous Chime	63 dBA*	61 dBA*	13 mA	70 dBA*	66 dBA*	15 mA
Whoop	78 dBA	71 dBA*	55 MA	82 dBA	69 dBA*	56 mA

* Operating the horn in this mode at this voltage will result in not meeting the minimum ANSI/UL 464 reverberant sound level required for public mode fire protection service. These settings are acceptable only for private mode fire alarm use. Use the high dBA setting for public mode application (not applicable when using the chime tone. The chime tone is always private mode).



Gentex Super-Slide® Mounting Bracket

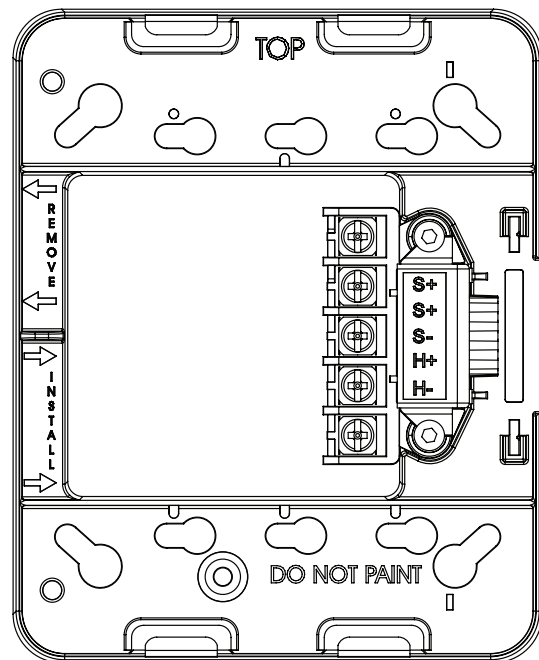
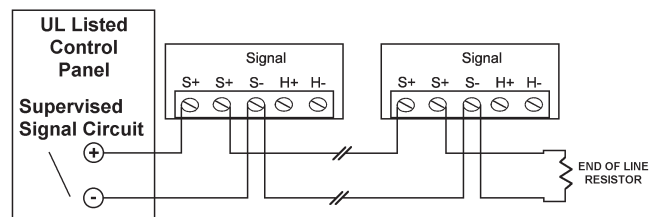
Allows the installer to prewire the system, test for system supervision, remove the signal head until occupancy, switch out Gentex signals without changing mounting brackets and has locking edge connector for snap-in-place installation.

Gentex Checkmate® Instant Voltage Verification

It is often necessary to confirm the voltage drop along a line of devices. The access holes are provided in the back of the terminal block to allow the voltage to be measured directly without removing the device. Typically this would be done at the end of the line to confirm design criteria. Most measurements will be taken using the S+ and S- locations although access is provided to other locations. *Notice: Care should be taken to not short the test probes.*

Notes

- Operating temperature: 32° to 120°F (0° to 49°C)
- The GE Series is not listed for outdoor use
- For nominal and peak current across ANSI/UL regulated voltage range for filtered DC power and unfiltered (FWR [Full Wave Rectified]) power, see installation manual. 12 VDC models are DC only.
- The sound output for the temporal 3 tone is rated lower since the time the horn is off is averaged into the sound output rating. While the horn is producing a tone in the temporal 3 mode, its sound pressure is the same as the continuous mode.
- This appliance is not recommended for use on coded or pulsing signaling circuits



GEC/GES/GEH Series

Fixed Candela Evacuation Signals

Architect & Engineering Specifications

The audible and/or visible signal shall be Gentex GES, GEC, GEH Series or approved equal and shall be listed by Underwriters Laboratories (ANSI/UL) for use with fire protective signaling systems (ANSI/UL 1971, ANSI/UL 1638 and/or ANSI/UL 464) and with CAN/ULC S526 (24 VDC) and CAN/ULC S525 (24 VDC) with intended use in fire alarm systems. The notification appliance (GEC and GEH) shall produce a peak sound output of 100 dBA or greater at 12 VDC or 24 VDC as measured in an anechoic chamber and shall also have the capability to silence the audible signal while leaving the visible signal energized with the use of a single pair of power wires. Additionally, the user shall be able to select either continuous or temporal tone output with the temporal signal having the ability to be synchronized. The audible/visible and visible signaling appliance shall also maintain a minimum flash rate of 1 Hz or up to 2 Hz regardless of power input voltage. The strobe appliance shall have an operating current of 67 mA or less at 24 VDC for the 15/75 Cd for the strobe circuit. The appliance shall be polarized to allow for electrical supervision of the system wiring. The unit shall be provided with a mounting bracket with terminals with barriers for input/output wiring and be able to mount to a single gang or double gang box or double workbox without the use of an adapter plate. The GEC and GES Series shall be mounted on the wall. The GEH Series shall be universal mount. The unit shall have an input voltage range of 16-33 volts with either direct current or full wave rectified power at 24 VDC and 8-17.5 volts with at 12 VDC. The appliance shall be capable of test supervision without disconnecting wires, verify voltage without removing unit and be capable of mounting to a surface back box.