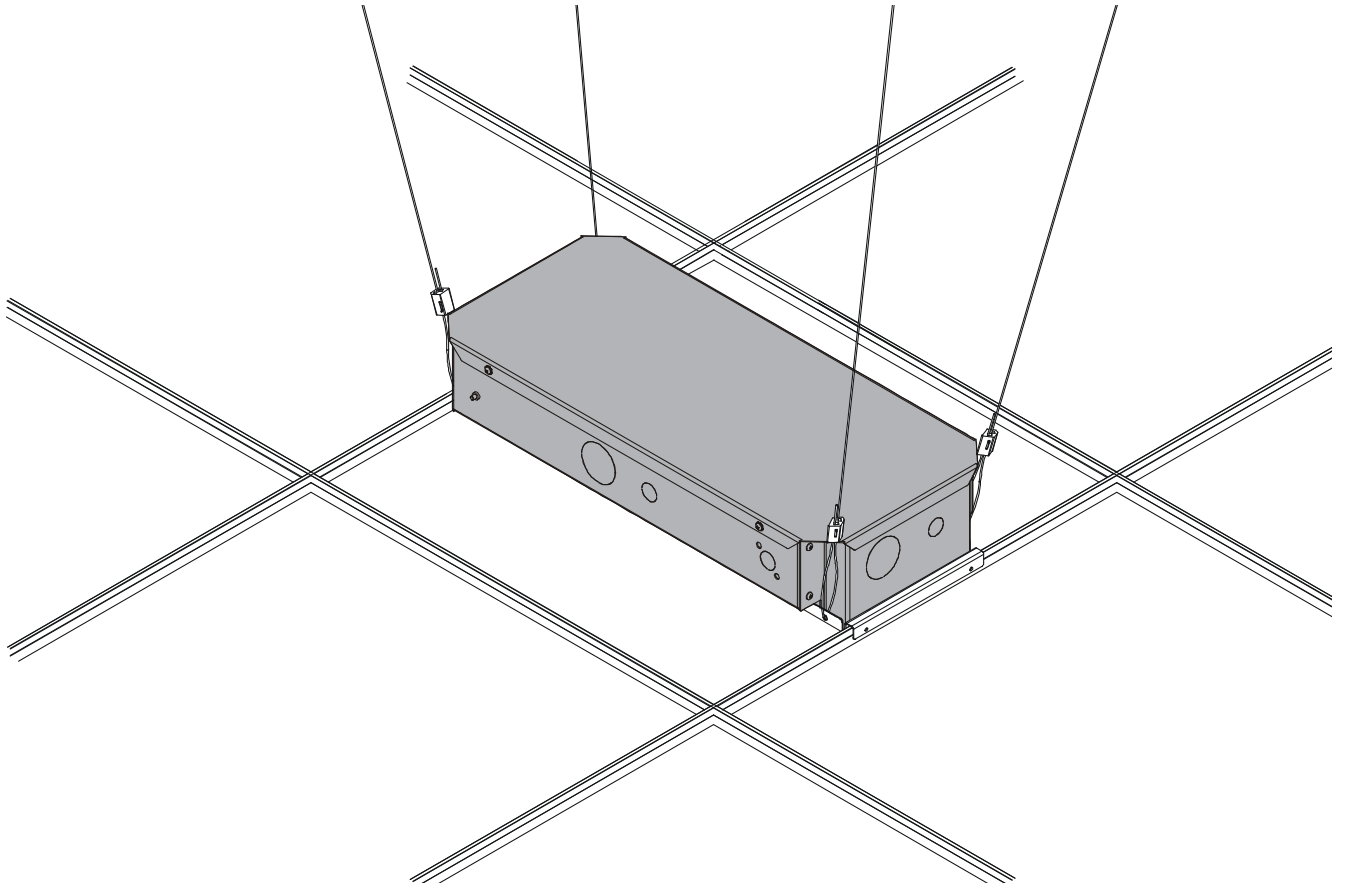

INSTALLATION INSTRUCTIONS




Above-Tile Suspended Ceiling Storage Kit


DISCLAIMER


Milestone AV Technologies, and its affiliated corporations and subsidiaries (collectively, "Milestone"), intend to make this manual accurate and complete. However, Milestone makes no claim that the information contained herein covers all details, conditions or variations, nor does it provide for every possible contingency in connection with the installation or use of this product. The information contained in this document is subject to change without notice or obligation of any kind. Milestone makes no representation of warranty, expressed or implied, regarding the information contained herein. Milestone assumes no responsibility for accuracy, completeness or sufficiency of the information contained in this document.


Chief® is a registered trademark of Milestone AV Technologies. All rights reserved.


IMPORTANT SAFETY INSTRUCTIONS!


 **WARNING:** A WARNING alerts you to the possibility of serious injury or death if you do not follow the instructions.

 **CAUTION:** A CAUTION alerts you to the possibility of damage or destruction of equipment if you do not follow the corresponding instructions.

 **WARNING:** Failure to read, thoroughly understand, and follow all instructions can result in serious personal injury, damage to equipment, or voiding of factory warranty! It is the installer's responsibility to make sure all components are properly assembled and installed using the instructions provided.

 **WARNING:** Use this mounting system only for its intended use as described in these instructions. Do not use attachments not recommended by the manufacturer.

 **WARNING:** Never operate this mounting system if it is damaged. Return the mounting system to a service center for examination and repair.

 **WARNING:** Do not use this product outdoors.

IMPORTANT ! : The CMA473 is compatible only with the CMA440 and CMS440 ceiling mounts. Do NOT attempt to install the CMA473 to any other mounting system!

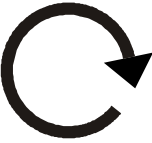
IMPORTANT ! : The CMA473 is not intended to support any weight. The total weight of the components within the CMA473 plus the weight attached to the CMA440 or CMS440 CANNOT exceed the weight limit of the CMA440 or CMS440. Weight capacity of CMA440 and CMS440 is 50 lbs (22.67 kg).


NOTES:


- **SUITABLE FOR USE IN OTHER ENVIRONMENTAL AIR SPACE IN ACCORDANCE WITH SECTION 300.22, (C) OF THE NATIONAL ELECTRICAL CODE.**
- The maximum specified ambient temperature of the cabinet system is 40° - 120°F (4° - 49°C).
- Minimum spacings between the accessories and components and the housing for Information Technology Communication Equipment shall be maintained for safe operation of the equipment when installed in accordance with the National Electric Code, ANSI/NFPA 70-1999. Refer to communication equipment manufacturer's specifications for minimum spacings.
- This Cabinet System is for use with Listed ITE or Audio/Video equipment only.

--SAVE THESE INSTRUCTIONS--

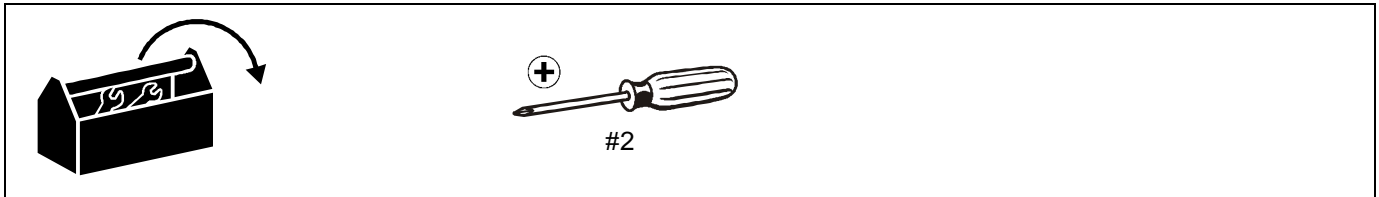
LEGEND

	Tighten Fastener
	Apretar elemento de fijación
	Befestigungsteil festziehen
	Apertar fixador
	Serrare il fissaggio
	Bevestiging vastdraaien
Serrez les fixations	

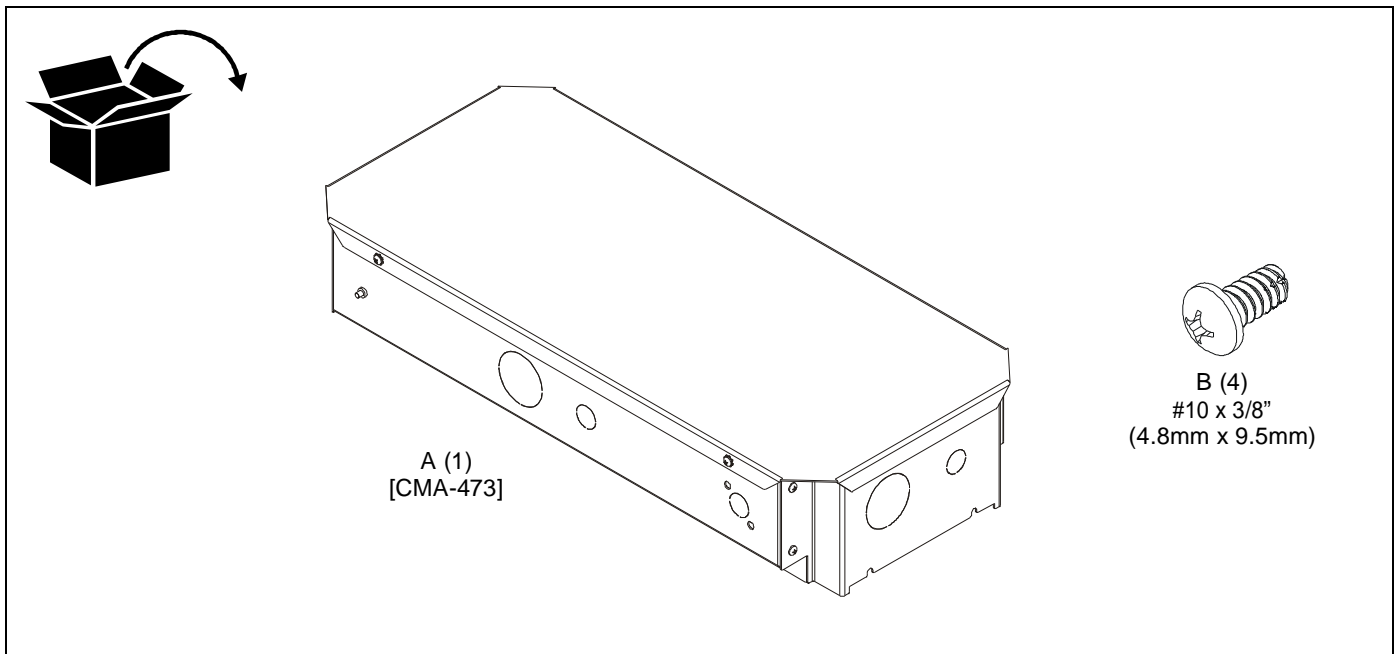
	Phillips Screwdriver
	Destornillador Phillips
	Kreuzschlitzschraubendreher
	Chave de fendas Phillips
	Cacciavite a stella
	Kruiskopschroevendraaier
Tournevis à pointe cruciforme	

	Loosen Fastener
	Aflojar elemento de fijación
	Befestigungsteil lösen
	Desapertar fixador
	Allentare il fissaggio
	Bevestiging losdraaien
Desserrez les fixations	

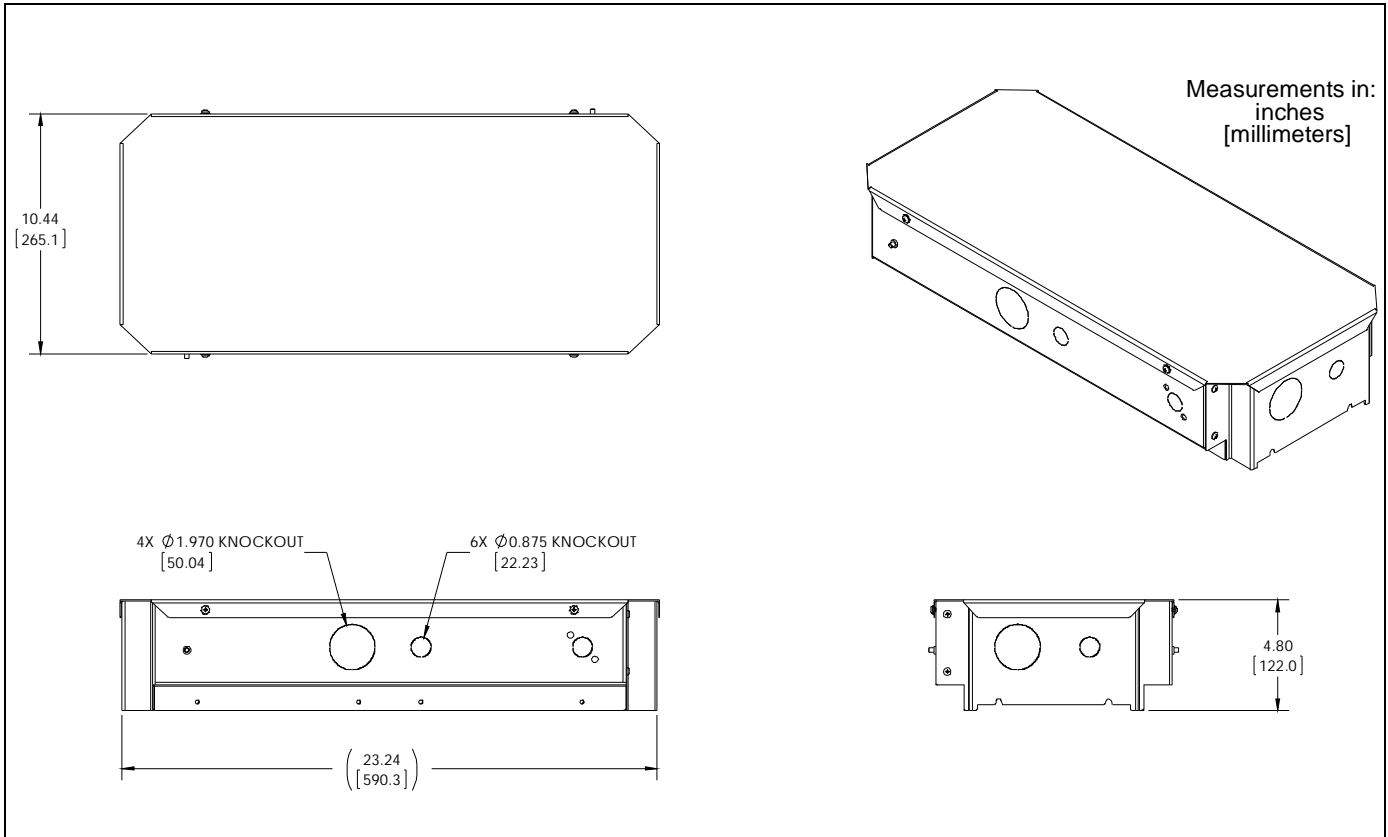
TOOLS REQUIRED FOR INSTALLATION



PARTS



DIMENSIONS



INSTALLATION



WARNING: IMPROPER INSTALLATION CAN LEAD TO MOUNT FALLING CAUSING SEVERE PERSONAL INJURY OR DAMAGE TO EQUIPMENT! The equipment must be assembled and installed by qualified service personnel.

IMPORTANT ! : The CMA473 is compatible only with the CMA440 and CMS440 ceiling mounts. Do NOT attempt to install the CMA473 to any other mounting system!

1. Install CMA-440 or CMS-440 (accessory not included). See installation instructions included with the accessory.
2. Install box (A) with four #10 X 3/8" Phillips tapping screws (B) (See Figure 1). Tighten securely.

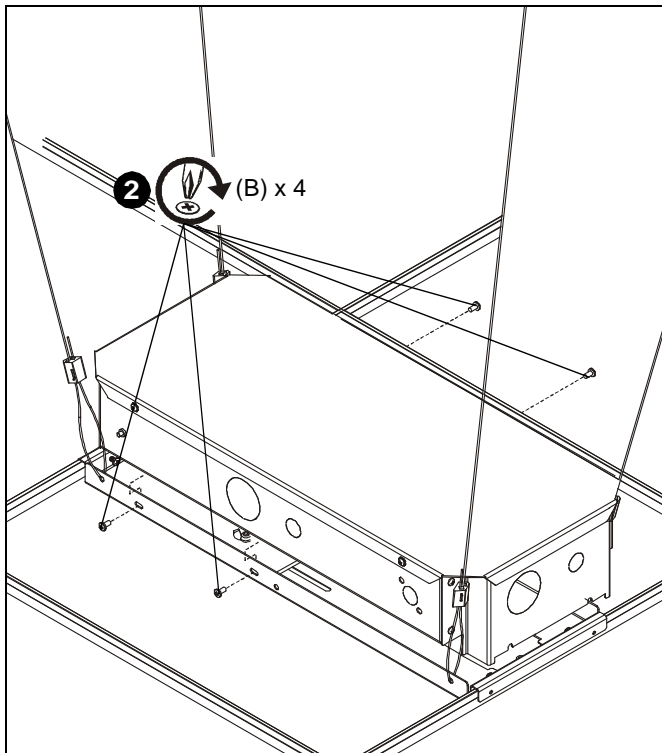


Figure 1

NOTE: Box shown installed to CMS-440. CMA accessories similar.

3. Connect ground wire (not included) to grounding screws, if necessary. (See Figure 2)

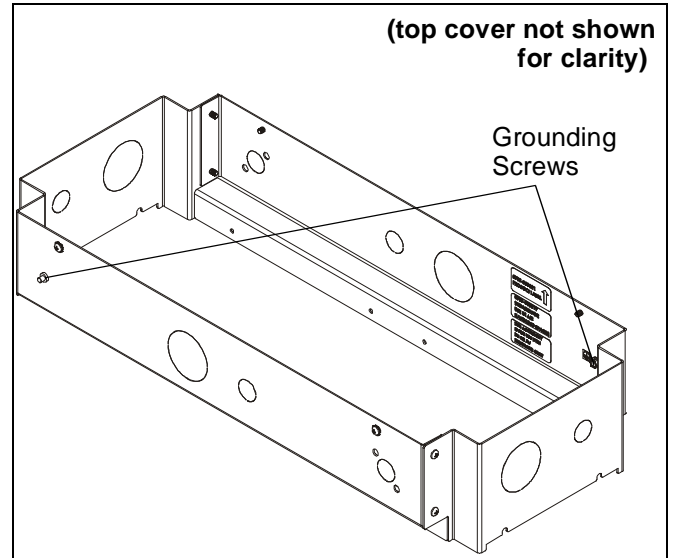


Figure 2

NOTE: Knockouts are provided for ease of installation. All open knockouts need to be plugged, using 1/2" and 1 1/2" one-piece UL rated metal knockout seals which may be purchased at a hardware store.

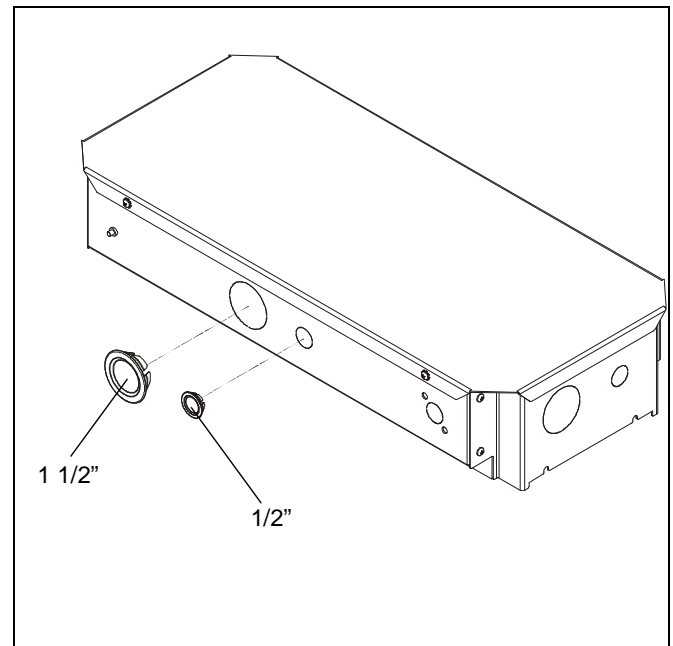


Figure 3

Cover Removal (Optional)

NOTE: Top cover may be removed during installation process if desired. However, it must be reinstalled before installation is complete!

1. Remove four screws holding top cover to CMA473 box (A). (See Figure 4)
2. Lift top cover up from CMA473 box (A). (See Figure 4)

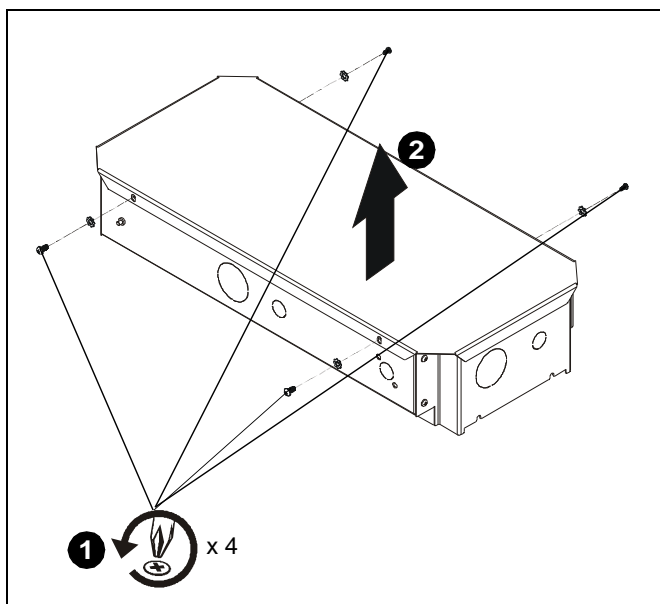


Figure 4



Our Mounts. **Your Vision.**

Chief Manufacturing, a products division
of Milestone AV Technologies

8800-002486 Rev00
©2013 Milestone AV Technologies, a
Duchossois Group Company
www.chiefmfg.com
11/13

USA/International	A 6436 City West Parkway, Eden Prairie, MN 55344
	P 800.582.6480 / 952.225.6000
	F 877.894.6918 / 952.894.6918
Europe	A Franklinstraat 14, 6003 DK Weert, Netherlands
	P +31 (0) 495 580 852
	F +31 (0) 495 580 845
Asia Pacific	A Office No. 1 on 12/F, Shatin Galleria 18-24 Shan Mei Street Fotan, Shatin, Hong Kong
	P 852 2145 4099
	F 852 2145 4477

