

Datasheet

ACCESSORIES/ C2P & C3P - Pinned Transfer Hinge

Product description

Two models of power transfer hinges, to provide discreet transfer of power/signalling between a door and the frame.

The C2P provides 2 contacts and the C3P 3 contacts. Each contact is spring loaded to ensure a "connection" is achieved each time the contacts close.

The contacts operate up to 1.5A (resistive & inductive load) at 12V, and are ideal for use on swing or sliding doors to provide power/control for electric locks, solenoids etc.



Key features

- Ease of transferring power from hinge to door
- 2-pin (C2P) and 3-pin (C3P) versions
- Up to 1.5A at 12V
- Spring loaded contacts
- Internal use only

 *Certification*

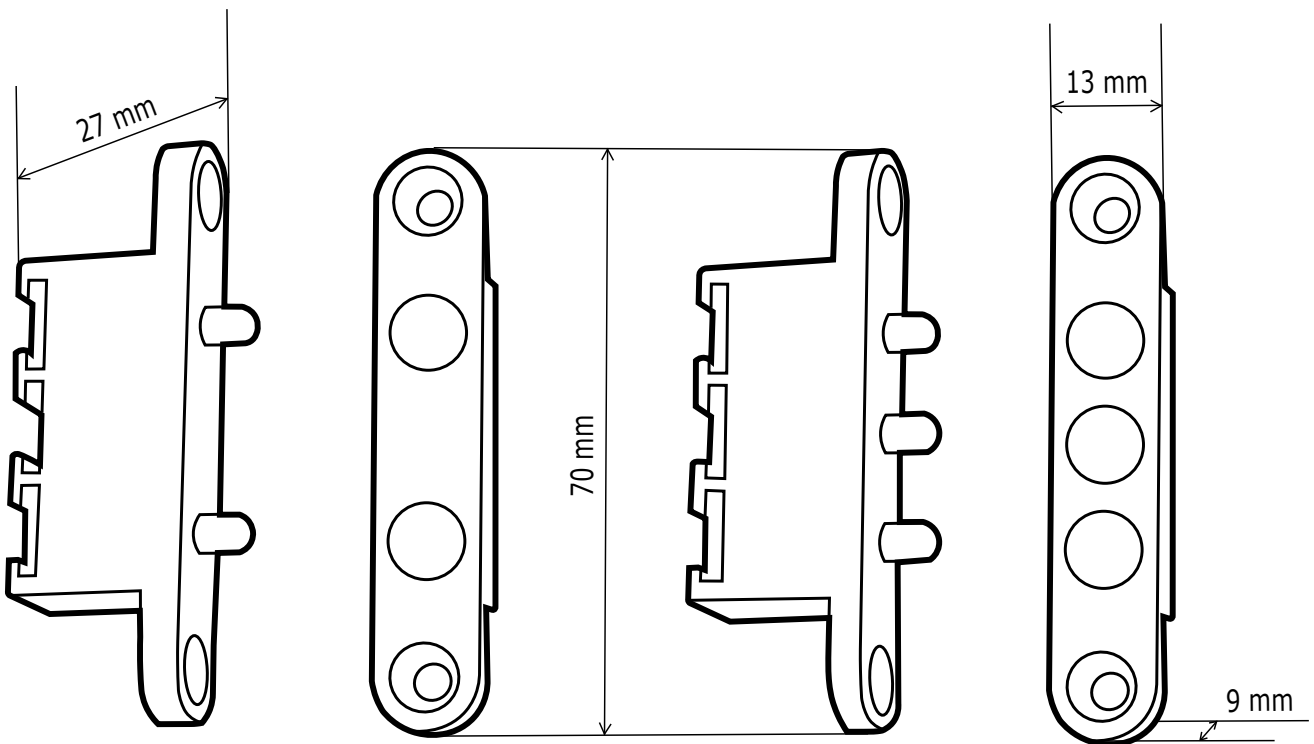
 *DEEE*

RoHS *Certification*

Electrical Specifications

Voltage: 12V

Current: 1.5A



All the information contained within this document (pictures, drawing, features, dimensions, specifications), could be perceptibly different and can be changed without prior notice. - April 2020 - CDVI_C2P/C3P_DS_01_EN_A4_C