



CV-WR Series Wiegand Receiver & Fobs

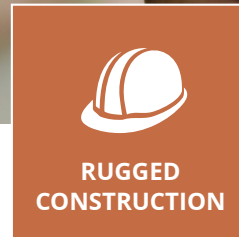


Camden's Wiegand receivers are designed to interface with existing access control systems for both long and short access applications.

Pressing one of the buttons, users can control a barrier gate or overhead door up to 300 ft. (100m) away. The same transmitter can be presented in front of a card reader and operate as a conventional access credential.

Identical 26-bit Wiegand ID numbers will be sent for either fob transmitters and for the enclosed credential for a card reader, to minimize user ID numbers in the access control database.

One unique ID number per device per user simplifies the adding and deleting of credentials for property managers.



CV-WRX4 Receiver

- 4 channel receiver facilitates in/out control
- Compatible to all access control panels, 26 bit Wiegand
- Field selectable facility codes, 1 to 255
- Weather and vandal resistant enclosure

CV-WTX2 Two Button Fob

- Ultra compact
- 2 year battery life and low battery indication
- Up to 300 ft. (100m) range

CV-WTX2-H26 Two Button Fob

- Ultra compact, dual technology design enables both presentation and long range transmission with identical ID numbers
- HID® 125 KHz. proximity protocol
- 2 year battery life and low battery indication
- Up to 300 ft. (100m) range

CV-WTX2H-H26SE Two Button Fob & CV-WTX4H-H26SE Four Button Fob

- Dual Technology - HID® iClass SE® 13.56 MHz. to prevent cloning
- Laser etched ID numbers
- 300 ft. (100m) range
- LED indicator for low battery and signal transmission
- Durable, weather resistant case with metal key ring

All transmitters use a 868Mhz. high security rolling code, with 19 trillion possible combinations.






SPECIFICATIONS

INPUT VOLTAGE:	CV-WRX4: 12 VDC All Transmitters: 3 VDC, CR2032 Type
CURRENT:	CV-WRX4: 14 mA typical / 36 mA peak All Transmitters: 12mA
OPERATING TEMPERATURE:	CV-WRX4: -4°F to 185°F (-20°C to 85°C) All Transmitters: -4°F to 131°F (-20°C to 55°C)
FREQUENCY:	868.35 Mhz.
IP RATING:	CV-WRX4: IP54 (IP65 with cable plug installed)

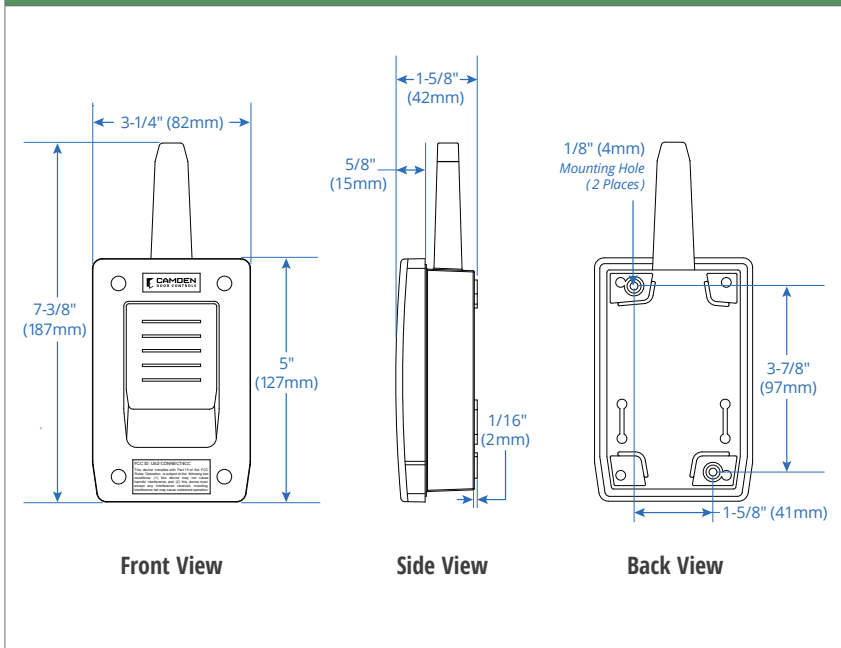
DIMENSIONS:	CV-WRX4: 3-1/4"W x 7-3/8"H x 1-5/8"D (82mm x 187mm x 42mm)
	CV-WTX2: 1-3/16"W x 2-1/8"H x 3/8"D (30mm x 54mm x 10mm)
	CV-WTX2-H26: 1-3/16"W x 2-1/8"H x 3/8"D (30mm x 54mm x 10mm)
	CV-WTX2H-H26SE: 1-1/2"W x 2-1/2"H x 1/2"D (36mm x 68mm x 14mm)
	CV-WTX4H-H26SE: 1-1/2"W x 2-1/2"H x 1/2"D (36mm x 68mm x 14mm)

ORDERING INFORMATION

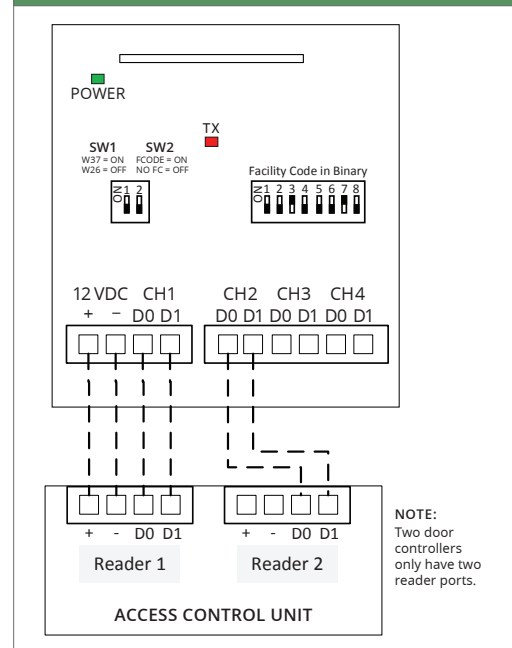
 CV-WRX4 Four Channel Wiegand Receiver	 CV-WTX2-H26 Two Channel Wiegand Key Fob + HID® Prox	 CV-WTX2H-H26SE Two Channel Wiegand Key Fob + HID® iCLASS SE®	 CV-WTX4H-H26SE Four Channel Wiegand Key Fob + HID® iCLASS SE®	
	CV-WTX2-H26-B Two Channel Wiegand Key Fobs + HID® Prox Package of 10		CV-WTX2H-H26SE-B Two Channel Wiegand Key Fobs + HID® iCLASS SE® Package of 10	

Contact Camden for AWID proximity versions.

CV-WRX4 DIMENSIONS



TYPICAL VEHICLE ACCESS



Opening New Doors to Innovation, Quality, and Support!

2395 Skymark Ave, Mississauga, ON Canada L4W 4Y6 • Toll Free: 1(877) 226-3369 (CAMDEN9)
 Tel: (905) 366-3377 | Fax: (905) 366-3378 | E-mail: info@camdencontrols.com | www.camdencontrols.com



Part #: MKTG-LIT-SP-CV-WR_R3