



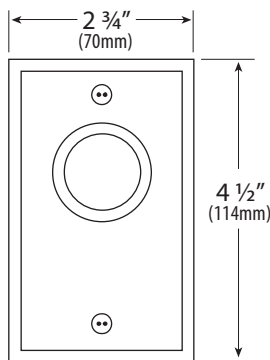
## CM-8000/8100 SERIES EXIT SWITCHES (EXTENDED BUTTON)

### FEATURES

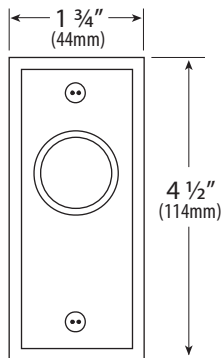
- LOW PROFILE DESIGN
- PROTRUDES LESS THAN 1" FROM WALL
- BUTTON EXTENDS 1/4" FROM PROTECTIVE METAL HOUSING
- EASY TO ACTIVATE
- GOOD PROTECTION AGAINST DAMAGE AND ABUSE
- 1" DIAMETER, RED OR GREEN BUTTONS
- MOUNTED ON HEAVY 1/4" THICK ALUMINUM PLATE
- SINGLE GANG & 1 3/4" WIDTH PLATES AVAILABLE
- INDOOR OR OUTDOOR APPLICATIONS
- DOOR FRAME, WALL & PEDESTAL MOUNTING
- SPRING RETURN OPERATION
- VANDAL AND TAMPER RESISTANT
- TAMPERPROOF SCREWS PROVIDED
- STACKABLE CONTACTS CAN CONTROL 6 DISTINCT FUNCTIONS
- PNEUMATIC 1-60 SECOND TIMER OPTION
- UL/CSA APPROVED SWITCHES RATED 6 AMPS @ 30V DC
- COLOR CODED 18 AWG SPADE CONNECTIONS
- BRUSHED ALUMINUM FINISH
- CUSTOM ENGRAVING AND FINISHES AVAILABLE
- FAST & EASY TO INSTALL



CM-8000



CM-8000



CM-8100

### DESCRIPTION

Camden Door Controls 8000/8100 Series low profile exit switches are vandal resistant; designed and manufactured to meet the stringent demands of exit controls. They are supplied with a 1/4" thick heavy duty brushed aluminum plate, in 1 3/4" or 2 3/4" widths. Optional duranodic (US 40) finish is also available.

CM-8000 Series Extended Buttons are inobtrusive, yet easy to activate. The button extends from the metal housing, to provide visibility and to allow for quick and easy activation. The low profile design protrudes less than 1" from the wall.

The switches are UL/CSA approved, rated at 10 amps. The design of the Camden Exit Button is modular, so contacts can be stacked to control up to six distinct functions simultaneously. Optional 1-60 second pneumatic timer can be added instead of contact blocks. Timer features 6 amp DPST (N/O and N/C) contacts. Camden Switches provide an economical, practical, attractive method to control electrical devices.

### APPLICATION

Camden Exit Switches are ideal for high traffic areas, such as store and building front entrances, and exits. They can be surface, flush, or mullion (narrow) mounted. Easily visible, they are available with single gang (2 3/4"), or narrow (1 3/4") mounting plates.

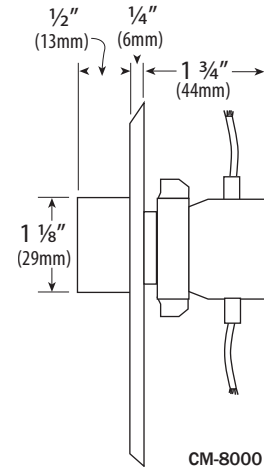
Camden Exit Switches are designed to control overhead doors, electric locks, electro-magnetic locks, electric strikes, automatic doors, and handicap operators. They may also be used for motor control, shunting, by passing alarms, request to exit, timed functions, and many other applications. The switches are made for high frequency usage, in an indoor or outdoor environment. Camden Exit Switches are versatile, and are supplied in various configurations to suit commercial, industrial and residential applications.

## ARCHITECTS/ENGINEERS SPECIFICATIONS

The Exit switch(es) to be used throughout the site or complex shall be Camden Door Controls, CM-8000/8100 series Exit switches. The assembly shall be tamper and vandal resistant. The faceplate shall be made of 1/4" thick aluminum, and supplied with stainless steel Torx or snake eye-security screws. All buttons must be encased in a protective metal housing. All symbols, letters, and/or markings shall be permanently engraved into the button.

The CM-8000 series shall be used in applications requiring an inobtrusive, easy to activate exit switch. The button shall extend 1/4" from the protective metal housing, and protrude no more than 1" from the wall. Rating for all electrical contacts shall be a minimum of 6 amps @ 30 VDC. The switch used shall be a UL/CSA approved type, supplied with color coded spade leads.

The switch assembly shall be modular, allowing for up to six distinctive functions upon activation of the push button.



CM-8000

## ORDERING INFORMATION

Model CM-8000/8100 Series Extended Exit Switches come with a 1" (25mm) button (red or green), brushed aluminum faceplate, modular contact block, 2 socket/slotted screws, and 2 tamperproof screws.

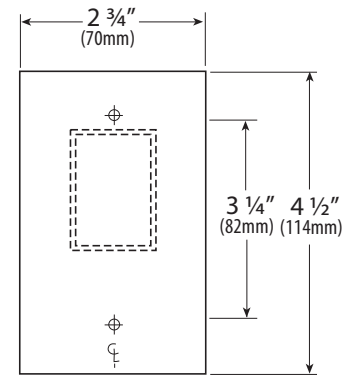
MODEL	DESCRIPTION
-------	-------------

### SINGLE GANG FACEPLATE - 2 3/4" (70MM)

CM-8000	SPRING RETURN N/O, SPST MOMENTARY
CM-8010	SPRING RETURN N/C, SPST MOMENTARY
CM-8020	SPRING RETURN N/O & N/C, DPST MOMENTARY
CM-8085	SPRING RETURN DPST PNEUMATIC TIMER 1-60 SECONDS

### NARROW STILE FACEPLATE - 1 3/4" (44MM)

CM-8100	SPRING RETURN, N/O, SPST MOMENTARY
CM-8110	SPRING RETURN, N/C, SPST MOMENTARY
CM-8120	SPRING RETURN, N/O & N/C, DPST MOMENTARY
CM-8185	SPRING RETURN DPST PNEUMATIC TIMER 1-60 SECONDS



CM-8000

### FOR BUTTON GRAPHICS, ADD:

(ALL TEXT ENGRAVED IN WHITE)

- 'E' FOR 'EXIT'
- 'S' FOR 'SORTIE'
- 'SA' FOR 'SALIDA'

### FOR FACEPLATE GRAPHICS, ADD:

(ADD SUFFIX TO ANY 'BLANK' MODEL)

- /3 'PUSH TO OPEN'
- /3F 'POUSSEZ POUR OUVRIR'
- /3S 'EMPUJE PARA ABRIR'
- /4 'WHEELCHAIR ICON + 'PUSH TO OPEN'
- /7 'PUSH TO EXIT'
- /7F 'POUSSEZ POUR SORTIR'
- /8 'PUSH TO LOCK'

### FOR COLOR, ADD:

- 'R' FOR RED BUTTON
- 'G' FOR GREEN BUTTON
- 'B' FOR BLUE BUTTON

### ADDITIONAL CONTACT:

- CM-XXX-4000/60 ADDITIONAL N/O CIRCUIT
- CM-XXX-4000/61 ADDITIONAL N/C CIRCUIT

### FACEPLATE FINISHES:

- 'BZ' DARK BRONZE FINISH (BHMA 710, 313AN)