

# Column™ 9", 36" & 7536VR Series Push Plate Switches



Camden CM-75 Series Column™ switches offer greater user convenience and lower installation costs by providing a single activation device in place of two high/low switches, as required by a growing number of building codes across North America.

CM-75 Series Column™ switches feature solid aluminum or stainless steel construction and are available in a range of finishes, with the option for Kinetic™ no-battery wireless or Lazerpoint RF™ battery powered wireless transmitters.

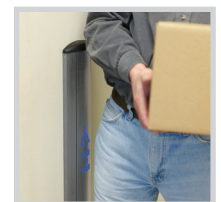
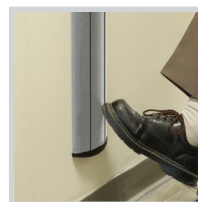
CM-7536VR Series Column™ Switch with Sensor uses active infra-red technology to eliminate the spread of germs.

## Standard Features

- Low profile contoured design with easy activation from any angle
- Adjustable leveling screws for easy installation on uneven walls
- Exceeds state and provincial building code requirements
- Available with clear, bronze or blue anodized finishes, as well as stainless steel
- A wide selection of switch graphics

## 7536VR Features

- IR sensor provides stable and reliable operation
- Red/green light ring with switch or remote activation
- Adjustable sensor range 2" to 8" (5 cm to 20 cm)
- Adjustable sensor time delay (0.5 sec. to 20 sec.)
- Weather/water resistant sensor, IP65 rated



## SPECIFICATIONS

VOLTAGE:	<b>CM-7509/7536:</b> N/A <b>CM-7536VR:</b> 12-24 VDC +/- 10%
CONTACT TYPE:	<b>CM-7509/7536:</b> SPDT Momentary, Form 'C' <b>CM-7536VR:</b> Common / N.O. / N.C.
CONTACT RATING:	<b>CM-7509/7536:</b> 15 Amps @ 30 VDC <b>CM-7536VR:</b> 1 Amps @ 30 VDC
DIMENSIONS:	<b>CM-7509:</b> 5-7/8"W x 10-5/8"H x 1-1/2"D (150mm x 270mm x 38mm) <b>CM-7536:</b> 5-7/8"W x 37-1/2"H x 1-1/2"D (150mm x 953mm x 38mm) <b>CM-7536VR:</b> 5-7/8"W x 37-1/2"H x 1-1/2"D (150mm x 953mm x 38mm)

## MODELS

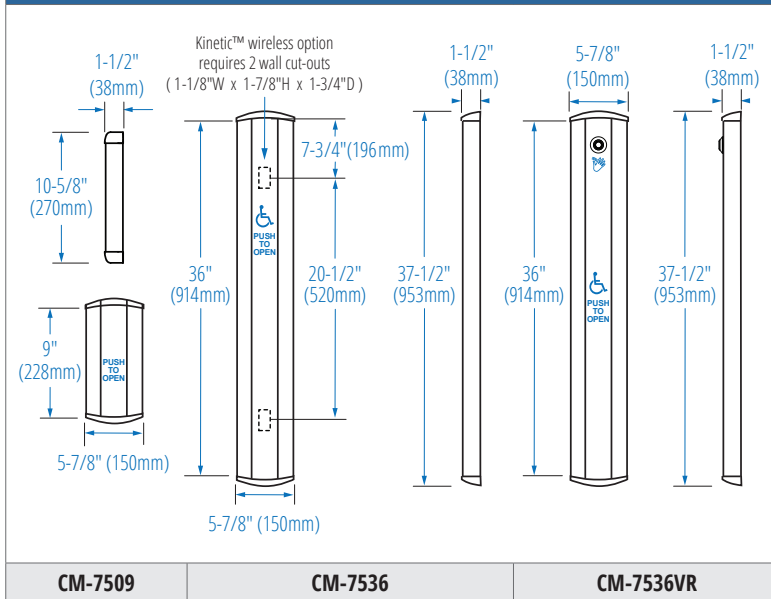
<b>CM-7509</b>	9" Tall Column™ Push Plate Switch, Anodized Aluminum, option for Bronze or Blue finish
<b>CM-7536</b>	36" Tall Column™ Push Plate Switch, Anodized Aluminum, option for Bronze or Blue finish
<b>CM-7536VR</b>	36" Tall Column™ Push Plate Switch with Hands Free Sensor, Anodized Aluminum, option for Bronze or Blue finish
<b>CM-7536SS</b>	36" Tall Column™ Push Plate Switch, Brushed Stainless Steel, US32 / 630
<b>CM-7536SSVR</b>	36" Tall Column™ Push Plate Switch with Hands Free Sensor, Brushed Stainless Steel, US32 / 630

## WATERPROOFING OPTION

<b>-WT</b>	Add '-WT' to Product # for Boot & Water Tight Coating
------------	---

Optional DPDT Switch. DPDT switches not available. Use Camden CX-IRB relay if required.

## DIMENSIONS



## 9" & 36" PUSH PLATE SWITCHES



## OPTIONAL ARCHITECTURAL FINISHES

<b>-BRZ</b>	Add Suffix '-BRZ' to Model # for Anodized Dark Bronze finish (BHMA 710, 313AN)
<b>-BLU</b>	Add Suffix '-BLU' to Model # for Anodized Blue finish

## OPTIONAL WIRELESS

<b>-K</b>	Add Suffix 'K' to Model # for (2) built-in Kinetic™ no-battery wireless transmitter switches.
<b>-TX</b>	Add Suffix '-TX' to Model # for (1) CM-TX-9 Lazerpoint RF™ wireless transmitter and alkaline battery pack, mounted in switch cap
<b>CM-RX90V2</b>	Kinetic™ and Lazerpoint RF™ compatible receiver

## GRAPHIC OPTIONS



Add 'F' to graphic option for French language

<b>CM-xx/1:</b>	CM-7536 only, not available with 'BRZ', 'BLU' or 'SS' finishes
<b>/2AL &amp; /2AR:</b>	Not available on stainless steel models
<b>/A2 &amp; /A4:</b>	Not available on stainless steel models
<b>/8B:</b>	Only available on aluminum models



Opening New Doors to  
Innovation, Quality and Support!

5502 Timberlea Blvd. Mississauga, ON Canada L4W 2T7 • Toll Free: 1 877 226-3369 (CAMDEN9)  
Tel: (905) 366-3377 • Fax: (905) 366-3378 • E-mail: info@camdencontrols.com • www.camdencontrols.com



Part #: MKTG-LIT-SP-CM-75SERV4