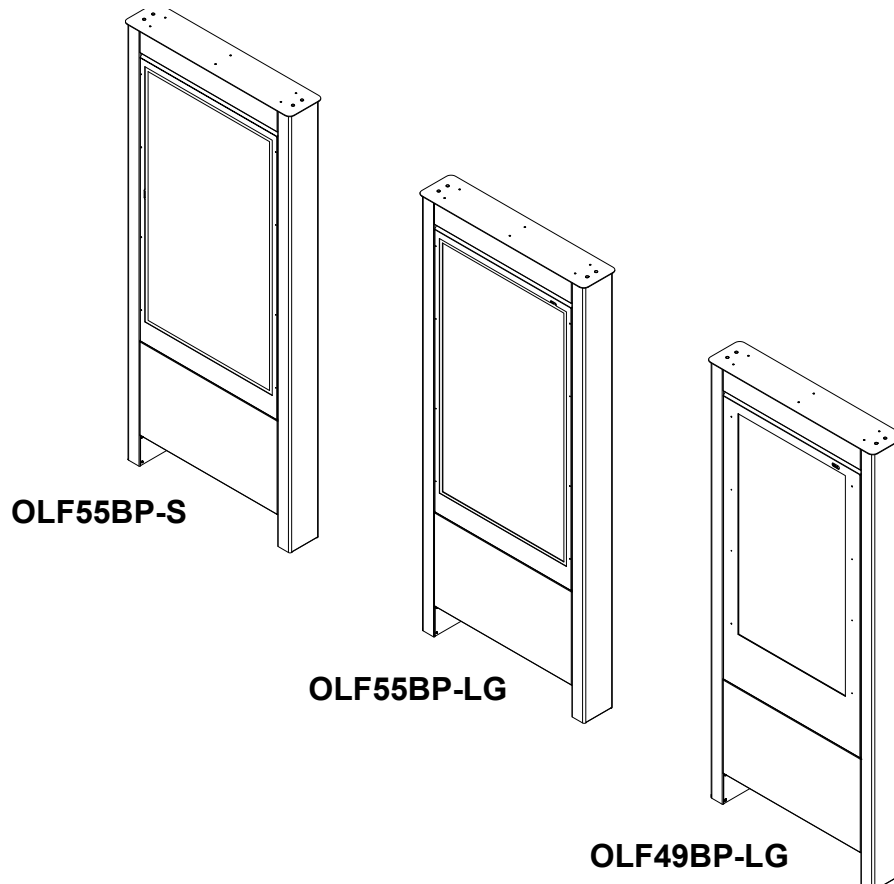

INSTALLATION INSTRUCTIONS



Outdoor Portrait Kiosk



A brand of  legrand®

OLF49BP-LG/OLF55BP-LG/OLF55BP-S

DISCLAIMER

Legrand | AV and its affiliated corporations and subsidiaries (collectively “Legrand | AV”), intend to make this manual accurate and complete. However, Legrand | AV makes no claim that the information contained herein covers all details, conditions or variations, nor does it provide for every possible contingency in connection with the installation or use of this product. The information contained in this document is subject to change without notice or obligation of any kind. Legrand | AV makes no representation of warranty, expressed or implied, regarding the information contained herein. Legrand | AV assumes no responsibility for accuracy, completeness or sufficiency of the information contained in this document.


Chief® is a registered trademark of Legrand AV Inc.


DEFINITIONS

MOUNTING SYSTEM: A MOUNTING SYSTEM is the primary Chief product to which an accessory and/or component is attached.


ACCESSORY: AN ACCESSORY is the secondary Chief product which is attached to a primary Chief product, and may have a component attached or setting on it.


COMPONENT: A COMPONENT is an audiovisual item designed to be attached or resting on an accessory or mounting system such as a video camera, CPU, screen, display, projector, etc.


 **WARNING:** A WARNING alerts you to the possibility of serious injury or death if you do not follow the instructions.


 **CAUTION:** A CAUTION alerts you to the possibility of damage or destruction of equipment if you do not follow the corresponding instructions.


 **IMPORTANT SAFETY INSTRUCTIONS**


 **WARNING:** Failure to read, thoroughly understand, and follow all instructions can result in serious personal injury, damage to equipment, or voiding of factory warranty! It is the installer’s responsibility to make sure all mounting systems are properly assembled and installed using the instructions provided.


 **WARNING:** Failure to provide adequate structural strength for this mounting system can result in serious personal injury or damage to equipment! It is the installer’s responsibility to make sure the structure to which this mounting system is attached can support five times the combined weight of all equipment. Reinforce the structure as required before installing the mounting system.

 **WARNING:** Exceeding the weight capacity can result in serious personal injury or damage to equipment! It is the installer’s responsibility to make sure the combined weight of all components attached to mounting system does not exceed 150 lbs (68.0 kg).

 **WARNING:** Use this mounting system only for its intended use as described in these instructions. Do not use attachments not recommended by the manufacturer.

 **WARNING:** Never operate this mounting system if it is damaged. Return the mounting system to a service center for examination and repair.

 **WARNING:** The mounting system is designed to be operated within an ambient temperature range of -22° F to 122° F (-30° C to 50° C). Operating the mounting system outside of this temperature range can result in serious personal injury or damage to equipment!

 **WARNING:** Never operate the mounting system with the air openings blocked. Keep the air openings and filters free of lint, hair, dust, and other contaminants.

IMPORTANT ! : The OLF49BP-LG/OLF55BP-LG/OLF55BP-S mounting systems are designed to be mounted to an:

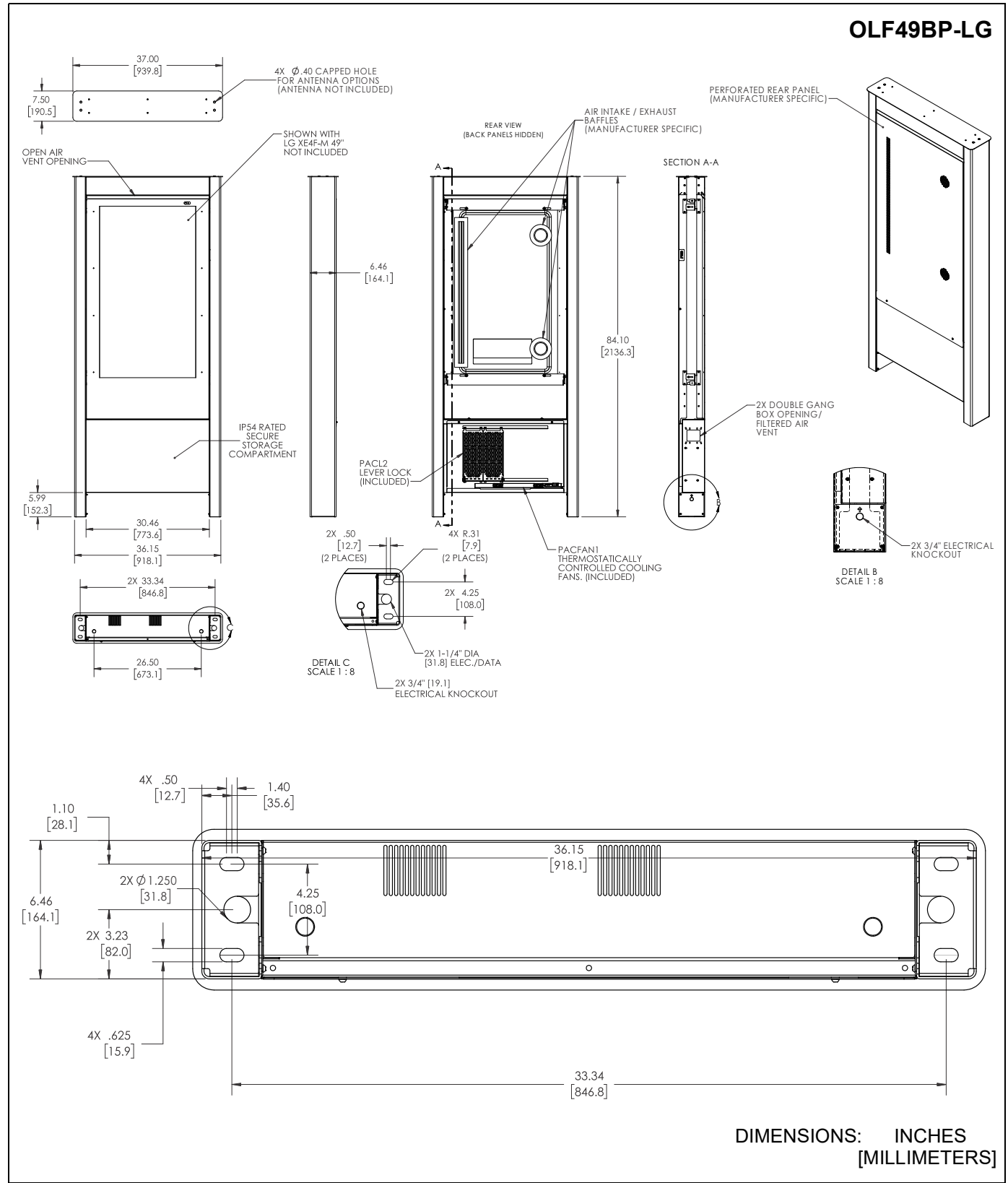
- Structurally sound solid concrete surface with a minimum thickness of 4" (101.6mm) or greater

IMPORTANT ! : The secure storage compartment in the mounting system is IP54 rated for solid particle and liquid ingress protection.

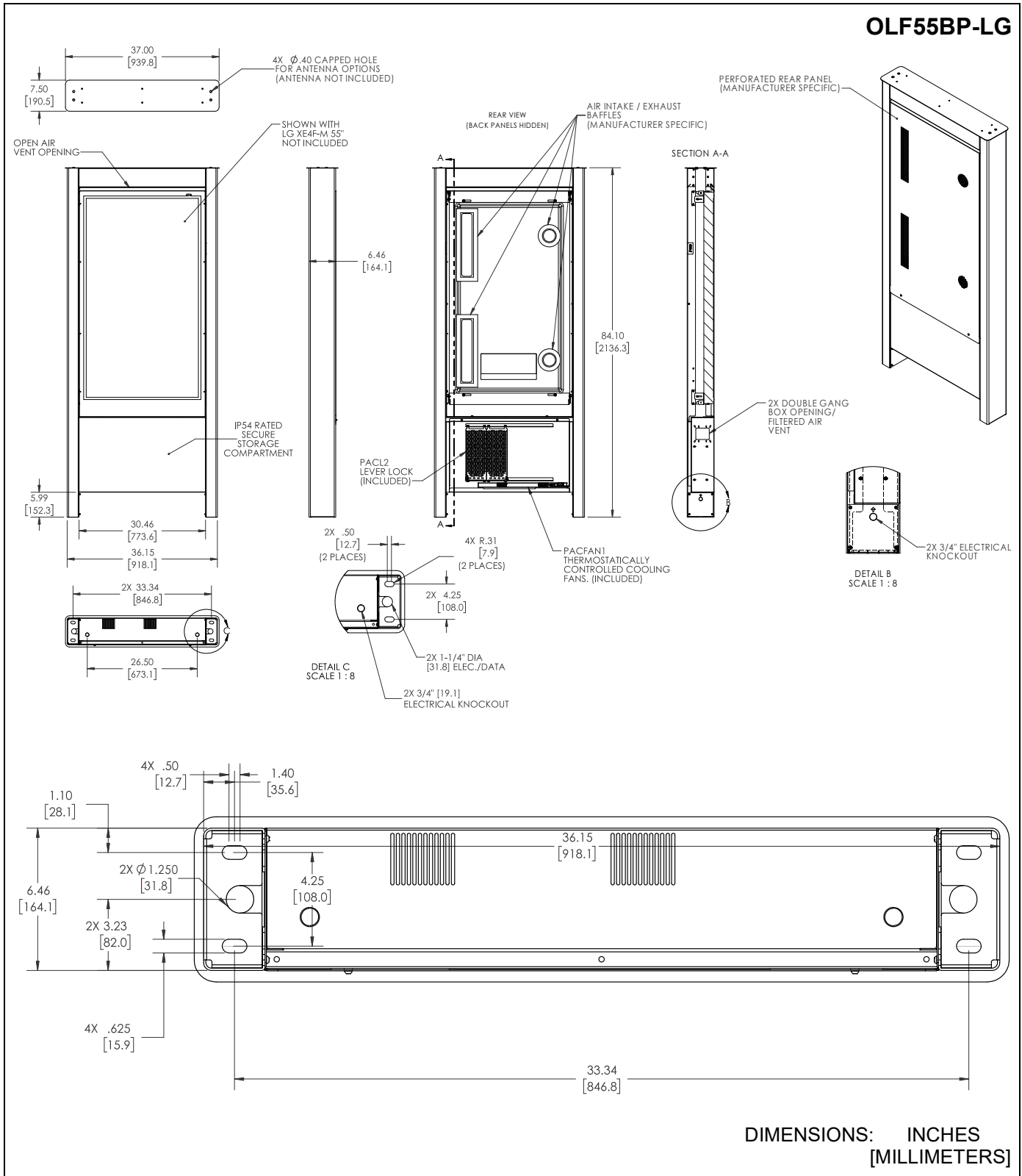
--SAVE THESE INSTRUCTIONS--

DIMENSIONS

OLF49BP-LG

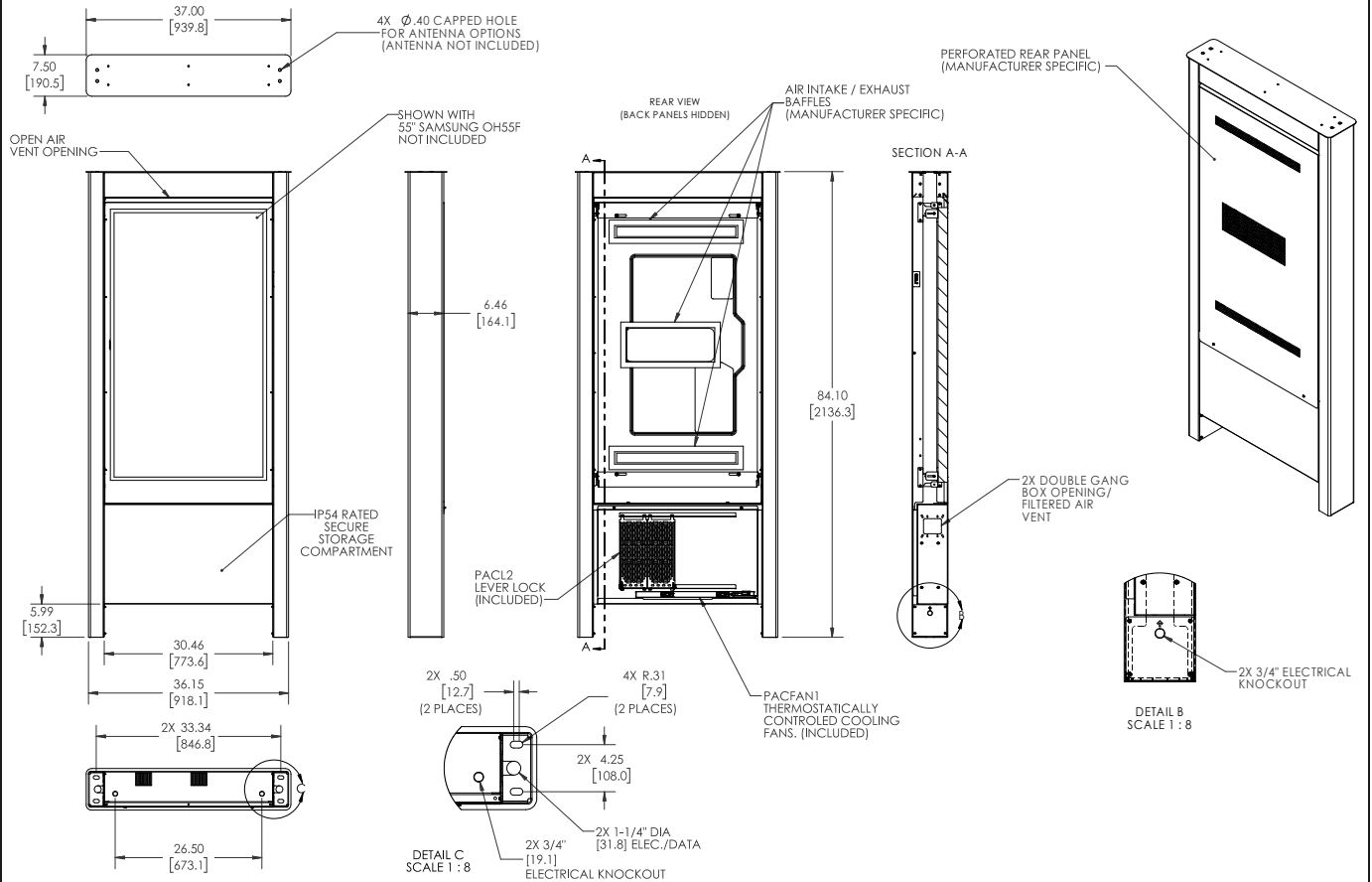


DIMENSIONS...continued



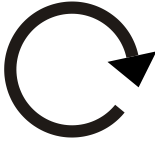

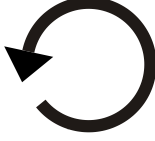


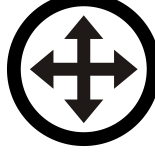






DIMENSIONS...continued

OLF55BP-S

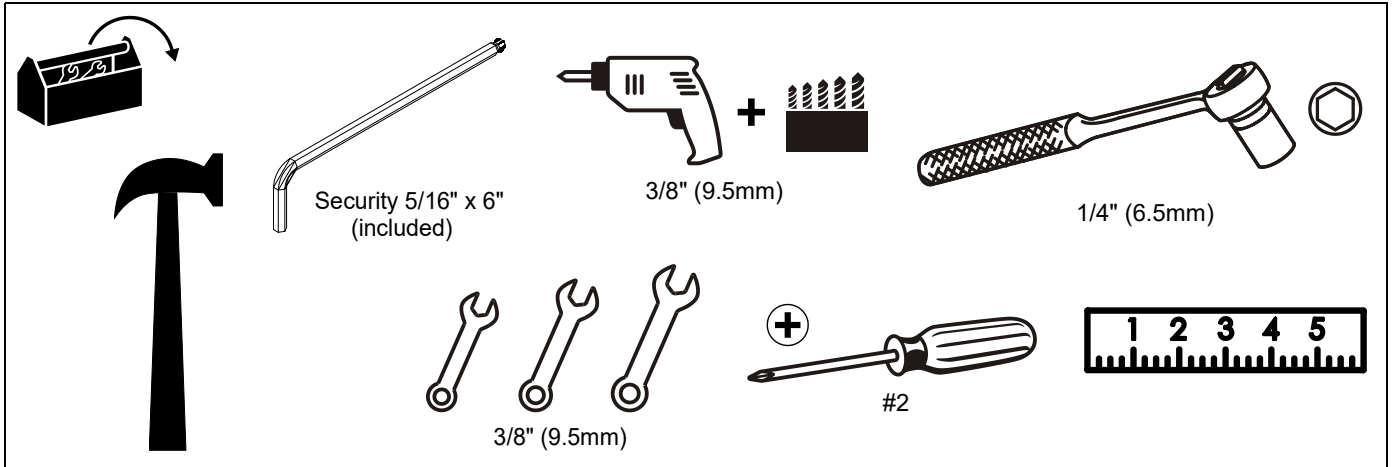


DIMENSIONS: INCHES [MILLIMETERS]

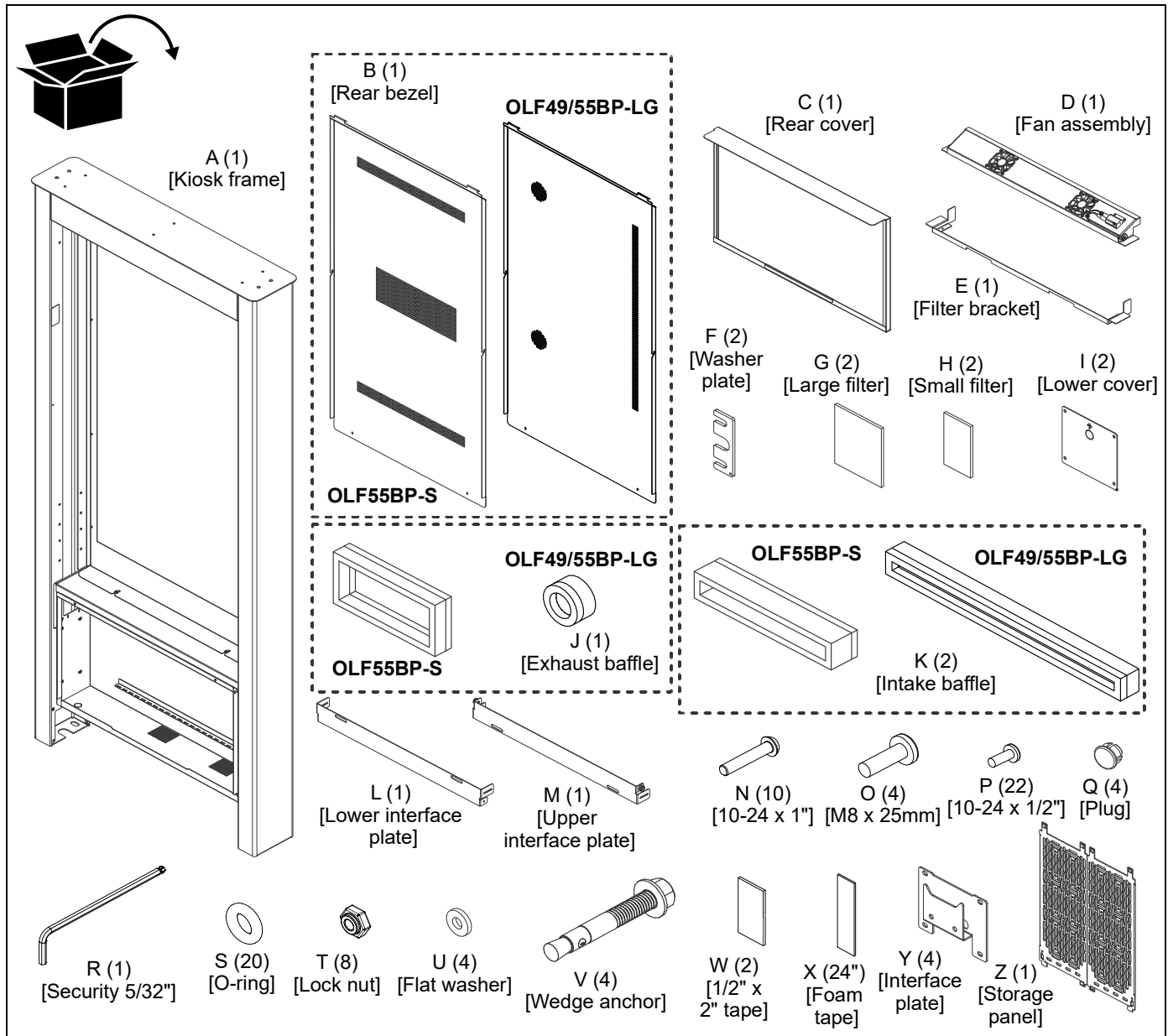
LEGEND

	<p>Tighten Fastener</p> <p>Apretar elemento de fijación</p> <p>Befestigungsteil festziehen</p> <p>Apertar fixador</p> <p>Serrare il fissaggio</p> <p>Bevestiging vastdraaien</p> <p>Serrez les fixations</p>		<p>Pencil Mark</p> <p>Marcar con lápiz</p> <p>Stiftmarkierung</p> <p>Marcar com lápis</p> <p>Segno a matita</p> <p>Potloodmerkteken</p> <p>Marquage au crayon</p>
	<p>Loosen Fastener</p> <p>Aflojar elemento de fijación</p> <p>Befestigungsteil lösen</p> <p>Desapertar fixador</p> <p>Allentare il fissaggio</p> <p>Bevestiging losdraaien</p> <p>Desserrez les fixations</p>		<p>Drill Hole</p> <p>Perforar</p> <p>Bohrloch</p> <p>Fazer furo</p> <p>Praticare un foro</p> <p>Gat boren</p> <p>Percez un trou</p>
	<p>Phillips Screwdriver</p> <p>Destornillador Phillips</p> <p>Kreuzschlitzschraubendreher</p> <p>Chave de fendas Phillips</p> <p>Cacciavite a stella</p> <p>Kruiskopschroevendraaier</p> <p>Tournevis à pointe cruciforme</p>		<p>Adjust</p> <p>Ajustar</p> <p>Einstellen</p> <p>Ajustar</p> <p>Regolare</p> <p>Afstellen</p> <p>Ajuster</p>
	<p>Open-Ended Wrench</p> <p>Llave de boca</p> <p>Gabelschlüssel</p> <p>Chave de bocas</p> <p>Chiave a punte aperte</p> <p>Steeksleutel</p> <p>Clé à fourche</p>		<p>Remove</p> <p>Quitar</p> <p>Entfernen</p> <p>Remover</p> <p>Rimuovere</p> <p>Verwijderen</p> <p>Retirez</p>
	<p>By Hand</p> <p>A mano</p> <p>Von Hand</p> <p>Com a mão</p> <p>A mano</p> <p>Met de hand</p> <p>À la main</p>		<p>Optional</p> <p>Opcional</p> <p>Optional</p> <p>Opcional</p> <p>Opzionale</p> <p>Optie</p> <p>En option</p>
	<p>Hex-Head Wrench</p> <p>Llave de cabeza hexagonal</p> <p>Sechskantschlüssel</p> <p>Chave de cabeça sextavada</p> <p>Chiave esagonale</p> <p>Zeskantsleutel</p> <p>Clé à tête hexagonale</p>		<p>Security Wrench</p> <p>Llave de seguridad</p> <p>Sicherheitsschlüssel</p> <p>Chave de segurança</p> <p>Chiave di sicurezza</p> <p>Veiligheidssleutel</p> <p>Clé de sécurité</p>

TOOLS REQUIRED FOR INSTALLATION



PARTS



Assembly And Installation

Solid Concrete Floor



WARNING: Anchors must be installed into structurally sound solid concrete with a minimum thickness of 4" (101.6mm) greater. Installation into hollow concrete block, mortar, or concrete that exhibits cracking, spalling, or other defects may result in failure of anchor and serious personal injury or damage to equipment!

1. Before removing components from package, carefully set aside the top corrugate pad and remove the perforated template from the pad. (See Figure 1)

IMPORTANT ! : Do not bend or fold the template.

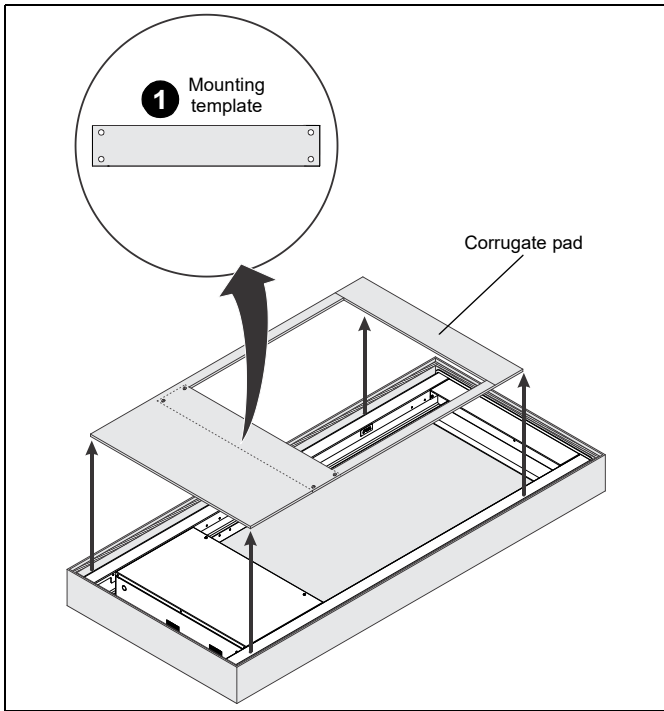


Figure 1

2. Place the template on the floor in the desired location and mark the locations of all four holes. (See Figure 2)

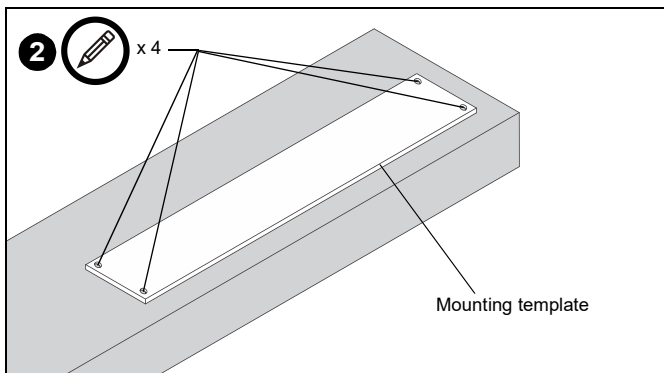


Figure 2

3. Hammer drill 3/8" diameter x 2 5/8" (minimum) deep hole at each marked cable anchor support location (See Figure 4). Ensure hole is at least 2-1/2" from nearest concrete edge. Remove debris from hole.

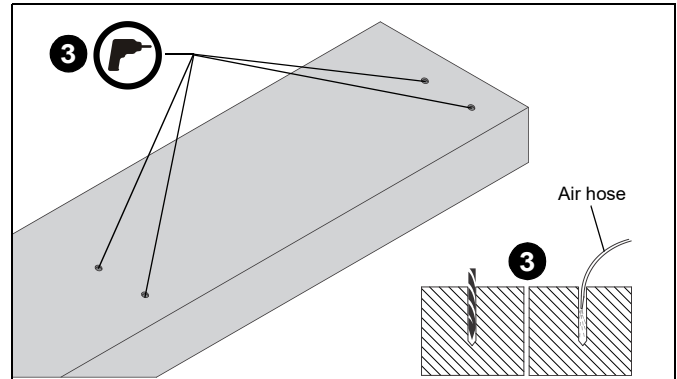


Figure 3

4. Remove the installed nut and washer from each of the four wedge anchors (V) and set aside.
5. Drive four wedge anchors (V) into the holes in the concrete floor using a hammer. Minimum anchor embedment is 2 3/8". (See Figure 4)

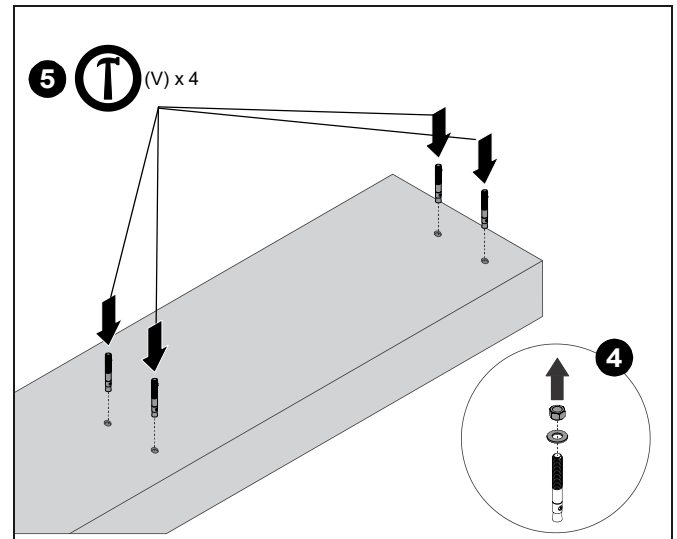


Figure 4

Mounting Kiosk

NOTE: Make sure rear cover (C) of kiosk frame (A) and all loose hardware and installation components have been removed and set aside before mounting the kiosk.

1. Install four interface plates (Y) to inside of kiosk frame (A) using four 10-24 x 1/2" screws (P) per plate.

NOTE: The orientation of the plates installed towards to top of the kiosk frame (A) is opposite of the plates installed towards the bottom of the frame. (See Figure 5)

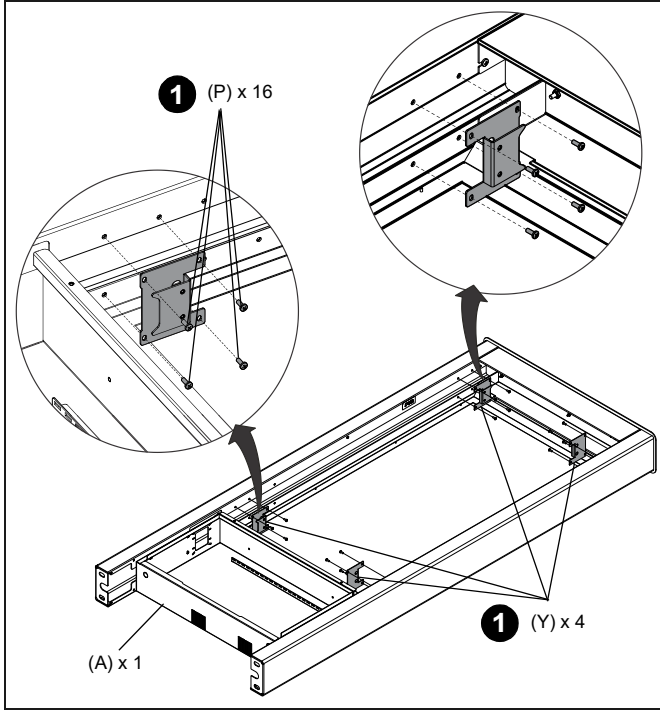


Figure 5

- Carefully tilt the kiosk frame (A) upwards until standing vertically. Move the feet of the frame into position over the four wedge anchors (V). (See Figure 6)

WARNING: Do not attempt to move the kiosk frame without the assistance of at least one other person.

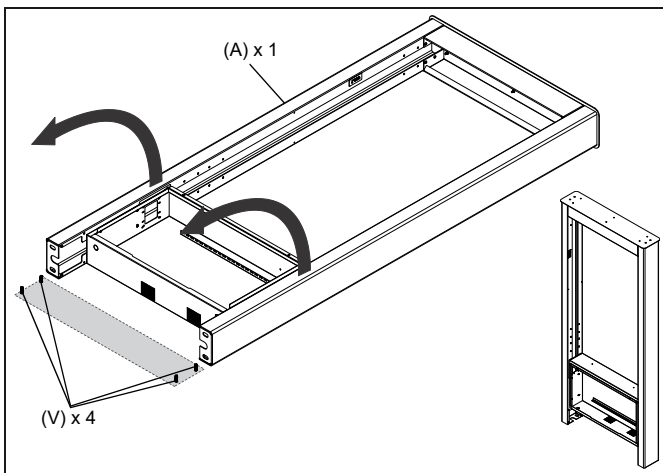


Figure 6

- Slide two washer plates (F) around the exposed bases of the wedge anchors (V). (See Figure 7)
- Insert a flat washer (U) onto the ends of each of the four wedge anchors (V) above the washer plates (F).
- Reinstall the nuts and washers removed from the wedge anchors and tighten nuts to 20 ft-lbs. (See Figure 7)

WARNING: Failure to properly set anchor may result in failure of anchor and serious personal injury or damage to equipment!

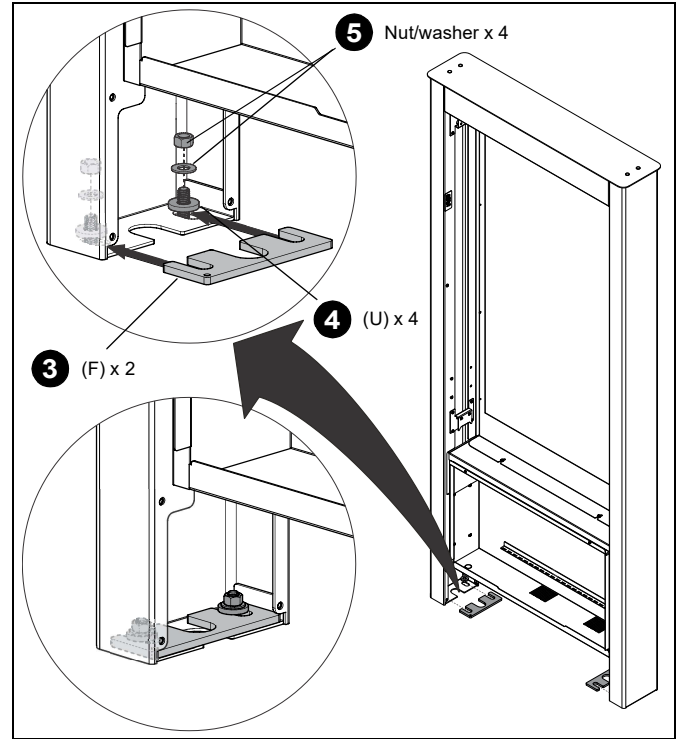


Figure 7

- Install upper interface bracket (M) to top edge of monitor using two M8 x 25 mm screws (O). (See Figure 8)

NOTE: The upper interface bracket has two mounting buttons installed to the small flanges on the bracket.

- Install lower interface bracket (L) to bottom edge of monitor using two M8 x 25 mm screws (O). (See Figure 8)

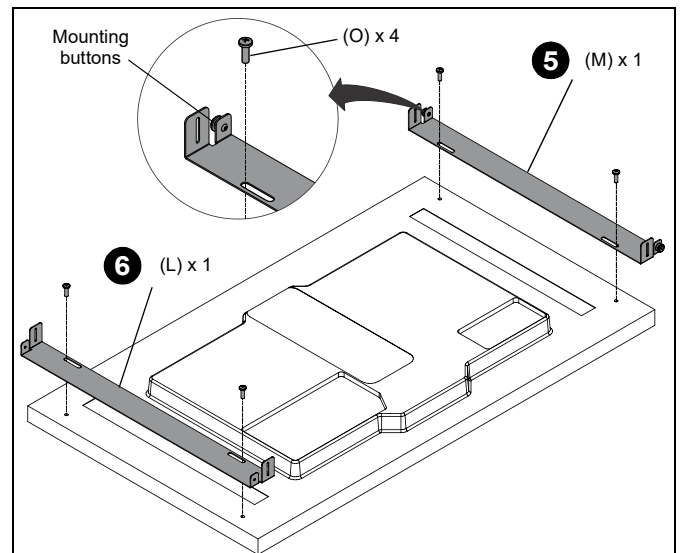


Figure 8

NOTE: The orientation of the upper interface bracket (M) is opposite to the lower interface bracket (L).

8. Tilt the top edge of the monitor into the kiosk frame (A) and rest the mounting buttons on the upper interface bracket into the recessed areas in upper interface plates.
9. Rotate the bottom edge of the monitor down into the kiosk frame until the long slots in the lower interface brackets line up with the holes in lower interface plates. (See Figure 9)

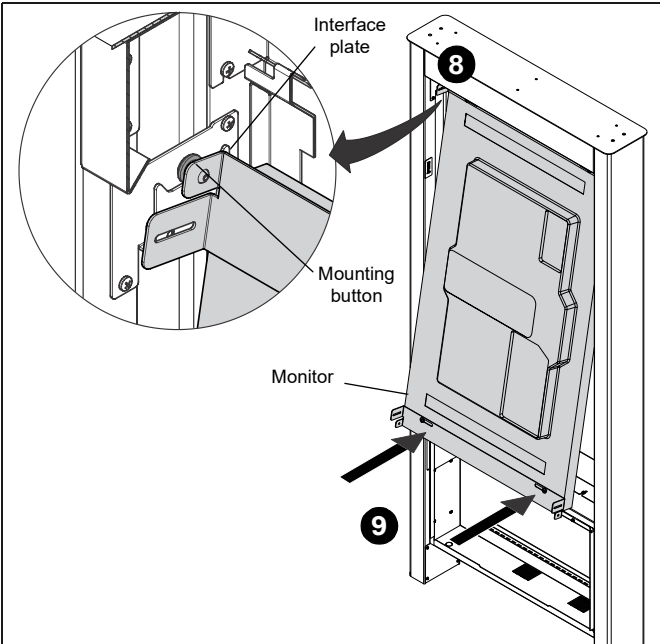


Figure 9

10. Install the upper and lower interface brackets on the monitor to the interface plates on the kiosk frame using four 10-24 x 1/2" screws (P). (See Figure 10)

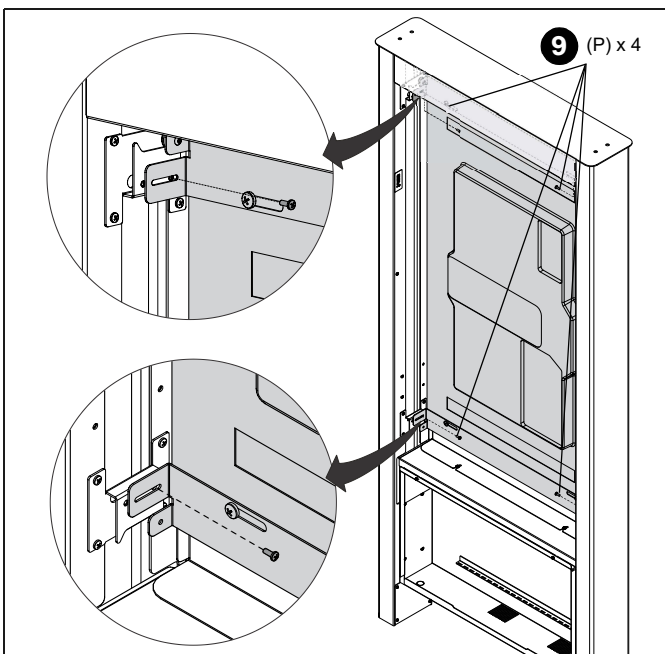


Figure 10

11. Route cables through sides of kiosk frame. Cables can be routed from the monitor to the enclosed storage area and/or out the bottom near the mounting locations. (See Figure 11)

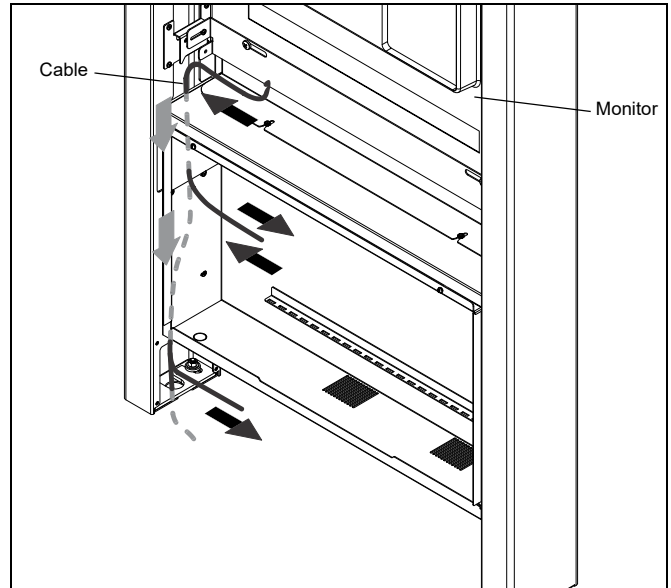


Figure 11

Assembly

1. Remove adhesive covers from two 1/2" x 2" tape pads (W) and attach to edges of fan assembly (D). Attach filter bracket (E) to underside of fan assembly. (See Figure 12)
2. Remove adhesive covers from two foam tapes (X) and attach to edges of filter bracket (E) (See Figure 12)

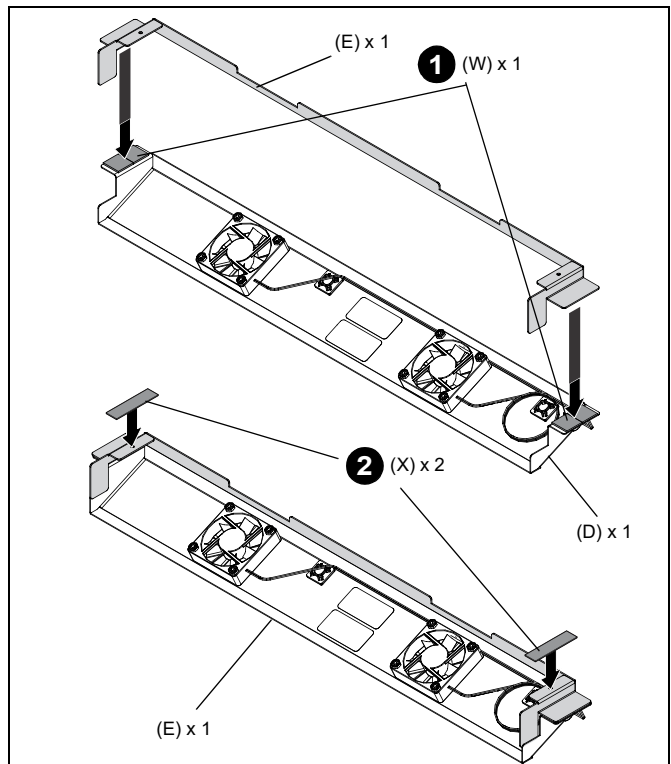


Figure 12

- Attach assembled fan assembly/filter bracket to the bottom of the enclosed storage area. (See Figure 13)

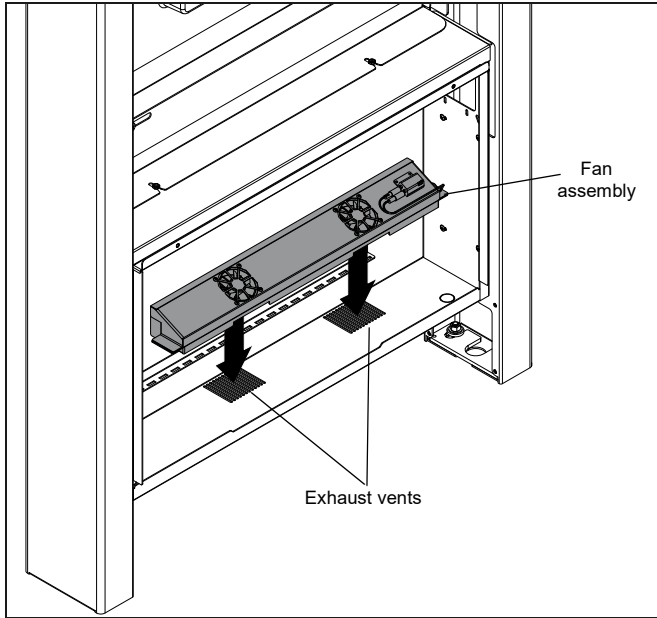


Figure 13

NOTE: Position fan blades over the exhaust vents in the frame.

- Insert two small filters (H) into the gaps directly underneath the fans between the filter bracket and the bottom panel of the enclosed storage area. (See Figure 14)

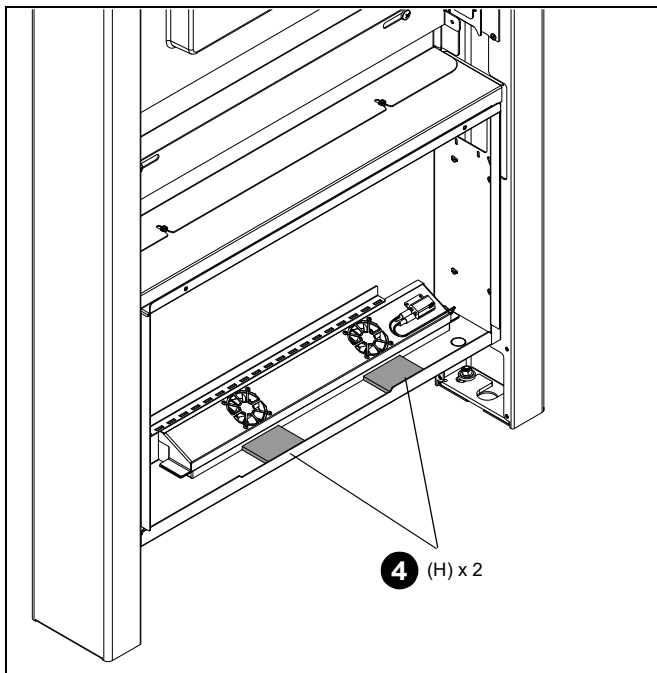


Figure 14

Removing/Installing Storage Panel



WARNING: Exceeding the weight capacity can result in serious personal injury or damage to equipment! It is the installer's responsibility to make sure the weight of components attached to the storage panel does not exceed 5 lbs (2.3 kg)

- Squeeze the spring-loaded latch on lower end tabs of the storage panel (Z) and slide the panel up and out of the slots on the rear frame. (See Figure 15)
- To reinstall the panel, slide the panel end without latches up into the slots on one side of the rear frame opening.
- Pivot panel in and slide it down toward the slots on lower side of the rear frame panel opening. The panel will snap into the slots, securing it to the rear frame. (See Figure 15)

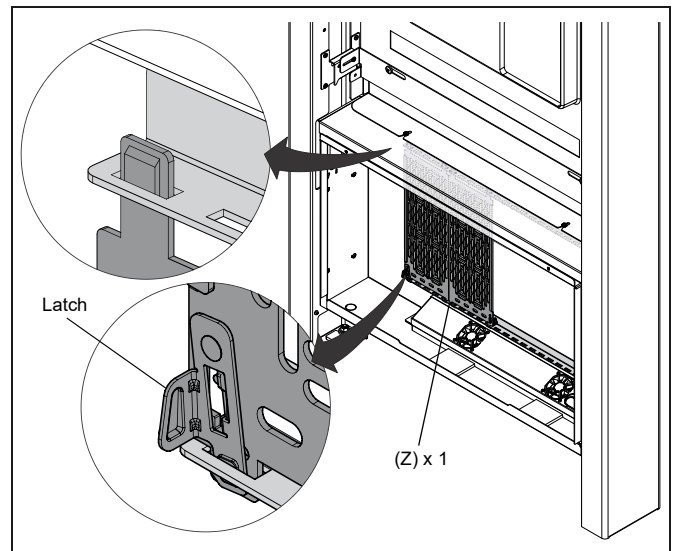


Figure 15

Finishing Assembly

- Place two large filters (G) over the large openings in the sides of the kiosk frame in the enclosed storage area. (See Figure 16)

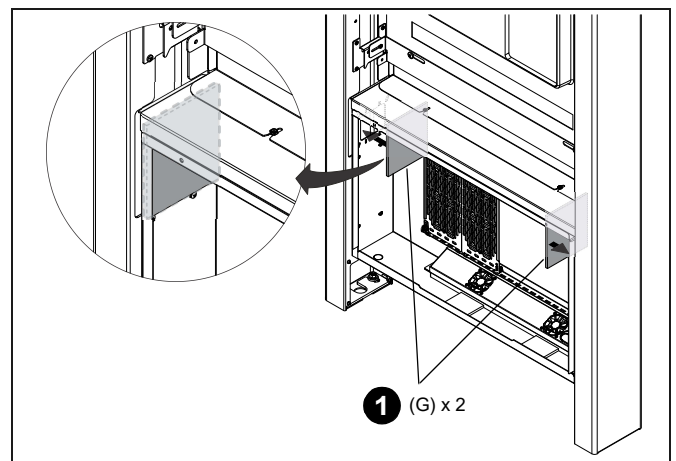


Figure 16

- Place the rear cover (C) over the back side of the kiosk frame. (See Figure 17)

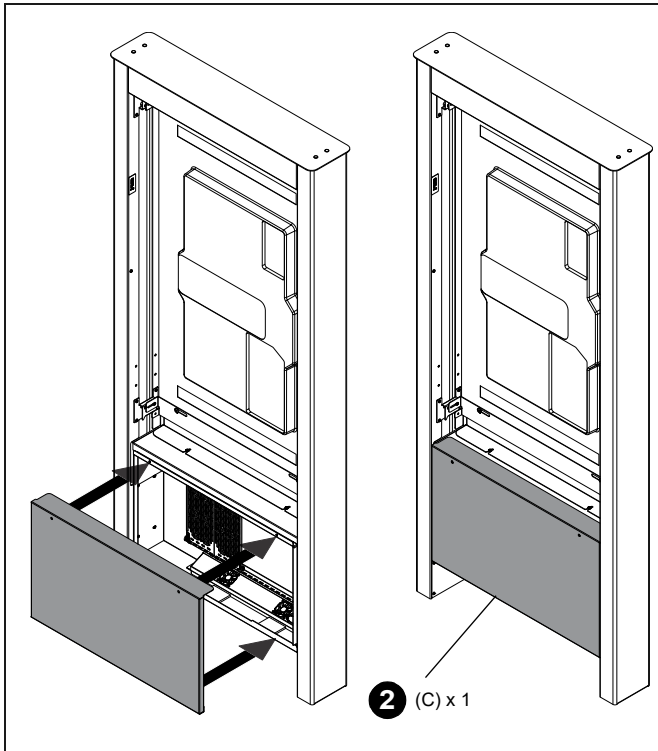


Figure 17

- Remove adhesive covers from one exhaust baffle (J) and two intake baffles (K), then attach to the inside of the rear bezel (B) around the openings in the panel. (See Figure 18)

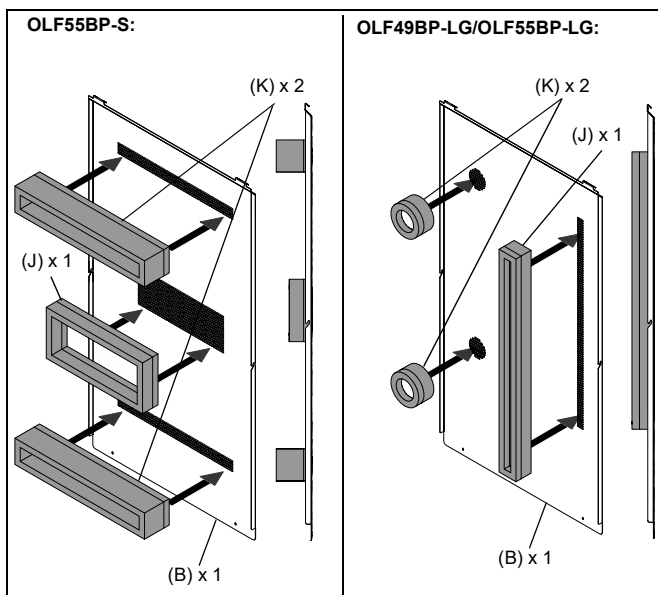


Figure 18

- Hook the top of the rear bezel (B) onto the edge along the inside of the kiosk frame.

- Carefully rotate the bottom edge of the bezel down, making sure the cutouts on both sides fit around the exposed screw heads in the sides of the kiosk frame. (See Figure 19)
- Position rear bezel (B) flat against the kiosk frame and install two 10-24 x 1" screws (N) and O-rings (S) through the holes along the bottom edge of the bezel. (See Figure 19)

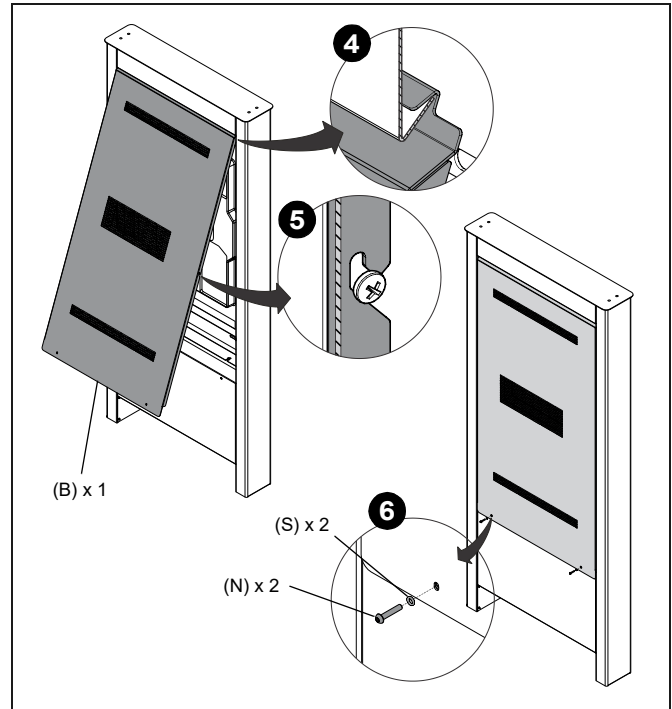


Figure 19

- Install two lower covers (I) over the openings at the base of the kiosk frame using eight 10-24 x 1" screws (N) and O-rings (S). The arrows on the panels point up. (See Figure 20)

NOTE: The lower panels have punch-outs (circle areas underneath the arrows) that can be removed to provide additional wiring clearance if needed.

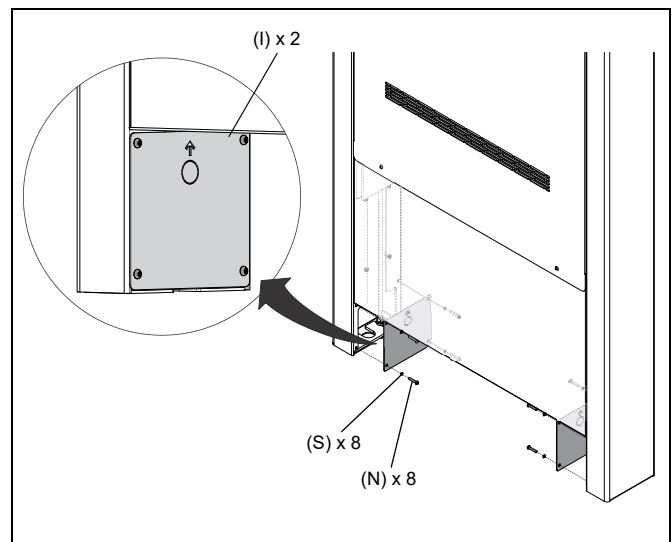


Figure 20

- 8. Insert four plugs (Q) into the holes in the top panel of the kiosk frame. (See Figure 21)

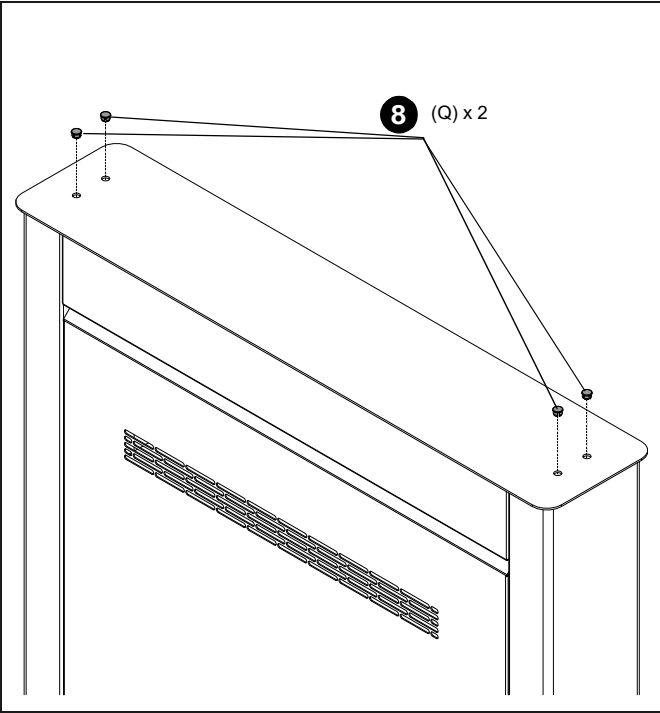


Figure 21



A brand of  **legrand**[®]

8800-003332 Rev00
 ©2022 Legrand | AV
www.legrandav.com
 07/2022

USA/International	<p>A 6436 City West Parkway, Eden Prairie, MN 55344 P 800.582.6480 / 952.225.6000 F 877.894.6918 / 952.894.6918</p>
Europe	<p>A Franklinstraat 14, 6003 DK Weert, Netherlands P +31 (0) 495 580 852 F +31 (0) 495 580 845</p>
Asia Pacific	<p>A Office No. 918 on 9/F, Shatin Galleria 18-24 Shan Mei Street Fotan, Shatin, Hong Kong P 852 2145 4099 F 852 2145 4477</p>

