



Audible Visible Accessories

System Sensor L-Series offers a wide range of Audible Visible (AV) accessories to enable you to meet a variety of application requirements.



Features

MP120KLA Mounting Plate

- Designed for both indoor and outdoor use
- Plug-in design eliminates ground faults
- Power supply that converts 120 VAC to nominal 24 V FWR
- Compatible with all two-wire L-Series devices
- ULC Listed

Color Lens Attachments

- Easily turns any device into a strobe for ECS/MNS events: severe weather, toxic gases, sprinkler activation and more
- Outdoor rated from -35°F to 151°F (-37°C to 66°C)
- Wall- or ceiling-mount lenses available

Bezel Kits

- Easily turn a Fire or Plain device into a device to meet ECS/MNS requirements
- Options to create a bilingual device
- Bezel kits available for all indoor L-Series AV appliances
- Choice of bezel kits printed with the words: FIRE, ALERT, EVAC, AGENT, FEU, FOGO, FUEGO, FUEGO/FIRE, or plain (no lettering)
- For use with L-Series devices only
- Operating temperature -40°F to 151°F (-40°C to 66°C)
- Sold in 5-packs

The **MP120KLA Mounting Plate** is designed to use 120 VAC to power standard L-Series horns, strobes, horn strobes, chimes, and chime strobes.

Colour Lens Attachments install easily on any L-Series strobe devices to provide distinctive visual signaling.

Bezel Kits enable installers to easily turn any L-Series Fire or Plain device into a device that meets ECN/MNS requirements, or into a bilingual FIRE device. Bezel kits are available for all varieties and footprints of L-Series products and come in FIRE, ALERT, EVAC, AGENT, FEU, FOGO, FUEGO, FUEGO/FIRE, and Plain options making customization easy.

Universal Trim Rings for wall and ceiling mount devices are oversized to provide a clean installation when replacing a legacy or competitor product that has a different product footprint.

L-Series Surface Mount Back Boxes are the best solution in locations with a hard mounting surface such as brick. Red and White options provide best in class aesthetics for applications that require an exposed junction box.

The **Sync•Circuit Module** synchronizes L-Series strobes at 1 Hz and horns and chimes at temporal 3 over a single pair of wires. Patented module technology also allows the silencing of horns or chimes on horn strobe and chime strobe models over a pair of wires. See the Sync•Circuit Datasheet for more information.

Agency Listings



S5512
S4011
S4048



FM approved :
Sync modules and MP120KL.
3057383, 3057072, 3057493
Does not include color lenses.

Specifications

MP120KLA

120 VAC mounting plate model MP120KLA shall be listed to ULC. The mounting plate shall power a two-wire L-Series horn, strobe, horn strobe, chime or chime strobe from a 120 VAC supply converted to nominal 24 V FWR. For indoor applications, the mounting plate shall be installed in a 4x4x2¹/₈ -inch junction box.

Compatibility

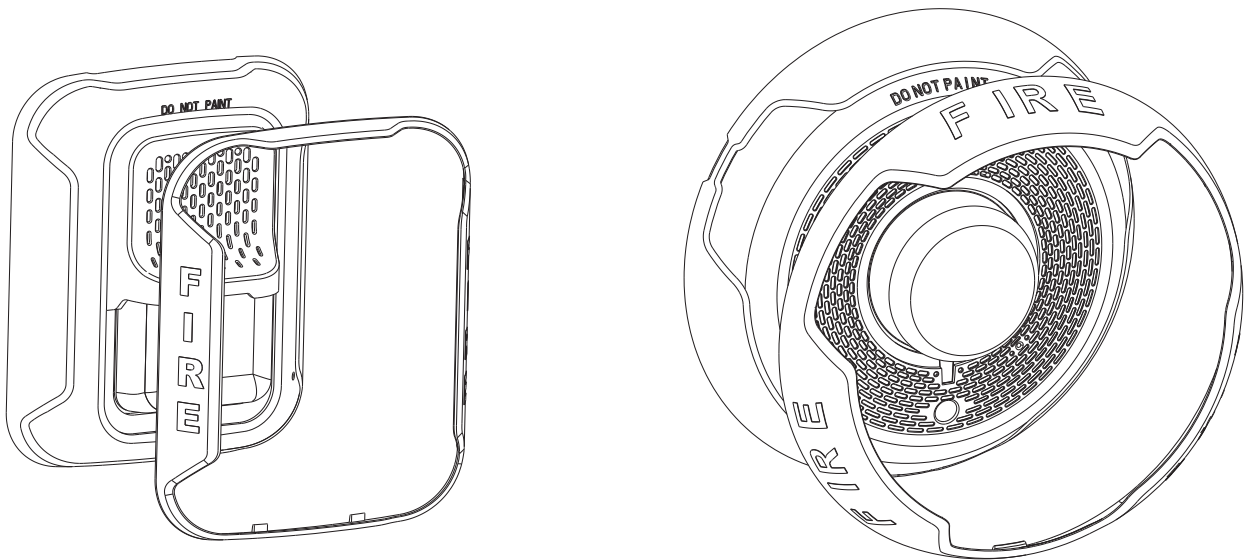
MP120KL(A) is physically compatible with all System Sensor L-series indoor appliances: horns, horn strobes, strobes, chimes, and chime strobes. It is compatible at all tone settings. Note: Strobes will not synchronize.

Physical/Operating Specifications

Standard Operating Temperature	-40°F to 151°F (-40°C to 66°C)
Humidity Range	10 to 93% non-condensing (indoor products)
Nominal Voltage	Regulated 120 VAC
Operating Voltage Range	96–132 VAC
Current Draw From AC Line	150 mA max.

L-Series Bezels

The System Sensor L-Series bezels are for installation with strobes, horns, chimes, horn strobes, chime strobes, and speaker strobes. Bezels are offered in red and white for both wall and ceiling devices. Lettering choices: FIRE, ALERT, EVAC, AGENT, FEU, FOGO, FUEGO, FUEGO/FIRE, and Plain (no marking). Operating temperature shall be -40°F to 151°F (-40°C to 66°C).



Specifications

Colored Lens Attachments

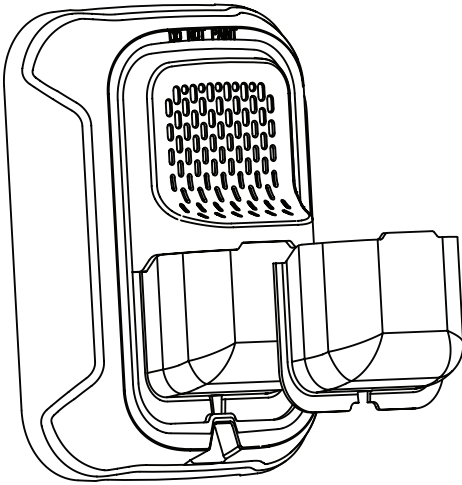
The System Sensor L-Series colored lens attachments shall be approved for fire protective service as listed in UL 1638. The lens attachments shall only be used with plain (no "FIRE" print) System Sensor strobe devices or in conjunction with a non-fire printed bezel. The lens shall mount to any wall- or ceiling-mount strobes and shall be rated from -35°F to 151°F (-37°F to 66°C).

Compatibility

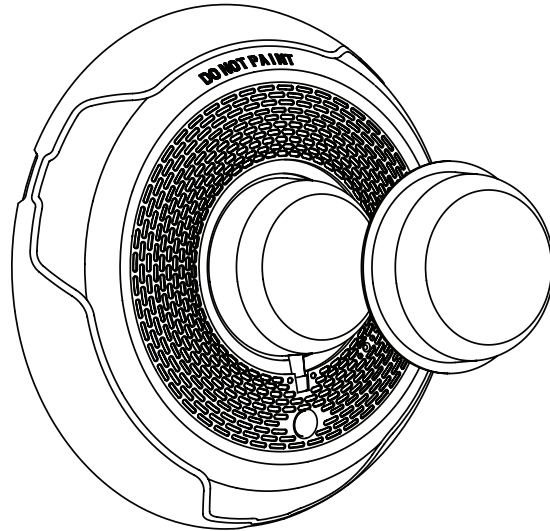
Colored lens attachments may be used over System Sensor L-Series plain strobe with clear lens. For use in Private mode.

Colored Lens Installation

Installation to Wall-Mount Strobe



Installation to Ceiling-Mount Strobe



Ordering Information (continued)

Part No.	Description
Surface Mount Back Box	
SBBRL	Red, wall-mount, compatible with horns, strobes, horn strobes, chimes and chime strobes
SBBWL	White, wall-mount, compatible with horns, strobes, horn strobes, chimes and chime strobes
SBBSPRL	Red, wall-mount, compatible with speakers and speaker strobes
SBBSPWL	White, wall-mount, compatible with speakers and speaker strobes
SBBCRL	Red, ceiling-mount compatible with horns, strobe, horn strobes, chimes, chime strobes, speakers and speaker strobes
SBBCWL	White, ceiling-mount, compatible with horns, strobe, horn strobes, chimes, chime strobes, speakers and speaker strobes
SBBGRL	Red, wall-mount, compatible with compact horns, strobes, horn strobes
SBBGWL	White, wall-mount, compatible with compact horns, strobes, horn strobes
Bezels*	
BZR	Wall Red Bezel Kit
BZW	Wall White Bezel Kit
BZGR	Compact Wall Red Bezel Kit
BZGW	Compact Wall White Bezel Kit
BZRC	Horn Strobe Ceiling Red Bezel Kit
BZWC	Horn Strobe Ceiling White Bezel Kit
BZSPR	Speaker Strobe Wall Red Bezel Kit
BZSPW	Speaker Strobe Wall White Bezel Kit
BZSPRC	Speaker Strobe and Low-Frequency Ceiling Red Bezel Kit
BZSPWC	Speaker Strobe and Low-Frequency Ceiling White Bezel Kit

*Each bezel pack ships in a package of 5.
Add one of the following extensions for print/language options:
-F (FIRE), -AL (ALERT), -EV (EVAC), -AG (AGENT), -P (Plain),
-FR (FEU), -PG (FOGO), -SP (FUEGO), -SPE (FUEGO/FIRE).

Part No.	Description
Colored Lenses	
LENS-B2	Wall-mount, blue
LENS-R2	Wall-mount, red
LENS-G2	Wall-mount, green
LENS-A2	Wall-mount, amber
LENS-BC2	Ceiling-mount, blue
LENS-RC2	Ceiling-mount, red
LENS-GC2	Ceiling-mount, green
LENS-AC2	Ceiling-mount, amber
Retrofit Plates (For use with horn strobe & speaker strobe devices)	
RFPW	9.5" x 7" (24.13 cm x 17.78 cm) white
RFP	9.5" x 7" (24.13 cm x 17.78 cm) red
Mounting Plate	
MP120KLA	120 VAC Adapter Mounting Plate
Sync Modules	
MDL3WA	White, 12/24 volt Sync-Circuit module
MDL3RA	Red, 12/24 volt Sync-Circuit module
Trim Rings	
TR-2	Universal wall trim ring, red, 6.3" x 8.2" (16 cm x 20.83 cm) (5-pack)
TRC-2	Universal ceiling trim ring, red, diameter 8.5" (21.59 cm) (5-pack)
TR-2W	Universal wall trim ring, white, 6.3" x 8.2" (16 cm x 20.83 cm) (5-pack)
TRC-2W	Universal ceiling trim ring, white, diameter 8.5" (21.59 cm) (5-pack)
TRCWLA-10	Ceiling trim ring, white, diameter 7.0" (17.78 cm) (10-pack)
TCRLA-10	Ceiling trim ring, red, diameter 7.0" (17.78 cm) (10-pack)



3333 Unity Drive, Mississauga, ON L5L 3S6x
Phone: 800-SENSOR2 • Fax: 905-812-0771
www.systemsensor.ca

©2020 System Sensor.
Product specifications subject to change without notice. Visit systemsensor.ca
for current product information, including the latest version of this data sheet.
AVDS882-03 • 10/02/2020