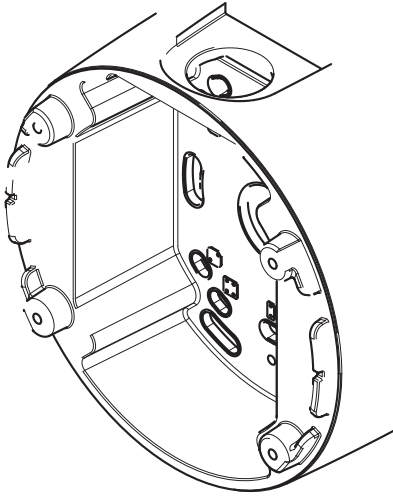
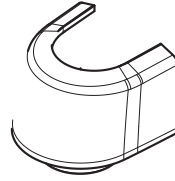


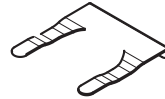
AXIS T94G01P Conduit Back Box



1x



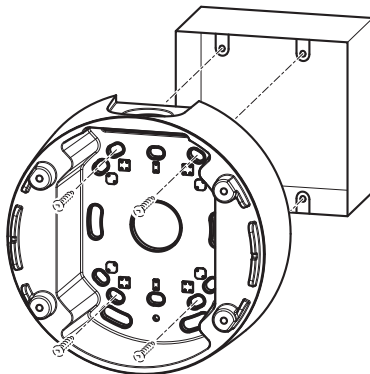
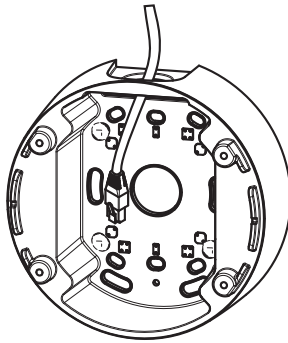
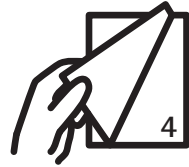
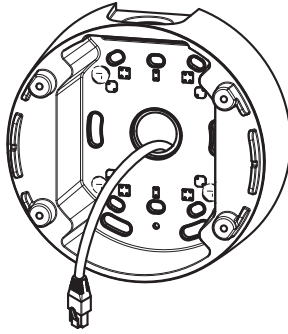
1x



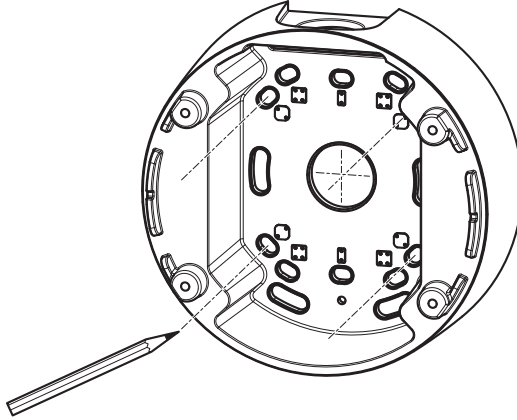
1x



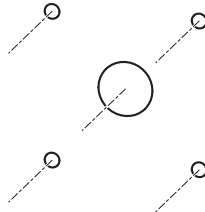
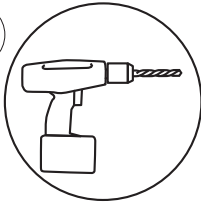
www.axis.com/warranty



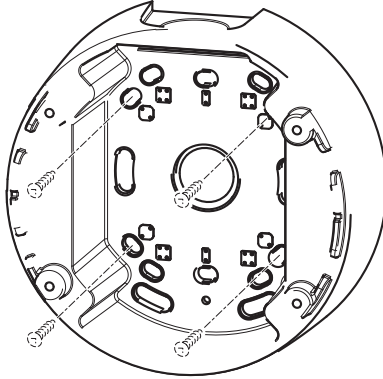
1



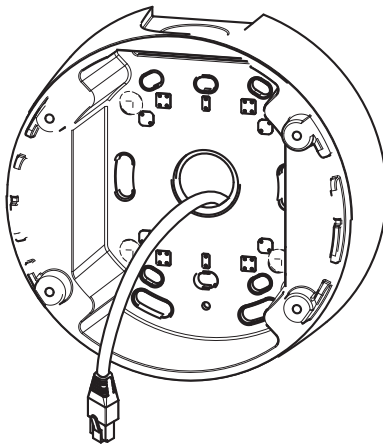
2



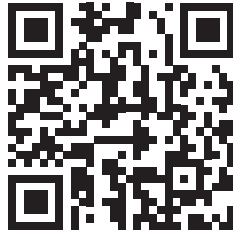
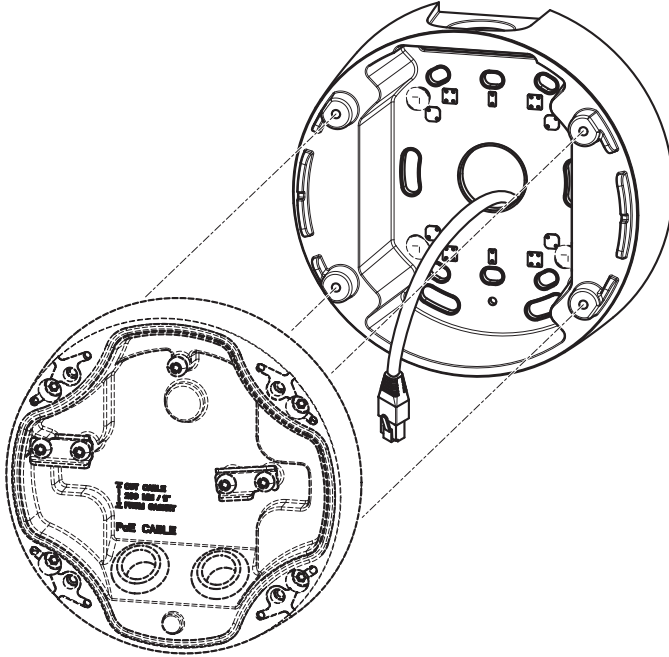
3



4

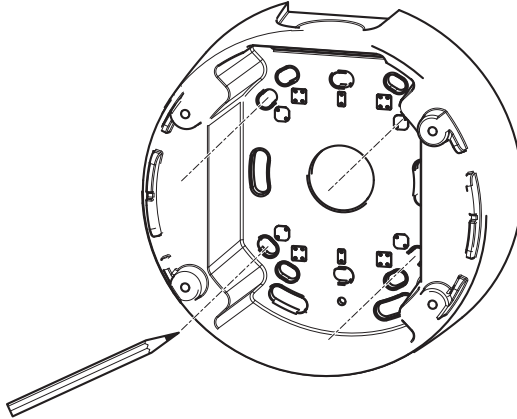


5

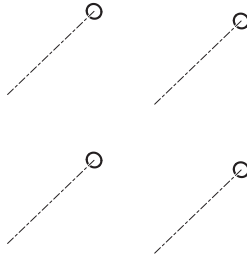
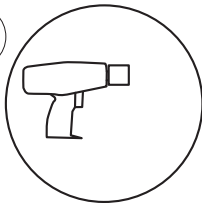


www.axis.com/products/cam_q17651e/

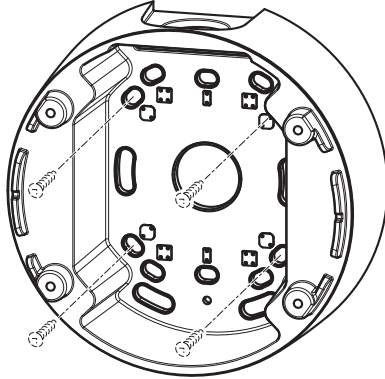
6



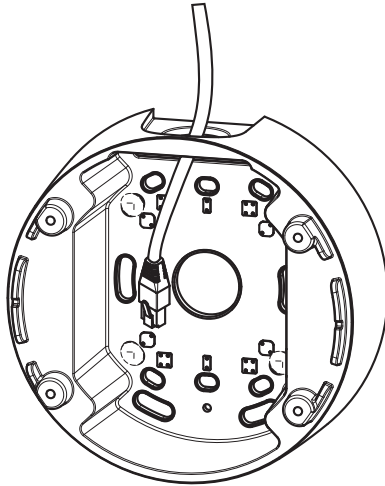
7



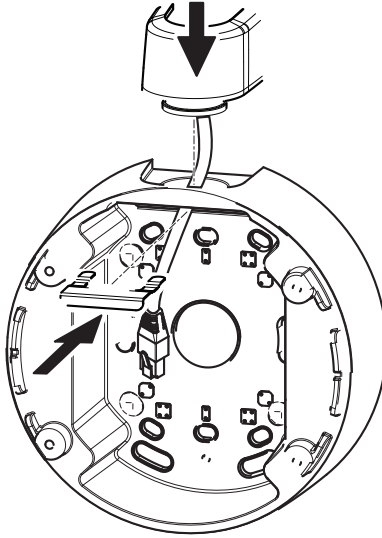
8



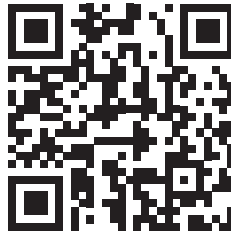
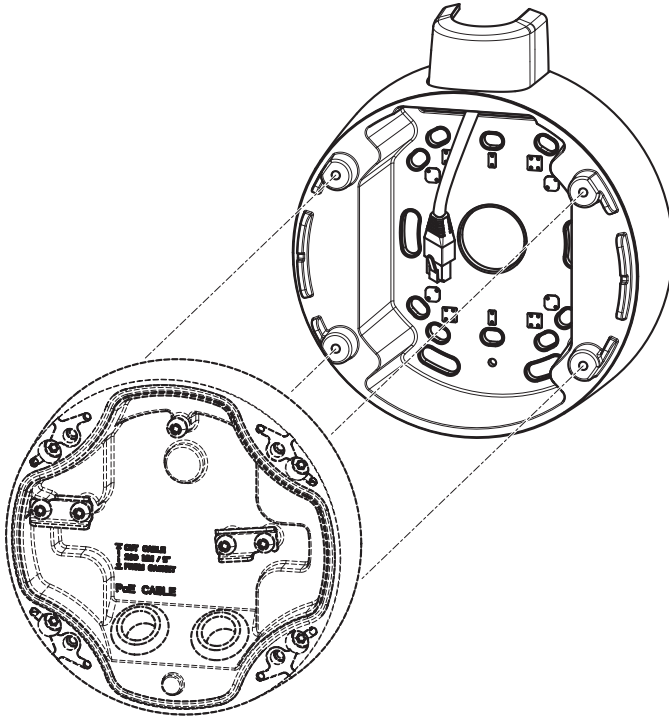
9



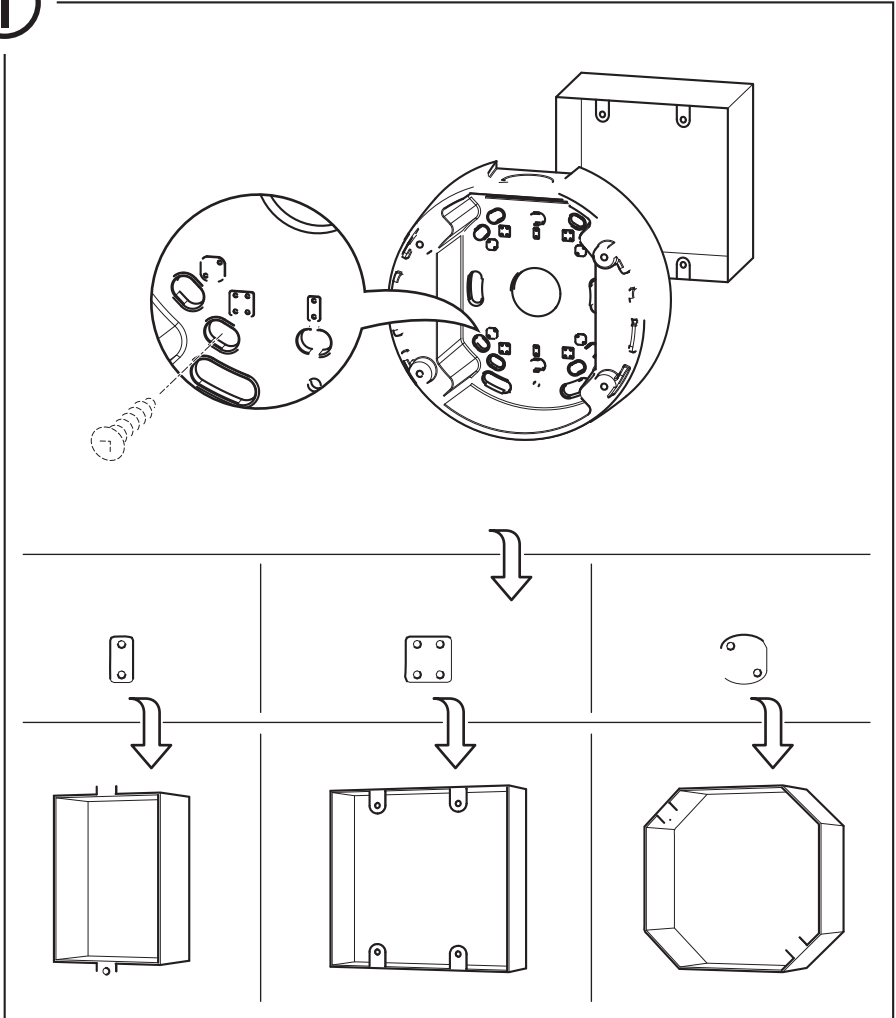
10



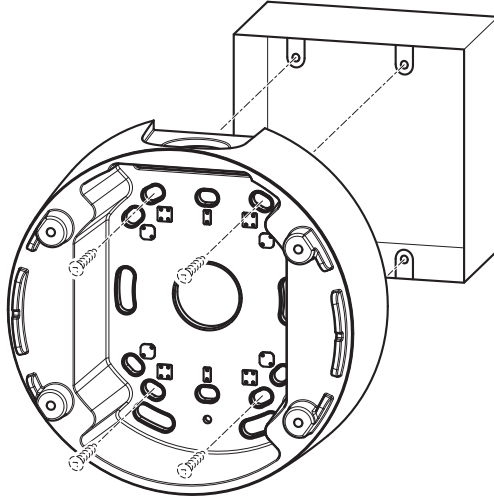
11



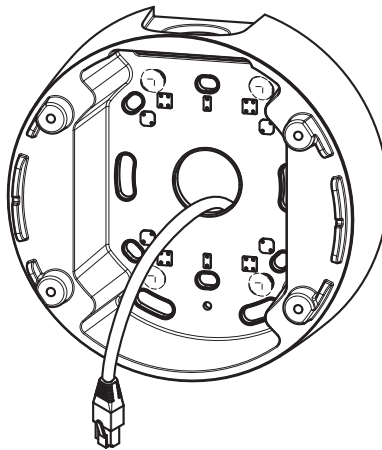
www.axis.com/products/cam_q1765le/



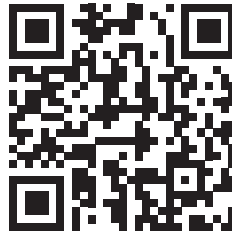
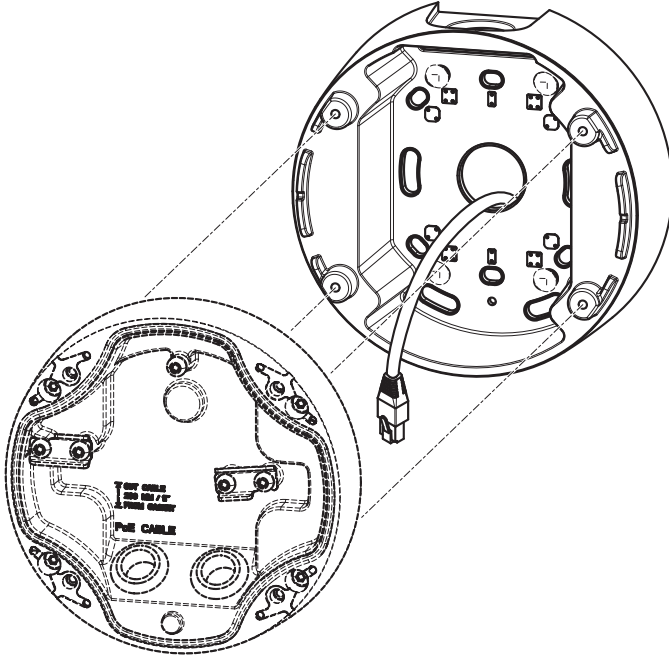
12



13



14



www.axis.com/products/cam_q1765le/

Installation Guide

AXIS T94G01P Conduit Back Box

© Axis Communications AB, 2014

Ver. 1.0

Printed: March 2014

Part No. 56415